

**NFPA<sup>®</sup>**

**15**

---

Standard for  
Water Spray  
Fixed Systems  
for Fire Protection

---

**2022**





بِسْمِ اللّٰهِ الرَّحْمٰنِ الرَّحِیْمِ

### خلاصه

در این مقاله تمامی عناوین استاندارد NFPA به فارسی ترجمه گردیده و نحوه مطالعه این استانداردها بیان شده است، در انتها لینک دانلود تمامی این استانداردها برای شما عزیزان قرار داده شده است تا تمامی شما سروران گرامی نیز از این گنجینه نفیس بهره‌مند شوید.

### گرد آورندگان

سید محمد حسینی

منصور مهدی زاده

**FREE**  
EDUFIRE.IR

چه عناوینی در استانداردهای NFPA است  
چطور استانداردهای NFPA را دانلود کنیم  
چگونه استانداردهای NFPA را بخوانیم

All **NFPA & FM** STANDARDS

EDUFIRE.IR **FREE**

(هرگونه کپی برداری بدون ذکر منبع مجاز نمی‌باشد)

(برای دانلود این مقاله به سایت ما مراجعه نمایید یا بر روی این صفحه کلیک نمایید)



## **IMPORTANT NOTICES AND DISCLAIMERS CONCERNING NFPA® STANDARDS**

NFPA® codes, standards, recommended practices, and guides (“NFPA Standards”), of which the document contained herein is one, are developed through a consensus standards development process approved by the American National Standards Institute. This process brings together volunteers representing varied viewpoints and interests to achieve consensus on fire and other safety issues. While the NFPA administers the process and establishes rules to promote fairness in the development of consensus, it does not independently test, evaluate, or verify the accuracy of any information or the soundness of any judgments contained in NFPA Standards.

The NFPA disclaims liability for any personal injury, property, or other damages of any nature whatsoever, whether special, indirect, consequential or compensatory, directly or indirectly resulting from the publication, use of, or reliance on NFPA Standards. The NFPA also makes no guaranty or warranty as to the accuracy or completeness of any information published herein.

In issuing and making NFPA Standards available, the NFPA is not undertaking to render professional or other services for or on behalf of any person or entity. Nor is the NFPA undertaking to perform any duty owed by any person or entity to someone else. Anyone using this document should rely on his or her own independent judgment or, as appropriate, seek the advice of a competent professional in determining the exercise of reasonable care in any given circumstances.

The NFPA has no power, nor does it undertake, to police or enforce compliance with the contents of NFPA Standards. Nor does the NFPA list, certify, test, or inspect products, designs, or installations for compliance with this document. Any certification or other statement of compliance with the requirements of this document shall not be attributable to the NFPA and is solely the responsibility of the certifier or maker of the statement.

### **REMINDER: UPDATING OF NFPA STANDARDS**

Users of NFPA codes, standards, recommended practices, and guides (“NFPA Standards”) should be aware that these documents may be superseded at any time by the issuance of a new edition, may be amended with the issuance of Tentative Interim Amendments (TIAs), or be corrected by Errata. It is intended that through regular revisions and amendments, participants in the NFPA standards development process consider the then-current and available information on incidents, materials, technologies, innovations, and methods as these develop over time and that NFPA Standards reflect this consideration. Therefore, any previous edition of this document no longer represents the current NFPA Standard on the subject matter addressed. NFPA encourages the use of the most current edition of any NFPA Standard [as it may be amended by TIA(s) or Errata] to take advantage of current experience and understanding. An official NFPA Standard at any point in time consists of the current edition of the document, including any issued TIAs and Errata then in effect.

To determine whether an NFPA Standard has been amended through the issuance of TIAs or corrected by Errata, visit the “Codes & Standards” section at [www.nfpa.org](http://www.nfpa.org).

## **ADDITIONAL IMPORTANT NOTICES AND DISCLAIMERS CONCERNING NFPA® STANDARDS**

### **Updating of NFPA Standards**

Users of NFPA codes, standards, recommended practices, and guides (“NFPA Standards”) should be aware that these documents may be superseded at any time by the issuance of a new edition, may be amended with the issuance of Tentative Interim Amendments (TIAs), or be corrected by Errata. It is intended that through regular revisions and amendments, participants in the NFPA standards development process consider the then-current and available information on incidents, materials, technologies, innovations, and methods as these develop over time and that NFPA Standards reflect this consideration. Therefore, any previous edition of this document no longer represents the current NFPA Standard on the subject matter addressed. NFPA encourages the use of the most current edition of any NFPA Standard [as it may be amended by TIA(s) or Errata] to take advantage of current experience and understanding. An official NFPA Standard at any point in time consists of the current edition of the document, including any issued TIAs and Errata then in effect.

To determine whether an NFPA Standard has been amended through the issuance of TIAs or corrected by Errata, visit the “Codes & Standards” section at [www.nfpa.org](http://www.nfpa.org).

### **Interpretations of NFPA Standards**

A statement, written or oral, that is not processed in accordance with Section 6 of the Regulations Governing the Development of NFPA Standards shall not be considered the official position of NFPA or any of its Committees and shall not be considered to be, nor be relied upon as, a Formal Interpretation.

### **Patents**

The NFPA does not take any position with respect to the validity of any patent rights referenced in, related to, or asserted in connection with an NFPA Standard. The users of NFPA Standards bear the sole responsibility for determining the validity of any such patent rights, as well as the risk of infringement of such rights, and the NFPA disclaims liability for the infringement of any patent resulting from the use of or reliance on NFPA Standards.

NFPA adheres to the policy of the American National Standards Institute (ANSI) regarding the inclusion of patents in American National Standards (“the ANSI Patent Policy”), and hereby gives the following notice pursuant to that policy:

NOTICE: The user’s attention is called to the possibility that compliance with an NFPA Standard may require use of an invention covered by patent rights. NFPA takes no position as to the validity of any such patent rights or as to whether such patent rights constitute or include essential patent claims under the ANSI Patent Policy. If, in connection with the ANSI Patent Policy, a patent holder has filed a statement of willingness to grant licenses under these rights on reasonable and nondiscriminatory terms and conditions to applicants desiring to obtain such a license, copies of such filed statements can be obtained, on request, from NFPA. For further information, contact the NFPA at the address listed below.

### **Law and Regulations**

Users of NFPA Standards should consult applicable federal, state, and local laws and regulations. NFPA does not, by the publication of its codes, standards, recommended practices, and guides, intend to urge action that is not in compliance with applicable laws, and these documents may not be construed as doing so.

### **Copyrights**

NFPA Standards are copyrighted. They are made available for a wide variety of both public and private uses. These include both use, by reference, in laws and regulations, and use in private self-regulation, standardization, and the promotion of safe practices and methods. By making these documents available for use and adoption by public authorities and private users, the NFPA does not waive any rights in copyright to these documents.

Use of NFPA Standards for regulatory purposes should be accomplished through adoption by reference. The term “adoption by reference” means the citing of title, edition, and publishing information only. Any deletions, additions, and changes desired by the adopting authority should be noted separately in the adopting instrument. In order to assist NFPA in following the uses made of its documents, adopting authorities are requested to notify the NFPA (Attention: Secretary, Standards Council) in writing of such use. For technical assistance and questions concerning adoption of NFPA Standards, contact NFPA at the address below.

### **For Further Information**

All questions or other communications relating to NFPA Standards and all requests for information on NFPA procedures governing its codes and standards development process, including information on the procedures for requesting Formal Interpretations, for proposing Tentative Interim Amendments, and for proposing revisions to NFPA standards during regular revision cycles, should be sent to NFPA headquarters, addressed to the attention of the Secretary, Standards Council, NFPA, 1 Batterymarch Park, P.O. Box 9101, Quincy, MA 02269-9101; email: [stds\\_admin@nfpa.org](mailto:stds_admin@nfpa.org).

For more information about NFPA, visit the NFPA website at [www.nfpa.org](http://www.nfpa.org). All NFPA codes and standards can be viewed at no cost at [www.nfpa.org/docinfo](http://www.nfpa.org/docinfo).

Copyright © 2021 National Fire Protection Association®. All Rights Reserved.

## NFPA® 15

### Standard for

## Water Spray Fixed Systems for Fire Protection

### 2022 Edition

This edition of NFPA 15, *Standard for Water Spray Fixed Systems for Fire Protection*, was prepared by the Technical Committee on Water Spray Fixed Systems. It was issued by the Standards Council on November 26, 2020, with an effective date of December 16, 2020, and supersedes all previous editions.

This edition of NFPA 15 was approved as an American National Standard on December 16, 2020.

### Origin and Development of NFPA 15

*Standard for Water Spray Fixed Systems for Fire Protection*, formerly *Water Spray Nozzles and Extinguishing Systems*, first prepared by the Committee on Manufacturing Hazards, was tentatively adopted in 1939, with final adoption in 1940. Subsequently, the standard was placed under the jurisdiction of the Committee on Special Extinguishing Systems, and a new edition was adopted in 1947. In 1959, the committee organization was further changed to place primary responsibility in the hands of the Committee on Water Spray, under the general supervision of the General Committee on Special Extinguishing Methods. In 1966, the General Committee on Special Extinguishing Methods was discontinued, and the Committee on Water Spray was constituted as an independent committee. Revised editions were presented in 1969, 1973, 1977, 1979, and 1982.

The 1985 edition incorporated several technical changes concerning special piping provisions. The format of the document was also changed to more closely follow the *NFPA Manual of Style*.

Given the limited changes in water spray technology over the past few years, it was apparent that the 1985 edition could be reconfirmed with referenced publications being updated.

The 1996 edition represented a complete reorganization of the standard. Information was rearranged in a more functional and concise format to improve the usability of the document. Other major changes included a new chapter on high-speed systems and revised requirements for spray nozzles, piping protection, spacing of pilot sprinklers, discharge densities, and design calculations.

The 2001 edition represented a complete reorganization of the standard to conform to the requirements of the 2000 edition of the *NFPA Manual of Style for Technical Committee Documents*.

The 2007 edition incorporated welding requirements for pipe and fittings and also coordinated requirements for fire department connections with NFPA 13, *Standard for the Installation of Sprinkler Systems*.

The 2012 edition provided updated rules for grooved couplings to comply with changes in the 2010 edition of NFPA 13. Other changes included an expanded section on designing for flammable vapor mitigation and the addition of contractor's material and test certificates.

The 2017 edition revised pipe support requirements and incorporated several new tables. In an effort to align this standard with NFPA 13 and NFPA 20, a 12-month limitation on water flow test information was added in addition to requirements for hydraulic design information signs and general information signs. The standard also added a requirement that a hazard analysis be performed on the physical and chemical properties of materials and that the layout, design, and installation be performed by qualified persons. New definitions for *hazard analysis* and *qualified* were also added.

The 2022 edition incorporates new requirements for system operational acceptance tests' pressure reading procedures. Vapor cloud explosion is now required to be considered for vapor mitigation fire risk analysis. Other changes include an update of contractor's material and test certificates, clarification of remote location for hydraulic calculations, and allowance of multiple detector voting systems to reduce accidental activation.

## Technical Committee on Water Spray Fixed Systems

**Tracey D. Bellamy**, *Chair*  
Telgian Corporation, GA [SE]

**Robert M. Gagnon**, *Secretary*  
Gagnon Engineering, MD [SE]

**Luis F. Arango**, Global Asset Protection Services, LLC, TX [I]

**Roland A. Asp**, National Fire Sprinkler Association, Inc., MD [IM]  
Rep. National Fire Sprinkler Association

**Kerry M. Bell**, UL LLC, IL [RT]  
Rep. UL LLC

**Michael J. Bosma**, The Viking Corporation, MI [M]  
Rep. National Fire Sprinkler Association

**Kevin F. Carrier**, Miami-Dade Fire Rescue Department, FL [E]

**Miheer Ghotikar**, HD Fire Protect Pvt. Ltd., India [M]

**Eric Grein**, Westinghouse Electric Company, SC [U]

**Russell J. Hardy**, RSF Local 669, KS [L]  
Rep. United Assn. of Journeymen and Apprentices of the  
Plumbing and Pipe Fitting Industry

**Scott D. Henderson**, Allianz, MA [I]

**Malik Shahid Hussain Awan**, JGC Gulf International, Saudi Arabia  
[SE]

**James M. Maddry**, James M. Maddry, P.E., GA [SE]

**Randall A. McCune**, Tri-State Fire Protection, Inc., IN [IM]

**E. Parks Moore**, S & S Sprinkler Company, LLC, AL [IM]  
Rep. American Fire Sprinkler Association

**David A. Moore, Jr.**, Glendale Fire Department, OH [E]

**John H. Pecot**, Johnson Controls, TX [M]

**Justin A. Perry**, Dominion Energy, VA [U]  
Rep. Edison Electric Institute

**Richard Philbrick**, Shell Oil Company, TX [U]  
Rep. American Petroleum Institute

**Matt Pognant**, Liberty Mutual Property, GA [I]

**Edward A. Ramirez**, IHI E&C, TX [SE]

**Joseph Radford Sellers**, US Department of Energy, TN [U]

**James R. Streit**, Los Alamos National Laboratory, NM [U]

**Jeffery W. Sutton**, TUV SUD America Inc./Global Risk Consultants  
Corporation, MN [SE]

**Dennis W. Taylor**, Dooley Tackaberry, Inc., TX [IM]

**Christopher Wayne West**, Eastman Chemical Company, TX [M]

**Michael J. Wojcik**, JENSEN HUGHES, AZ [SE]  
Rep. JENSEN HUGHES

**Jarrett Zuspan**, State of Alaska Department of Public Safety, AK [E]

### Alternates

**Gregory A. Bartels**, Sprinkler Fitters LU 669-JATC, MD [L]  
(Alt. to Russell J. Hardy)

**Ralph E. Bless, Jr.**, Telgian Corporation, GA [SE]  
(Alt. to Tracey D. Bellamy)

**Lawrence H. Cook**, WorleyParsons, Inc., TX [SE]  
(Voting Alt.)

**James S. Crews**, Allianz, GA [I]  
(Alt. to Scott D. Henderson)

**Bruce J. Curatola**, Calpine Corporation, TX [U]  
(Alt. to Justin A. Perry)

**Jeffrey S. Grove**, JENSEN HUGHES, NV [SE]  
(Alt. to Michael J. Wojcik)

**Jason Erik Hanson**, Dooley Tackaberry Inc, TX [IM]  
(Alt. to Dennis W. Taylor)

**Jeff Hebenstreit**, UL LLC, IL [RT]  
(Alt. to Kerry M. Bell)

**Baran Ozden**, NFPA Staff Liaison

**Michael W. Hembree**, Liberty Mutual Insurance Company, IL [I]  
(Alt. to Matt Pognant)

**Edward F. Kadlec**, C. L. Doucette, Inc., IL [IM]  
(Alt. to Roland A. Asp)

**Joseph A. Lynch**, Swiss Re, GA [I]  
(Alt. to Luis F. Arango)

**Elmer Revilla**, Chevron, TX [U]  
(Alt. to Richard Philbrick)

**Terry L. Victor**, Johnson Controls, MD [M]  
(Alt. to John H. Pecot)

**John F. Viola**, JFV Engineering, LLC, MA [IM]  
(Alt. to E. Parks Moore)

**Cary Webber**, Reliable Automatic Sprinkler, SC [M]  
(Alt. to Michael J. Bosma)

*This list represents the membership at the time the Committee was balloted on the final text of this edition. Since that time, changes in the membership may have occurred. A key to classifications is found at the back of the document.*

NOTE: Membership on a committee shall not in and of itself constitute an endorsement of the Association or any document developed by the committee on which the member serves.

**Committee Scope:** This Committee shall have primary responsibility for documents on the design, construction, installation, and test of fixed water spray systems for fire protection purposes.

## Contents

<b>Chapter 1 Administration</b> .....	15- 5	<b>Chapter 7 Design Objectives</b> .....	15- 20
1.1 Scope. ....	15- 5	7.1 System Design. ....	15- 20
1.2 Purpose. ....	15- 5	7.2 Extinguishment. ....	15- 20
1.3 Application. ....	15- 5	7.3 Control of Burning. ....	15- 21
1.4 Retroactivity. ....	15- 5	7.4 Exposure Protection. ....	15- 21
1.5 Equivalency. ....	15- 5	7.5 Flammable Vapor Mitigation. ....	15- 23
1.6 Units and Formulas. ....	15- 5	7.6 Combined Systems. ....	15- 23
7.7 Automatic Detection Equipment. ....		15- 23	
<b>Chapter 2 Referenced Publications</b> .....	15- 6	<b>Chapter 8 Plans and Hydraulic Calculations</b> .....	15- 24
2.1 General. ....	15- 6	8.1 General. ....	15- 24
2.2 NFPA Publications. ....	15- 6	8.2 Working Plans. ....	15- 24
2.3 Other Publications. ....	15- 6	8.3 Hydraulic Calculations. ....	15- 24
2.4 References for Extracts in Mandatory Sections. ...	15- 7	8.4 Water Supply Information. ....	15- 25
<b>Chapter 3 Definitions</b> .....	15- 7	8.5 Hydraulic Calculation Procedures. ....	15- 25
3.1 General. ....	15- 7	<b>Chapter 9 Water Supplies</b> .....	15- 27
3.2 NFPA Official Definitions. ....	15- 7	9.1 General. ....	15- 27
3.3 General Definitions. ....	15- 7	9.2 Volume and Pressure. ....	15- 27
<b>Chapter 4 General Requirements</b> .....	15- 8	9.3 Acceptable Water Supply Systems. ....	15- 27
4.1 Design Objectives. ....	15- 8	<b>Chapter 10 System Acceptance</b> .....	15- 27
4.2 Special Considerations. ....	15- 8	10.1 Certification. ....	15- 27
4.3 Qualifications. ....	15- 8	10.2 Flushing of Supply Pipe. ....	15- 28
4.4 Control of Runoff. ....	15- 8	10.3 Hydrostatic Pressure Tests. ....	15- 28
4.5 Flammable and Combustible Liquids. ....	15- 9	10.4 Operating Tests. ....	15- 28
<b>Chapter 5 System Components</b> .....	15- 9	10.5 Hydraulic Design Information Sign. ....	15- 28
5.1 General. ....	15- 9	10.6 General Information Sign. ....	15- 28
5.2 Water Spray Nozzles. ....	15- 9	<b>Chapter 11 System Inspection, Testing, and</b>	
5.3 Pipe and Tube. ....	15- 10	<b>Maintenance</b> .....	15- 35
5.4 Fittings. ....	15- 11	11.1 General. ....	15- 35
5.5 Joining of Pipe and Fittings. ....	15- 11	<b>Chapter 12 Ultra-High-Speed Water Spray Systems</b> .....	15- 35
5.6 Hangers. ....	15- 13	12.1 General. ....	15- 35
5.7 Valves. ....	15- 13	12.2 Response Time. ....	15- 35
5.8 Pressure Gauges. ....	15- 13	12.3 Design Considerations. ....	15- 35
5.9 Strainers. ....	15- 13	12.4 System Acceptance. ....	15- 37
5.10 Fire Department Connections. ....	15- 14	12.5 Testing and Maintenance. ....	15- 37
5.11 Alarms. ....	15- 14	<b>Annex A Explanatory Material</b> .....	15- 37
5.12 Detection Systems. ....	15- 14	<b>Annex B Hydraulic Calculations</b> .....	15- 58
<b>Chapter 6 Installation Requirements</b> .....	15- 14	<b>Annex C Informational References</b> .....	15- 73
6.1 Basic Requirements. ....	15- 14	<b>Index</b> .....	15- 74
6.2 Water Spray Nozzles. ....	15- 14		
6.3 Piping Installation. ....	15- 15		
6.4 System Attachments. ....	15- 18		
6.5 Automatic Detection Equipment. ....	15- 18		



## NFPA 15

## Standard for

## Water Spray Fixed Systems for Fire Protection

2022 Edition

**IMPORTANT NOTE:** This NFPA document is made available for use subject to important notices and legal disclaimers. These notices and disclaimers appear in all publications containing this document and may be found under the heading “Important Notices and Disclaimers Concerning NFPA Standards.” They can also be viewed at [www.nfpa.org/disclaimers](http://www.nfpa.org/disclaimers) or obtained on request from NFPA.

**UPDATES, ALERTS, AND FUTURE EDITIONS:** New editions of NFPA codes, standards, recommended practices, and guides (i.e., NFPA Standards) are released on scheduled revision cycles. This edition may be superseded by a later one, or it may be amended outside of its scheduled revision cycle through the issuance of Tentative Interim Amendments (TIAs). An official NFPA Standard at any point in time consists of the current edition of the document, together with all TIAs and Errata in effect. To verify that this document is the current edition or to determine if it has been amended by TIAs or Errata, please consult the National Fire Codes® Subscription Service or the “List of NFPA Codes & Standards” at [www.nfpa.org/docinfo](http://www.nfpa.org/docinfo). In addition to TIAs and Errata, the document information pages also include the option to sign up for alerts for individual documents and to be involved in the development of the next edition.

**NOTICE:** An asterisk (\*) following the number or letter designating a paragraph indicates that explanatory material on the paragraph can be found in Annex A.

A reference in brackets [ ] following a section or paragraph indicates material that has been extracted from another NFPA document. Extracted text may be edited for consistency and style and may include the revision of internal paragraph references and other references as appropriate. Requests for interpretations or revisions of extracted text shall be sent to the technical committee responsible for the source document.

Information on referenced and extracted publications can be found in Chapter 2 and Annex C.

## Chapter 1 Administration

## 1.1 Scope.

**1.1.1** This standard provides the minimum requirements for the design, installation, and system acceptance testing of water spray fixed systems for fire protection service and the minimum requirements for the periodic testing and maintenance of ultra-high-speed water spray fixed systems.

**1.1.2\*** Water spray fixed systems shall be specifically designed to provide for effective fire control, extinguishment, prevention, or exposure protection.

**1.1.3\*** This standard shall not apply to water spray protection from portable nozzles, sprinkler systems, monitor nozzles, water mist suppression systems, explosion suppression, or other means of application covered by other standards of NFPA.

**1.2 Purpose.** The purpose of this standard shall be to provide the minimum requirements for water spray fixed systems based on sound engineering principles, test data, and field experience.

## 1.3 Application.

**1.3.1** Water spray is applicable for protection of specific hazards and equipment and shall be permitted to be installed independently of, or supplementary to, other forms of fire protection systems or equipment.

**1.3.2** Water spray protection is acceptable for the protection of hazards involving each of the following groups:

- (1) Gaseous and liquid flammable materials
- (2) Electrical hazards such as transformers, oil switches, motors, cable trays, and cable runs
- (3) Ordinary combustibles such as paper, wood, and textiles
- (4) Certain hazardous solids such as propellants and pyrotechnics
- (5) Vapor mitigation

**1.4 Retroactivity.** The provisions of this standard reflect a consensus of what is necessary to provide an acceptable degree of protection from the hazards addressed in this standard at the time the standard was issued.

**1.4.1** Unless otherwise specified, the provisions of this standard shall not apply to facilities, equipment, structures, or installations that existed or were approved for construction or installation prior to the effective date of the standard. Where specified, the provisions of this standard shall be retroactive.

**1.4.2** In those cases where the authority having jurisdiction determines that the existing situation presents an unacceptable degree of risk, the authority having jurisdiction shall be permitted to apply retroactively any portions of this standard deemed appropriate.

**1.4.3** The retroactive requirements of this standard shall be permitted to be modified if their application clearly would be impractical in the judgment of the authority having jurisdiction, and only where it is clearly evident that a reasonable degree of safety is provided.

**1.5 Equivalency.** Nothing in this standard is intended to prevent the use of systems, methods, or devices of equivalent or superior quality, strength, fire resistance, effectiveness, durability, and safety over those prescribed by this standard. Technical documentation shall be submitted to the authority having jurisdiction to demonstrate equivalency. The system, method, or device shall be approved for the intended purpose by the authority having jurisdiction.

## 1.6 Units and Formulas.

**1.6.1** Metric units of measurement in this standard are in accordance with the modernized metric system known as the International System of Units (SI). Two units (liter and bar), outside of but recognized by SI, are commonly used in international fire protection. These units are listed in Table 1.6.1, with conversion factors.

**1.6.2** If a value for measurement as given in this standard is followed by an equivalent value in another unit, the first stated shall be regarded as the requirement. A given equivalent value might be approximate.

**1.6.3** The conversion procedure for the SI units has been to multiply the quantity by the conversion factor and then to round the result to the appropriate number of significant digits.

**Table 1.6.1 Unit Conversions**

Name of Unit	Unit Symbol	Conversion Factor
Liter	L	1 gal = 3.785 L
Liter per minute per square meter	(L/min)/m <sup>2</sup>	1 gpm/ft <sup>2</sup> = 40.746 (L/min)/m <sup>2</sup>
Cubic decimeter	dm <sup>3</sup>	1 gal = 3.785 dm <sup>3</sup>
Pascal	Pa	1 psi = 6894.757 Pa
Bar	bar	1 psi = 0.0689 bar
Bar	bar	1 bar = 10 <sup>5</sup> Pa

Note: For additional conversions and information see IEEE/ASTM SI-10, *American National Standard for Metric Practice*.

## Chapter 2 Referenced Publications

**2.1 General.** The documents or portions thereof listed in this chapter are referenced within this standard and shall be considered part of the requirements of this document.

**2.2 NFPA Publications.** National Fire Protection Association, 1 Batterymarch Park, Quincy, MA 02169-7471.

NFPA 13, *Standard for the Installation of Sprinkler Systems*, 2019 edition.

NFPA 20, *Standard for the Installation of Stationary Pumps for Fire Protection*, 2019 edition.

NFPA 22, *Standard for Water Tanks for Private Fire Protection*, 2018 edition.

NFPA 24, *Standard for the Installation of Private Fire Service Mains and Their Appurtenances*, 2019 edition.

NFPA 25, *Standard for the Inspection, Testing, and Maintenance of Water-Based Fire Protection Systems*, 2020 edition.

NFPA 30, *Flammable and Combustible Liquids Code*, 2021 edition.

NFPA 51B, *Standard for Fire Prevention During Welding, Cutting, and Other Hot Work*, 2019 edition.

NFPA 70®, *National Electrical Code*®, 2020 edition.

NFPA 72®, *National Fire Alarm and Signaling Code*®, 2019 edition.

NFPA 1963, *Standard for Fire Hose Connections*, 2019 edition.

### 2.3 Other Publications.

**2.3.1 ASME Publications.** American Society of Mechanical Engineers, Two Park Avenue, New York, NY 10016-5990.

ANSI/ASME B1.20.1, *Pipe Threads, General Purpose*, 2013.

ASME B16.1, *Gray Iron Pipe Flanges and Flanged Fittings*, 2015.

ASME B16.3, *Malleable Iron Threaded Fittings Classes 150 and 300*, 2016.

ASME B16.4, *Gray Iron Threaded Fittings Classes 125 and 250*, 2016.

ASME B16.5, *Pipe Flanges and Flanged Fittings*, 2017.

ASME B16.9, *Factory-Made Wrought Steel Butt-Welding Fittings*, 2018.

ASME B16.11, *Forged Fittings, Socket-Welding and Threaded*, 2016.

ASME B16.18, *Cast Copper Alloy Solder Joint Pressure Fittings*, 2018.

ASME B16.22, *Wrought Copper and Copper Alloy Solder Joint Pressure Fittings*, 2018.

ASME B16.25, *Butt-Welding Ends*, 2017.

ASME B36.10M, *Welded and Seamless Wrought Steel Pipe*, 2018.

ASME B36.19M, *Stainless Steel Pipe*, 2018.

*Boiler and Pressure Vessel Code (BPVC)*, Section IX, *Welding, Brazing, and Fusing Qualifications*, 2019.

**2.3.2 ASTM Publications.** ASTM International, 100 Barr Harbor Drive, P.O. Box C700, West Conshohocken, PA 19428-2959.

ASTM A53/A53M, *Standard Specification for Pipe, Steel, Black and Hot-Dipped, Zinc-Coated, Welded and Seamless*, 2018.

ASTM A135/A135M, *Standard Specification for Electric-Resistance-Welded Steel Pipe*, 2019.

ASTM A182/A182M, *Standard Specification for Forged or Rolled Alloy-Steel Pipe Flanges, Forged Fittings, and Valves and Parts for High-Temperature Service*, 2019.

ASTM A234/A234M, *Standard Specification for Piping Fittings of Wrought Carbon Steel and Alloy Steel for Moderate and High Temperature Service*, 2019.

ASTM A312/A312M, *Standard Specification for Seamless Welded and Heavily Cold Worked Austenitic Stainless Steel Pipes*, 2019.

ASTM A536, *Standard Specification for Ductile Iron Castings*, 2019.

ASTM A795/A795M, *Standard Specification for Black and Hot-Dipped Zinc-Coated (Galvanized) Welded and Seamless Steel Pipe for Fire Protection Use*, 2013.

ASTM B75/B75M, *Standard Specification for Seamless Copper Tube*, 2019.

ASTM B88, *Standard Specification for Seamless Copper Water Tube*, 2016.

ASTM B251, *Standard Specification for General Requirements for Wrought Seamless Copper and Copper-Alloy Tube*, 2010.

ASTM D323, *Standard Test Method for Vapor Pressure of Petroleum Products (Reid Method)*, 2015.

**2.3.3 AWS Publications.** American Welding Society, 8669 N W 36 Street, #130, Miami, FL 33166-6672.

AWS A5.8/A5.8M, *Specification for Filler Metals for Brazing and Braze Welding*, 2019.

AWS B2.1/B2.1M, *Specification for Welding Procedures and Performance Qualification*, 2014.

AWS B2.2/B2.2M, *Standard for Brazing Procedure and Performance Qualification*, 2016.

**2.3.4 IEEE Publications.** IEEE, 3 Park Avenue, 17th Floor, New York, NY 10016-5997.

IEEE/ASTM SI-10, *American National Standard for Metric Practice*, 2016.

IEEE C2, *National Electrical Safety Code*, 2017.

### 2.3.5 Other Publications.

*Merriam-Webster's Collegiate Dictionary*, 11th edition, Merriam-Webster, Inc., Springfield, MA, 2003.

### 2.4 References for Extracts in Mandatory Sections.

NFPA 13, *Standard for the Installation of Sprinkler Systems*, 2019 edition.

NFPA 24, *Standard for the Installation of Private Fire Service Mains and Their Appurtenances*, 2019 edition.

NFPA 25, *Standard for the Inspection, Testing, and Maintenance of Water-Based Fire Protection Systems*, 2020 edition.

## Chapter 3 Definitions

**3.1 General.** The definitions contained in this chapter shall apply to the terms used in this standard. Where terms are not defined in this chapter or within another chapter, they shall be defined using their ordinarily accepted meanings within the context in which they are used. *Merriam-Webster's Collegiate Dictionary*, 11th edition, shall be the source for the ordinarily accepted meaning.

### 3.2 NFPA Official Definitions.

**3.2.1\* Approved.** Acceptable to the authority having jurisdiction.

**3.2.2\* Authority Having Jurisdiction (AHJ).** An organization, office, or individual responsible for enforcing the requirements of a code or standard, or for approving equipment, materials, an installation, or a procedure.

**3.2.3\* Listed.** Equipment, materials, or services included in a list published by an organization that is acceptable to the authority having jurisdiction and concerned with evaluation of products or services, that maintains periodic inspection of production of listed equipment or materials or periodic evaluation of services, and whose listing states that either the equipment, material, or service meets appropriate designated standards or has been tested and found suitable for a specified purpose.

**3.2.4 Shall.** Indicates a mandatory requirement.

**3.2.5 Should.** Indicates a recommendation or that which is advised but not required.

**3.2.6 Standard.** An NFPA Standard, the main text of which contains only mandatory provisions using the word "shall" to indicate requirements and that is in a form generally suitable for mandatory reference by another standard or code or for adoption into law. Nonmandatory provisions are not to be considered a part of the requirements of a standard and shall be located in an appendix, annex, footnote, informational note, or other means as permitted in the NFPA Manuals of Style. When used in a generic sense, such as in the phrase "standards development process" or "standards development activities," the term "standards" includes all NFPA Standards, including Codes, Standards, Recommended Practices, and Guides.

### 3.3 General Definitions.

**3.3.1 Combined System.** A system of piping that connects both sprinklers and water spray nozzles in a common fire area, and is supplied by a single riser and system actuation valve.

**3.3.2\* Combustible Liquid.** Any liquid that has a closed-cup flash point at or above 100°F (37.8°C), as determined by the appropriate test procedures and apparatus.

**3.3.3 Control of Burning.** Application of water spray to equipment or areas where a fire can occur to control the rate of burning and thereby limit the heat release from a fire until the fuel can be eliminated or extinguishment effected.

**3.3.4 Deflagration.** Propagation of a combustion zone at a velocity that is less than the speed of sound in the unreacted medium.

**3.3.5 Density.** The unit rate of water application to an area or surface expressed in gpm/ft<sup>2</sup> [(L/min)/m<sup>2</sup>].

### 3.3.6 Detection Equipment.

**3.3.6.1 Automatic Detection Equipment.** Equipment that automatically detects heat, flame, products of combustion, flammable gases, or other conditions likely to produce fire or explosion and cause other automatic actuation of alarm and protection equipment. [25, 2020]

**3.3.6.2 Flammable Gas Detection Equipment.** Equipment that will automatically detect a percent volume concentration of a flammable gas or vapor relative to a predetermined level.

**3.3.7 Detonation.** Propagation of a combustion zone at a velocity that is greater than the speed of sound in the unreacted medium.

**3.3.8 Electrical Clearance.** The air distance between the water spray equipment, including piping and nozzles, and unenclosed or uninsulated live electrical components at other than ground potential.

**3.3.9 Exposure Protection.** Absorption of heat through application of water spray to structures or equipment exposed to a fire, to limit surface temperature to a level that will minimize damage and prevent failure.

**3.3.10\* Fire Area.** For the purpose of this standard, an area that is physically separated from other areas by space, barriers, walls, or other means.

**3.3.11\* Flammable Liquid.** Any liquid that has a closed-cup flash point below 100°F (37.8°C), as determined by the appropriate test procedures and apparatus.

**3.3.12 Hazard Analysis.** An approved assessment performed by personnel knowledgeable of a particular process and the specific hazards of the material.

**3.3.13 Impingement.** The striking of a protected surface by water droplets issuing directly from a water spray nozzle.

### 3.3.14 Insulation.

**3.3.14.1\* Insulated.** Refers to equipment, structures, or vessels provided with an encapsulating material that, for the expected duration of fire exposure, will limit steel temperatures to a maximum of 850°F (454°C) for structural members or 650°F (343°C) for vessels. The insulation system shall be: (1) noncombustible and fire retardant; (2) mildew and weather resistant; (3) resistant to the force of hose streams; and (4) secured by fire and corrosion-resistant fastenings.

**3.3.14.2 Uninsulated.** Refers to equipment, structures, or vessels not provided with an encapsulating material that meets the requirements defined as “insulated.”

**3.3.15 Net Rate.** The total rate of water discharge density, less water wastage due to factors such as wind effects and inaccuracies in nozzle angles of spray.

**3.3.16\* Nonabsorbing Ground.** Earth or fill that is not readily permeable or absorbent to large quantities of flammable or combustible liquid or water, or both.

**3.3.17 Pilot Sprinkler.** An automatic sprinkler or thermostatic fixed temperature release device used as a detector to pneumatically or hydraulically release the system actuation valve.

**3.3.18 Qualified.** A competent and capable person or company that has met the requirements and training for a given field acceptable to the AHJ.

**3.3.19 Rundown.** The downward travel of water along a surface, caused by the momentum of the water or by gravity.

**3.3.20 Ultra-High-Speed Water Spray System.** A type of automatic water spray system where water spray is rapidly applied to protect specific hazards where deflagrations are anticipated.

**3.3.20.1 Ultra-High-Speed Water Spray System — Area Application.** The application of ultra-high-speed water spray over a specific floor area or over the surface area of a specific object.

**3.3.20.2 Ultra-High-Speed Water Spray System — Local Application.** The application of ultra-high-speed water spray on a specific point or points of ignition, such as cutting, mixing, or grinding operations.

**3.3.21 Valve.**

**3.3.21.1 Deluge Valve.** A type of system actuation valve that is opened by the operation of a detection system installed in the same areas as the spray nozzles or by remote manual operation supplying water to all spray nozzles.

**3.3.21.2 System Actuation Valve.** The main valve that controls the flow of water into the water spray system.

**3.3.22 Water Spray.** Water in a form having a predetermined pattern, particle size, velocity, and density discharge from specially designed nozzles or devices.

**3.3.23 Water Spray Nozzle.**

**3.3.23.1 Automatic Water Spray Nozzle.** A nozzle intended to open automatically by operation of a heat responsive element that maintains the discharge orifice closed by means such as the exertion of force on a cap (button or disc), that when discharging water under pressure, will distribute the water in a specific, directional pattern.

**3.3.23.2\* Open Water Spray Nozzle.** An open water discharge device that, when discharging water under pressure, will distribute the water in a specific, directional pattern.

**3.3.24\* Water Spray System.** An automatic or manually actuated fixed pipe system connected to a water supply and equipped with water spray nozzles designed to provide a specific water discharge and distribution over the protected surfaces or area.

**3.3.25\* Water Wastage.** That discharge from water spray nozzles that does not impinge on the surface being protected.

## Chapter 4 General Requirements

**4.1\* Design Objectives.** In general, water spray shall be considered effective for any one of or a combination of the following objectives (*see Chapter 7*):

- (1) Extinguishment of fire
- (2) Control of burning
- (3) Exposure protection
- (4) Prevention of fire

**4.2 Special Considerations.**

**4.2.1** A hazard analysis shall be made of the physical and chemical properties of the materials for which the water spray protection is being considered.

**4.2.2** The flash point, specific gravity, viscosity, miscibility, and solubility and permeability of the material, temperature of the water spray, and the normal temperature of the hazard to be protected are among the factors that shall be given consideration.

**4.2.3\*** Where water spray can encounter confined materials at a high temperature or with a wide distillation range, the slop-over or frothing hazard shall be evaluated.

**4.2.4 Water Soluble Materials.**

**4.2.4.1** Where protecting water soluble materials, such as alcohol, systems shall be permitted to be designed for extinguishment by control, extinguishment by dilution, or extinguishment by an adequate application rate and coverage.

**4.2.4.2** Each water soluble material shall be tested under the conditions of use to determine the applicability of a water spray system, unless design supportive data is available.

**4.2.5\*** Water spray shall not be used for direct application to materials that react with water, such as metallic sodium or calcium carbide, which produce violent reactions or increase hazardous products as a result of heated vapor emission.

**4.2.6** Water spray shall not be used for applications involving liquefied gases at cryogenic temperatures (such as liquefied natural gas), which boil violently when heated by water.

**4.2.7** An evaluation shall be conducted, given the possibility of damage, distortion, or failure of equipment operating at high temperatures due to water spray application.

**4.3\* Qualifications.** Water spray system design, layout, and installation shall be performed by qualified persons.

**4.4 Control of Runoff.**

**4.4.1\*** Water discharge from water spray systems shall be controlled or contained to prevent the spread of fire where flammable or combustible liquids are present.

**4.4.2** Where flammable or combustible liquids are not present and the potential for water damage to adjacent areas is minimal, water discharged from water spray systems shall not be required to be controlled or contained.

**4.4.3\*** The control or containment system shall utilize any one of the following:

- (1) Curbing and grading
- (2) Underground or enclosed drains
- (3)\* Open trenches or ditches
- (4) Diking or impoundment
- (5) Any combination of 4.4.3(1) through 4.4.3(4)

**4.4.4\*** Where the protected hazard involves the possible release of flammable or combustible liquids, the drainage system shall be designed to safely handle burning liquids.

**4.4.5** Enclosed drain systems shall be fitted with traps or other means to prevent the entrance of flames or burning liquids into the system.

**4.4.6** The control or containment system shall be designed to accommodate the total combined flow from all of the following:

- (1)\* All water spray systems intended to operate simultaneously within the fire area (where the actual discharge will exceed the design flow rate, the actual flow rate shall be used)
- (2) Supplemental hose streams and monitor nozzle devices likely to be used during the fire
- (3) The largest anticipated spill or accidental release of process liquids where applicable
- (4) Any normal discharge of process liquids or cooling water into the drainage system
- (5)\* Rain water, provided local conditions warrant inclusion

**4.4.7\*** The control or containment system shall be designed to accommodate the total combined flow for the fire's expected duration.

**4.4.8** Where approved, the system shall be permitted to be designed to accommodate the total combined flow for a period less than the fire's expected duration.

**4.4.9** The water and liquids drained from protected areas shall be collected and treated as required by local regulations.

**4.4.10** Hazardous chemicals and contaminated water shall not be discharged to open waterways or onto the property of others.

#### **4.5 Flammable and Combustible Liquids.**

**4.5.1** The test procedures and apparatus as set forth in Section 4.4 of NFPA 30 shall be used to assess whether a liquid is flammable or combustible.

**4.5.2** The Reid vapor pressure shall not exceed an absolute pressure of 40 psi (276 kPa) at 100°F (37.8°C), as determined by ASTM D323, *Standard Test Method for Vapor Pressure of Petroleum Products (Reid Method)*.

**4.5.3** Flammable and combustible liquids shall be classified according to Section 4.3 of NFPA 30.

### **Chapter 5 System Components**

#### **5.1 General.**

**5.1.1** All component parts shall be coordinated to provide complete systems.

**5.1.2** Only listed materials and devices shall be used in the installation of water spray systems.

**5.1.2.1** Components that do not affect system operation, such as drain valves and signs, shall not be required to be listed.

**5.1.2.2** Only new materials and devices shall be employed in the installation of new water spray systems.

**5.1.2.3** The use of reconditioned valves and devices, other than automatic water spray nozzles, as replacement equipment in existing systems shall be permitted.

**5.1.3** System components shall be rated for the maximum working pressure to which they are exposed, but not less than 175 psi (12.1 bar).

**5.1.4** System components installed outside, or in the presence of a corrosive atmosphere, shall be constructed of materials that will resist corrosion or be suitably protected from corrosion.

**5.2 Water Spray Nozzles.** Water spray nozzles shall be of a type listed for use in water spray systems with the following discharge characteristics:

- (1) K factor
- (2) Spray patterns at various pressures, distances, and orientation angles
- (3) Uniformity of water distribution over its spray pattern

**5.2.1** Water spray nozzles shall be permanently marked with their characteristics according to their listing.

**5.2.2** Standard temperature ratings and color code designations of automatic water spray nozzles shall be as required for automatic sprinklers in NFPA 13.

#### **5.2.3 Special Coatings.**

**5.2.3.1** Listed corrosion-resistant spray nozzles shall be installed in locations where chemicals, moisture, or other corrosive vapors sufficient to cause corrosion of such devices exist.

##### **5.2.3.2 Corrosion-Resistant Coatings.**

**5.2.3.2.1** Corrosion-resistant coatings shall be applied by the manufacturer of the spray nozzle.

**5.2.3.2.2** Any damage to the protective coating occurring at the time of installation shall be repaired immediately, using only the coating of the manufacturer of the spray nozzle in the approved manner so that no part of the spray nozzle will be exposed after installation.

##### **5.2.3.3\* Painting.**

**5.2.3.3.1** Unless applied by the manufacturer, spray nozzles shall not be painted.

**5.2.3.3.2** Any spray nozzles that have been painted by other than the manufacturer or after installation shall be replaced with spray nozzles of the same characteristics, including K factor, thermal response (automatic nozzles), and water distribution.

**5.2.4 Guards.** Automatic water spray nozzles subject to mechanical damage shall be protected with listed guards.

#### **5.2.5\* Stock of Spare Automatic Water Spray Nozzles and Pilot Sprinklers.**

**5.2.5.1** A supply of automatic water spray nozzles and pilot sprinklers shall be maintained on the premises so that any auto-

matic water spray nozzles or pilot sprinklers that have operated or been damaged in any way can be promptly replaced.

**5.2.5.2** These automatic water spray nozzles and pilot sprinklers shall correspond to the types and temperature ratings of the automatic water spray nozzles and pilot sprinklers on the property.

**5.2.5.3** The automatic water spray nozzles and pilot sprinklers shall be kept in a cabinet where the ambient storage temperature does not exceed 100°F (38°C).

**5.2.5.4** Where required by the manufacturer, a special automatic water spray nozzle and/or pilot sprinkler wrench shall be provided to be used in the removal and installation of automatic water spray nozzles and pilot sprinklers.

**5.2.5.5** The stock of spare automatic water spray nozzles and pilot sprinklers shall include as a minimum 1 of each type of automatic water spray nozzle and pilot sprinkler present on the property and shall in no case be less than the following total quantities based on the total number of automatic water spray nozzles and pilot sprinklers on the property:

- (1) For properties with fewer than 300 automatic water spray nozzles or pilot sprinklers, not fewer than 6 automatic water spray nozzles or pilot sprinklers
- (2) For properties with 300 to 1000 automatic water spray nozzles or pilot sprinklers, not fewer than 12 automatic water spray nozzles or pilot sprinklers
- (3) For properties with over 1000 automatic water spray nozzles or pilot sprinklers, not fewer than 24 automatic water spray nozzles or pilot sprinklers

### 5.3 Pipe and Tube.

**5.3.1** Pipe or tube used in water spray systems shall meet or exceed one of the standards in Table 5.3.1 or be in accordance with 5.3.4. In addition, steel pipe shall be in accordance with 5.3.2 and 5.3.3, and copper tube shall be in accordance with 5.3.4.

**5.3.2\*** Where steel pipe listed in Table 5.3.1 is used and joined by welding or by roll-grooved pipe and fittings, the minimum nominal wall thickness for pressures up to 300 psi (20.7 bar) shall be in accordance with Schedule 10 for pipe sizes up to 5 in. (127 mm); 0.134 in. (3.40 mm) for 6 in. (152 mm) pipe; and 0.188 in. (4.78 mm) for 8 in. and 10 in. (203 mm and 254 mm) pipe.

**5.3.2.1** Pressure limitations and wall thickness for steel pipe listed in accordance with 5.3.5 shall be in accordance with the listing requirements.

**5.3.3** Where steel pipe listed in Table 5.3.1 is joined by threaded fittings or by fittings used with pipe having cut grooves, the minimum wall thickness shall be in accordance with Schedule 30 [in pipe sizes 8 in. (203 mm) and larger] or Schedule 40 [in pipe sizes less than 8 in. (203 mm)] for pressures up to 300 psi (20.7 bar).

**5.3.4** Copper tube shall be permitted in water-filled water spray systems where system pressures do not exceed 175 psi (12.1 bar). Copper tube specified in the standards listed in Table 5.3.1 shall have wall thicknesses of Type K, L, or M.

**5.3.5\*** Other types of pipe or tube investigated for suitability in automatic water spray installations and listed for this service, including but not limited to steel differing from that provided in Table 5.3.1, shall be permitted where installed in accordance

**Table 5.3.1 Pipe or Tube Specifications**

Materials and Dimensions	Standard
<b>Ferrous Piping (Welded and Seamless)</b>	
<i>Stainless Steel Pipe</i>	ASME B36.19M
<i>Standard Specification for Seamless Welded and Heavily Cold Worked Austenitic Stainless Steel Pipes</i>	ASTM A312/A312M
<i>Standard Specification for Black and Hot-Dipped Zinc-Coated (Galvanized) Welded and Seamless Steel Pipe for Fire Protection Use*</i>	ASTM A795/A795M
<i>Standard Specification for Pipe, Steel, Black and Hot-Dipped, Zinc-Coated, Welded and Seamless*</i>	ASTM A53/A53M
<i>Welded and Seamless Wrought Steel Pipe</i>	ASME B36.10M
<i>Standard Specification for Electric-Resistance-Welded Steel Pipe</i>	ASTM A135/A135M
<b>Copper Tube (Drawn, Seamless)</b>	
<i>Standard Specification for Seamless Copper Tube*</i>	ASTM B75/B75M
<i>Standard Specification for Seamless Copper Water Tube*</i>	ASTM B88
<i>Standard Specification for General Requirements for Wrought Seamless Copper and Copper-Alloy Tube</i>	ASTM B251
<i>Specification for Filler Metals for Brazing and Braze Welding (Classification BCuP-3 or BCuP-4)</i>	AWS A5.8/A5.8M

\*Denotes pipe or tubing suitable for bending according to ASTM standards.

with their listing limitations, including installation instructions. Bending of pipe shall be permitted as allowed by the listing.

### 5.3.6 Steel Piping.

**5.3.6.1** Steel pipe used in manual and open systems shall be galvanized on its internal and external surfaces in accordance with Table 5.3.1.

**5.3.6.2** The threaded ends of galvanized pipe shall be protected against corrosion.

**5.3.6.3** Water-filled steel piping shall be permitted to be black steel.

**5.3.6.4** Stainless steel pipe shall not be required to be galvanized.

**5.3.7 Corrosion Protection.** Where no other piping material will provide the required corrosion resistance for a particular corrosive application, listed coated pipe or an approved corrosion resistance system applied to piping shall be permitted.

**5.3.8 Minimum Pipe Size.** The minimum pipe size shall be 1 in. (25 mm) for steel and galvanized steel, and ¾ in. (19 mm) for copper and stainless steel.

### 5.3.9 Pipe Bending.

**5.3.9.1** Bending of steel piping of wall thickness equal to or greater than Schedule 10 and Types K and L copper tube shall be permitted where bends are made with no kinks, ripples, distortions, reductions in internal diameter, or any noticeable deviations from round.

**5.3.9.2** For Schedule 40 steel piping and Types K and L copper tubing, the minimum radius of bend shall be 6 pipe diameters for pipe sizes 2 in. (51 mm) and smaller, and 5 pipe diameters for pipe sizes 2½ in. (64 mm) and larger.

**5.3.9.3** For all other types of steel pipe, the minimum radius of bend shall be 12 pipe diameters for all pipe sizes.

#### 5.3.10 Pipe Identification.

**5.3.10.1\*** All pipe, including specially listed pipe allowed by 5.3.5, shall be marked along its length by the manufacturer in such a way as to properly identify the type of pipe.

**5.3.10.2** The marking shall be visible on every piece of pipe over 2 ft (610 mm) long.

#### 5.4 Fittings.

**5.4.1** Fittings used in water systems shall meet or exceed the standards in Table 5.4.1.

**5.4.2** In dry sections of the piping exposed to possible fire or in self-supporting systems, ferrous fittings shall be of steel, malleable iron, or ductile iron.

**5.4.3** Galvanized fittings shall be used where galvanized pipe is used.

**5.4.4** Other types of fittings investigated for suitability in water spray system installations and listed for this service, including but not limited to fiberglass and steel differing from that provided in Table 5.4.1, shall be permitted when installed in accordance with their listing limitations, including installation instructions.

**5.4.5** Fittings shall be extra heavy pattern where pressures exceed 175 psi (12 bar).

**5.4.6** Standard weight pattern malleable iron fittings 6 in. (150 mm) in size or smaller shall be permitted where pressures do not exceed 300 psi (20.7 bar).

**5.4.7** Listed fittings shall be permitted for system pressures up to the limits specified in their listings.

#### 5.4.8 Couplings and Unions.

**5.4.8.1** Screwed unions shall not be used on pipe larger than 2 in. (50 mm).

**5.4.8.2** Couplings and unions of other than screwed type shall be of types listed specifically for use in water spray or sprinkler systems.

#### 5.4.9 Reducers and Bushings.

**5.4.9.1** A one-piece reducing fitting shall be used wherever a change is made in the size of pipe.

**5.4.9.2** Hexagonal or face bushings shall be permitted for use in reducing the size of openings of fittings where standard fittings of the required size and material are not available from the manufacturer.

**5.4.10\*** Rubber-gasketed fittings shall be permitted to be used to connect pipe in fire-exposed areas where the water spray system is automatically controlled.

**5.4.11** Fire-exposed areas where rubber-gasketed fittings are located shall be protected by automatic water spray systems or other approved means.

#### 5.5 Joining of Pipe and Fittings.

##### 5.5.1 Threaded Pipe and Fittings.

**5.5.1.1** All threaded pipe and fittings shall have threads cut in accordance with ANSI/ASME B1.20.1, *Pipe Threads, General Purpose*.

**5.5.1.2\*** Steel pipe with wall thicknesses less than Schedule 30 [in pipe sizes 8 in. (200 mm) and larger] or Schedule 40 [in pipe sizes less than 8 in. (200 mm)] shall not be joined by threaded fittings.

**5.5.1.3** Where wall thicknesses are less than those required in 5.5.1.2, pipes shall be permitted to be threaded where the threaded assembly is investigated and listed for this service.

**5.5.1.4** Joint compound or tape shall be applied only to male threads.

##### 5.5.2\* Welded Pipe and Fittings.

**5.5.2.1 General.** Welding shall be permitted as a means of joining water spray system piping in accordance with 5.5.2.2 through 5.5.2.6.

##### 5.5.2.2 Fabrication.

**5.5.2.2.1** Field welding shall be permitted provided that the requirements of 5.5.2 through 5.5.2.5 are met.

**5.5.2.2.2** When welding in the field, safe welding and cutting practices shall be followed in accordance with NFPA 51B.

**5.5.2.2.3** Welding shall not be performed where there is impingement of rain, snow, sleet, or high wind on the weld area of the pipe product.

**5.5.2.2.4** Torch cutting and welding shall not be permitted as a means of modifying or repairing water spray systems.

**5.5.2.2.5** Where longitudinal earthquake braces are provided, tabs welded to pipe for longitudinal earthquake braces shall be permitted.

**Table 5.4.1 Fittings Materials and Dimensions**

Materials and Dimensions	Standard
<b>Cast Iron</b>	
<i>Gray Iron Threaded Fittings Classes 125 and 250</i>	ASME B16.4
<i>Cast Iron Pipe Flanges and Flanged Fittings</i>	ASME B16.1
<b>Malleable Iron</b>	
<i>Malleable Iron Threaded Fittings Classes 150 and 300</i>	ASME B16.3
<b>Steel</b>	
<i>Factory-Made Wrought Steel Buttwelding Fittings</i>	ASME B16.9
<i>Buttwelding Ends</i>	ASME B16.25
<i>Standard Specification for Piping Fittings of Wrought Carbon Steel and Alloy Steel for Moderate and High Temperature Service</i>	ASTM A234/A234M
<i>Pipe Flanges and Flanged Fittings</i>	ASME B16.5
<i>Forged Fittings, Socket-Welding and Threaded</i>	ASME B16.11
<b>Copper</b>	
<i>Wrought Copper and Copper Alloy Solder Joint Pressure Fittings</i>	ASME B16.22
<i>Cast Copper Alloy Solder Joint Pressure Fittings</i>	ASME B16.18
<b>Ductile Iron</b>	
<i>Standard Specification for Ductile Iron Castings</i>	ASTM A536
<b>Stainless Steel</b>	
<i>Standard Specification for Forged or Rolled Alloy-Steel Pipe Flanges, Forged Fittings, and Valves and Parts for High-Temperature Service</i>	ASTM A182/A182M

**5.5.2.2.6** Where welded piping is to be galvanized, pipe shall be fabricated into spooled sections and shall be galvanized after fabrication.

### 5.5.2.3 Fittings.

**5.5.2.3.1** Welded fittings used to join pipe shall be listed fabricated fittings or manufactured in accordance with Table 5.4.1.

**5.5.2.3.2** Manufactured fittings joined in conformance with a qualified welding procedure as set forth in this section shall be permitted to be an acceptable product under this standard, provided that materials and wall thickness are compatible with other sections of this standard.

**5.5.2.3.3** Fittings shall not be required where pipe ends are butt-welded in accordance with the requirements of 5.5.2.4.3.

**5.5.2.3.4** When reducing the pipe size in a run of piping, a reducing fitting designed for that purpose shall be used.

### 5.5.2.4 Welding Requirements.

**5.5.2.4.1\*** Welds between pipe and welding outlet fittings shall be permitted to be attached by full penetration, partial penetration, or fillet welds.

**5.5.2.4.2\*** The minimum throat thickness shall be not less than the thickness of the pipe, the thickness of the welding fitting, or  $\frac{3}{16}$  in. (5 mm), whichever is least.

**5.5.2.4.3\*** Circumferential butt joints shall be cut, beveled, and fit so that full penetration is achievable. Full penetration welding shall not be required.

**5.5.2.4.4** Where slip-on flanges are welded to pipe with a single fillet weld, the weld shall be on the hub side of the flange, and the minimum throat weld thickness shall not be less than 1.25 times the pipe wall thickness or the hub thickness, whichever is less.

**5.5.2.4.5** Face welds on the internal face of the flange shall be permitted as a water seal in addition to the hub weld required in 5.5.2.4.4.

**5.5.2.4.6** Tabs for longitudinal earthquake bracing shall have minimum throat weld thickness not less than 1.25 times the pipe wall thickness and welded on both sides of the longest dimension.

**5.5.2.4.7** Where welding is performed, the following shall apply:

- (1) Holes cut in piping for outlets shall be cut to the full inside diameter of fittings prior to welding in place of the fittings.
- (2) Discs shall be retrieved.
- (3) Openings cut into piping shall be smooth bore, and all internal slag and welding residue shall be removed.
- (4) Fittings shall not penetrate the internal diameter of the piping.
- (5) Steel plates shall not be welded to the ends of piping or fitting.
- (6) Fittings shall not be modified.
- (7) Nuts, clips, eye rods, angle brackets, or other fasteners shall not be welded to pipe or fittings, except as permitted in 5.5.2.2.5 and 5.5.2.4.6.
- (8) Completed welds shall be free from cracks, incomplete fusion, surface porosity greater than  $\frac{1}{16}$  in. (1.5 mm)

diameter, and undercut deeper than 25 percent of the wall thickness or  $\frac{1}{32}$  in. (0.8 mm).

- (9) Completed circumferential butt weld reinforcements shall not exceed  $\frac{3}{32}$  in. (2.4 mm).

### 5.5.2.5 Qualifications.

**5.5.2.5.1** A welding procedure shall be prepared and qualified by the contractor or fabricator before any welding is done.

**5.5.2.5.2** Qualification of the welding procedure to be used and the performance of all welders and welding operators shall be required and shall meet or exceed the requirements of American Welding Society Standard AWS B2.1/B2.1M, *Specification for Welding Procedures and Performance Qualification*; ASME, *Boiler and Pressure Vessel Code (BPVC), Section IX, Welding, Brazing, and Fusing Qualifications*; or other applicable qualification standard as required by the AHJ, except as permitted by 5.5.2.5.4.

**5.5.2.5.3** Successful procedure qualification of complete joint penetration groove welds shall qualify partial joint penetration (groove/fillet) welds and fillet welds in accordance with the provisions of this standard.

**5.5.2.5.4** Welding procedures qualified under standards recognized by previous editions of this standard shall be permitted to be continued in use.

**5.5.2.5.5** Contractors or fabricators shall be responsible for all welding they produce.

**5.5.2.5.6** Each contractor or fabricator shall have available to the authority having jurisdiction an established written quality assurance procedure ensuring compliance with the requirements of 5.5.2.5.

### 5.5.2.6 Records.

**5.5.2.6.1** Welders or welding machine operators shall, upon completion of each welded pipe, place their identifiable mark or label onto each piece adjacent to a weld.

**5.5.2.6.2** Contractors or fabricators shall maintain certified records of the procedures used and the welders or welding machine operators employed by them, along with their welding identification, which shall be available to the authority having jurisdiction.

**5.5.2.6.3** Records shall show the date and the results of procedure and performance qualifications and shall be available to the authority having jurisdiction.

### 5.5.3 Groove Joining Methods.

**5.5.3.1\*** Pipe joined with grooved couplings shall be joined by a listed combination of couplings, gaskets, and groove dimensions.

**5.5.3.2\*** Grooved connections of fittings and valves, and grooves cut or rolled on pipe shall, be dimensionally compatible with the couplings.

**5.5.3.3** Grooved couplings, including gaskets used on preaction and deluge systems, shall be listed for dry pipe service.

### 5.5.4\* Brazed Joints.

**5.5.4.1\*** Joints for the connection of copper tube shall be brazed using the brazing material in Table 5.3.1.

**5.5.4.2** Field brazing shall be permitted.



**5.5.4.3** Safe brazing practices shall be followed in accordance with NFPA 51B.

**5.5.4.4** Brazing methods shall comply with all of the requirements of AWS B2.2/B2.2M, *Standard for Brazing Procedure and Performance Qualification*.

**5.5.4.5** Fittings used to join copper tube shall be manufactured in accordance with Table 5.4.1 or shall be listed as mechanically formed/extruded connection systems.

**5.5.4.6** No brazing shall be performed if there is impingement of rain, snow, sleet, or high wind on the braze area of the tube product.

**5.5.4.7** Brazing shall be performed in accordance with the following:

- (1) Fittings and branch connections shall not penetrate the internal diameter of the tubing.
- (2) Copper plates shall not be brazed to the ends of tubing or fittings.
- (3) Fittings shall not be modified.
- (4) Nuts, clips, eye rods, angle brackets, or other fasteners shall not be brazed to tube or fittings.

**5.5.4.8** Where the tube size in a run of tubing is being reduced, a reducing fitting designed for that purpose shall be used.

#### **5.5.4.9 Qualifications.**

**5.5.4.9.1** A brazing procedure shall be prepared and qualified by the contractor or fabricator before any brazing is done.

**5.5.4.9.2** Qualification of the brazing procedure to be used and performance of all brazers and brazing operators shall be required and shall meet or exceed the requirements of AWS B2.2/B2.2M, *Standard for Brazing Procedure and Performance Qualification*.

**5.5.4.9.3** Contractors or fabricators shall be responsible for all brazing they produce.

**5.5.4.9.4** Each contractor or fabricator shall have available to the authority having jurisdiction an established written quality assurance procedure ensuring compliance with the requirements of 5.5.4.7.

#### **5.5.4.9.5 Records.**

**5.5.4.9.5.1** Contractors and fabricators shall maintain certified records of the brazing procedures used and the brazers and brazing operators employed by them.

**5.5.4.9.5.2** Records shall show the date and the results of procedure and performance qualification, and shall be available to the authority having jurisdiction.

**5.5.5 Other Types.** Other joining methods investigated for suitability in water spray sprinkler installations and listed for this service shall be permitted where installed in accordance with their listing limitations, including installation instructions.

#### **5.5.6 End Treatment.**

**5.5.6.1** Pipe ends shall have burrs and fins removed after cutting.

**5.5.6.2** Pipe used with listed fittings and its end treatment shall be in accordance with the fitting manufacturer's installation instructions and the fitting's listing.

#### **5.6 Hangers.**

**5.6.1 General.** The types of hangers used shall be in accordance with the requirements of NFPA 13.

**5.6.2** Hangers used outdoors or in locations where corrosive conditions exist shall be galvanized, suitably coated, or fabricated from corrosion-resistive materials.

#### **5.7 Valves.**

##### **5.7.1 Control Valves.**

**5.7.1.1** All valves controlling connections to water supplies and to supply pipes to water spray nozzles shall be listed indicating valves.

**5.7.1.2** Listed underground gate valves equipped with listed indicator posts shall be permitted in underground applications.

**5.7.1.3** Where approved, replacement or installation of a nonindicating valve, such as a T-wrench-operated roadway box, shall be permitted to be installed.

**5.7.1.4** Control valves shall not close in less than 5 seconds when operated at maximum possible speed from the fully open position.

**5.7.1.5** Wafer-type valves with components that extend beyond the valve body shall be installed in a manner that does not interfere with the operation of any system components.

##### **5.7.2 System Actuation Valves.**

**5.7.2.1\*** System actuation valves shall be listed.

**5.7.2.2\*** Accessories used to operate the actuation valve shall be listed and compatible.

**5.7.2.3\*** System actuation valves shall be provided with manual means of actuation independent of the automatic release system and detection devices.

**5.7.2.4** Alarm check valves shall not require an independent means of activation.

**5.7.2.5** Manual controls of actuation valves shall not require a pull of more than 40 lbf (178 N) or a movement of more than 14 in. (356 mm) to secure operation.

**5.7.3 Drain Valves and Test Valves.** Drain valves and test valves shall be approved.

##### **5.7.4 Identification of Valves.**

**5.7.4.1** All control, drain, and test connection valves shall be provided with permanently marked weatherproof metal or rigid plastic identification signs.

**5.7.4.2** The identification sign shall be secured with corrosion-resistant wire, chain, or other approved means.

**5.8 Pressure Gauges.** Required pressure gauges shall be listed and shall have a maximum limit not less than twice the normal working pressure where installed.

#### **5.9 Strainers.**

**5.9.1\*** Pipeline strainers shall be specifically listed for use in water supply connections.

**5.9.2** Strainers shall be capable of removing from the water all solids of sufficient size to obstruct the spray nozzles [normally  $\frac{1}{8}$  in. (3.2 mm) perforations are suitable].

**5.9.3** Pipeline strainer designs shall incorporate a flushing connection.

**5.9.4** Individual or integral strainers for spray nozzles, where required, shall be capable of removing from the water all solids of sufficient size to obstruct the spray nozzle they serve.

### 5.10 Fire Department Connections.

**5.10.1** Unless the requirements of 5.10.1.1, 5.10.1.2, or 5.10.1.3 are met, the fire department connection(s) shall consist of two 2½ in. (65 mm) connections using NH internal threaded swivel fitting(s) with “2.5–7.5 NH standard thread,” as specified in NFPA 1963. [13:16.12.3.1]

**5.10.1.1\*** Where local fire department connections do not conform to NFPA 1963 the authority having jurisdiction shall be permitted to designate the connection to be used. [13:16.12.3.1.1]

**5.10.1.2** The use of threadless couplings shall be permitted where required by the authority having jurisdiction and where listed for such use. [13:16.12.3.1.2]

**5.10.1.3** A single-outlet fire department connection shall be acceptable where piped to a 3 in. (80 mm) or smaller riser. [13:16.12.3.1.3]

**5.10.2** Fire department connections shall be equipped with approved plugs or caps, properly secured and arranged for easy removal by fire departments. [13:16.12.3.2]

**5.10.3** Fire department connections shall be of an approved type. [13:16.12.3.3]

### 5.11 Alarms.

**5.11.1** Waterflow alarm apparatus shall be listed for this service.

**5.11.2** An alarm unit shall include a listed mechanical alarm or horn or a listed electric device, bell, speaker, horn, or siren.

**5.11.3\*** Outdoor water-motor-operated or electrically operated bells shall be protected from the weather and shall be provided with guards.

**5.11.4** All piping to water-motor-operated devices shall be galvanized steel, brass, copper, or other approved metallic corrosion-resistant material of not less than ¼ in. (20 mm) nominal pipe size.

**5.11.5** Piping between the water spray system and a pressure-actuated alarm-initiating device shall be galvanized steel, brass, copper, or other approved metallic corrosion-resistant material of not less than ⅜ in. (10 mm) nominal pipe size.

**5.11.6** Drains from alarm devices shall be sized and arranged to prevent water overflow at the drain connection when system drains are open wide and under system pressure.

**5.11.7** Electrical alarm devices used outdoors shall be listed for this purpose.

**5.11.8** Electrical fittings and devices listed for use in hazardous locations shall be used where required by *NFPA 70*.

### 5.12 Detection Systems.

**5.12.1** Automatic detection equipment, release devices, and system accessories shall be listed for the intended use.

**5.12.2** The detection systems shall be automatically supervised in accordance with *NFPA 72*.

## Chapter 6 Installation Requirements

### 6.1 Basic Requirements.

**6.1.1 Hazardous Locations.** Components of the electrical portions of water spray systems that are installed in classified locations as defined in Article 500 of *NFPA 70* shall be listed for such use.

#### 6.1.2\* Electrical Clearances.

**6.1.2.1** All system components shall be located so as to maintain minimum electrical clearances from live parts.

**6.1.2.2** The electrical clearances in Table 6.1.2.2 shall apply to altitudes of 3300 ft (1000 m) or less.

**6.1.2.3** At altitudes in excess of 3300 ft (1000 m), the electrical clearance shall be increased at the rate of 1 percent for each 330 ft (100 m) increase in altitude above 3300 ft (1000 m).

**6.1.3** Where the design BIL is not available and where nominal voltage is used for the design criterion, the highest minimum clearance listed for this group shall be used.

### 6.2 Water Spray Nozzles.

#### 6.2.1\* Selection.

**6.2.1.1** Open water spray nozzles shall be used.

**Table 6.1.2.2 Electrical Clearance from Water Spray Equipment to Live Uninsulated Electrical Components**

Nominal System Voltage (kV)	Maximum System Voltage (kV)	Design BIL (kV)	Minimum* Clearance		
			in.	mm	
To 13.8	14.5	110	7	178	
	23.0	150	10	254	
	34.5	200	13	330	
	46.0	250	17	432	
	69.0	350	25	635	
115.0	121.0	550	42	1067	
	138.0	650	50	1270	
	161.0	750	58	1473	
	230.0	242.0	900	76	1930
			1050	84	2134
345.0	362.0	1050	84	2134	
		1300	104	2642	
		1500	124	3150	
500.0	550.0	1800	144	3658	
		2050	167	4242	

Note: BIL values are expressed as kilovolts (kV), the number being the crest value of the full wave impulse test that the electrical equipment is designed to withstand. For BIL values that are not listed in the table, clearances can be found by interpolation.

\*For voltages up to 161 kV, the clearances are taken from *NFPA 70*. For voltages 230 kV and above, the clearances are taken from Table 124 of IEEE C2, *National Electrical Safety Code*.

**6.2.1.2** Automatic nozzles shall be permitted where positioned and located so as to provide satisfactory performance with respect to activation time and distribution.

**6.2.1.3** The selection of the type and size of spray nozzles shall be made with proper consideration given to such factors as discharge characteristics, physical character of the hazard involved, ambient conditions, material likely to be burning, and the design objectives of the system.

**6.2.1.4** Where approved, sprinklers shall be permitted to be used in water spray systems and installed in positions other than anticipated by their listing to achieve specific results where special situations require.

**6.2.2 Temperature Rating.** The temperature rating for automatic nozzles shall be based on the maximum ambient temperature and determined in accordance with NFPA 13.

**6.2.3** Water spray nozzles shall be permitted to be placed in any position, within their listing limitations, necessary to obtain proper coverage of the protected area.

**6.2.4** The positioning of water spray nozzles shall include an evaluation of all the following factors:

- (1) The shape and size of the area to be protected
- (2) The nozzle design and characteristics of the water spray pattern to be produced
- (3) The effect of wind and fire draft on very small drop sizes or on large drop sizes with little initial velocity
- (4) The potential to miss the target surface and increase water wastage
- (5) The effects of nozzle orientation on coverage characteristics
- (6) The potential for mechanical damage

### 6.3 Piping Installation.

#### 6.3.1 Valves.

**6.3.1.1 Water Supply Control Valves.** Each system shall be provided with a control valve located so as to be accessible during a fire in the area the system protects, or any adjacent areas, or, in the case of systems installed for fire prevention, during the existence of the contingency for which the system is installed.

**6.3.1.2 Valve Supervision.** Valves controlling the water supply to water spray systems shall be supervised in the normally open position by one of the following methods:

- (1) Central station, proprietary, or remote station alarm service
- (2) Local alarm service that will cause the sounding of an audible signal at a constantly attended point
- (3) Locking valves open
- (4) Sealing of valves and approved weekly recorded inspection where valves are located within fenced enclosures under the control of the owner

**6.3.1.3** Underground gate valves with roadway boxes shall not be required to be supervised.

#### 6.3.1.4 Location of System Actuation Valves.

**6.3.1.4.1** System actuation valves shall be as close to the hazard protected as accessibility during the emergency will permit.

**6.3.1.4.2** The location of system actuation valves shall include an evaluation of all the following factors:

- (1) Radiant heat from exposing fire
- (2) Potential for explosions
- (3) The location and arrangement of drainage facilities including dikes, trenches, and impounding basins
- (4) Potential for freezing and mechanical damage
- (5) Accessibility
- (6) System discharge time

#### 6.3.2 Pipe Support.

**6.3.2.1** System piping shall be supported to maintain its integrity under fire conditions.

**6.3.2.2** Piping shall be supported from steel or concrete structural members or pipe stands.

**6.3.2.2.1** Where a horizontal bracket is used to attach the system piping to the pipe stand, it shall not be more than 18 in. (457.2 mm) as measured horizontally from the centerline of the pipe stand to the centerline of the support pipe.

**6.3.2.2.2\*** Pipe stands used to support piping shall be in accordance with Table 6.3.2.2.2(a), Table 6.3.2.2.2(b), and Table 6.3.2.2.2(c) to determine maximum heights for pipe stands supporting various diameters of looped piping.

**6.3.2.2.3** Where a cantilevered support arm is used to support system piping, the minimum size of the support arm shall be such that the section modulus required in Table 6.3.2.2.3(a) and Table 6.3.2.2.3(b) does not exceed the section modulus of the support arm.

**6.3.2.2.4** Where pipe stands are used to support straight runs of piping or other configurations that are not looped or are not rigidly supported at the top of the pipe stand in a manner that will resist movement in all directions, the pipe stands shall be designed in accordance with the requirements of NFPA 13.

**6.3.2.2.5\*** Distance between pipe stands exceeding those in Table 6.3.2.2.5 shall be permitted where a 45-degree diagonal is attached between the pipe stand and the loop piping. (*See Figure A.6.3.2.2.5.*) For piping of other than Schedule 40, pipe stand shall be spaced in accordance with the hanger references of NFPA 13.

**6.3.2.2.6** Pipe stands shall be constructed of Schedule 40 threaded pipe, malleable iron flange base, and shall have a threaded, grooved, or welded cap top.

**6.3.2.2.7\*** Pipe stands shall be anchored to a concrete pier or footing with either expansion shields, bolts for concrete, or cast-in-place J hooks.

**6.3.2.2.8\*** Piping shall be attached to the pipe stand with U-bolts or equivalent attachment.

**6.3.2.3** Piping support shall be permitted to be attached directly to vessels or other equipment, provided the equipment is capable of supporting the system and the design is certified by a registered professional engineer.

**6.3.2.4** Tapping and drilling of load-bearing structural elements shall be permitted only where the design of the structural members takes the drilling or tapping into account, where the design includes the additional loads created by the water spray system, and where the design is certified by a registered professional engineer.

Table 6.3.2.2.2(a) Maximum Pipe Stand Heights for Axially Loaded Pipe Stands

System Pipe Diameter	Pipe Stand Diameter											
	1½ in.		2 in.		2½ in.		3 in.		4 in.		6 in.	
	ft	m	ft	m	ft	m	ft	m	ft	m	ft	m
1½ in.	10	3.05	14	4.27	18	5.49	28	8.53	30	9.14	30	9.14
2 in.	8	2.44	12	3.66	16	4.88	26	7.92	30	9.14	30	9.14
2½ in.	6	1.83	10	3.05	14	4.27	24	7.32	30	9.14	30	9.14
3 in.	—	—	8	2.44	12	3.66	22	6.71	30	9.14	30	9.14
4 in.	—	—	—	—	—	—	—	—	10	3.05	30	9.14
6 in.	—	—	—	—	—	—	—	—	10	3.05	30	9.14
8 in.	—	—	—	—	—	—	—	—	—	—	30	9.14

Table 6.3.2.2.2(b) Maximum Pipe Stand Heights with Support Arms Up to 1 ft 0 in. (0.305 m) in Length

System Pipe Diameter	Pipe Stand Diameter											
	1½ in.		2 in.		2½ in.		3 in.		4 in.		6 in.	
	ft	m	ft	m	ft	m	ft	m	ft	m	ft	m
1½ in.	9	2.74	14	4.27	18	5.49	28	8.53	30	9.14	30	9.14
2 in.	—	—	12	3.66	16	4.88	26	7.92	30	9.14	30	9.14
2½ in.	—	—	8	2.44	14	4.27	24	7.32	30	9.14	30	9.14
3 in.	—	—	—	—	12	3.66	22	6.71	30	9.14	30	9.14
4 in.	—	—	—	—	—	—	—	—	10	3.05	30	9.14
6 in.	—	—	—	—	—	—	—	—	10	3.05	30	9.14
8 in.	—	—	—	—	—	—	—	—	10	3.05	30	9.14

Table 6.3.2.2.2(c) Maximum Pipe Stand Heights with Support Arms Up to 1 ft 6 in. (0.46 m) in Length

System Pipe Diameter	Pipe Stand Diameter											
	1½ in.		2 in.		2½ in.		3 in.		4 in.		6 in.	
	ft	m	ft	m	ft	m	ft	m	ft	m	ft	m
1½ in.	—	—	14	4.27	18	5.49	28	8.53	30	9.14	30	9.14
2 in.	—	—	—	—	16	4.88	26	7.92	30	9.14	30	9.14
2½ in.	—	—	—	—	14	4.27	24	7.32	30	9.14	30	9.14
3 in.	—	—	—	—	12	3.66	22	6.71	30	9.14	30	9.14
4 in.	—	—	—	—	—	—	—	—	10	3.05	30	9.14
6 in.	—	—	—	—	—	—	—	—	10	3.05	30	9.14
8 in.	—	—	—	—	—	—	—	—	—	—	30	9.14

Table 6.3.2.2.3(a) Required Section Modulus for Pipe Stand Horizontal Support Arms 1 ft 0 in. (0.305 m) in Length

Nominal Diameter of Pipe Being Supported — Schedule 10 Steel											
1 in.	1.25 in.	1.5 in.	2 in.	2.5 in.	3 in.	3.5 in.	4 in.	5 in.	6 in.	8 in.	
0.15	0.17	0.20	0.24	0.30	0.36	0.42	0.49	0.66	0.85	1.40	
Nominal Diameter of Pipe Being Supported — Schedule 40 Steel											
1 in.	1.25 in.	1.5 in.	2 in.	2.5 in.	3 in.	3.5 in.	4 in.	5 in.	6 in.	8 in.	
0.16	0.18	0.22	0.27	0.36	0.45	0.54	0.63	0.86	1.13	1.64	

For SI units, 1 in. = 25.4 mm; 1 ft = 0.305 m.

**Table 6.3.2.2.3(b) Required Section Modulus for Pipe Stand Horizontal Support Arms 1 ft 6 in. (0.46 m) in Length (in.<sup>3</sup>)**

Nominal Diameter of Pipe Being Supported — Schedule 10 Steel										
1 in.	1.25 in.	1.5 in.	2 in.	2.5 in.	3 in.	3.5 in.	4 in.	5 in.	6 in.	8 in.
0.23	0.26	0.31	0.36	0.44	0.54	0.63	0.73	0.99	1.27	2.09
Nominal Diameter of Pipe Being Supported — Schedule 40 Steel										
1 in.	1.25 in.	1.5 in.	2 in.	2.5 in.	3 in.	3.5 in.	4 in.	5 in.	6 in.	8 in.
0.24	0.27	0.33	0.41	0.54	0.68	0.81	0.95	1.29	1.69	2.46

For SI units, 1 in. = 25.4 mm; 1 ft = 0.305 m.

**6.3.2.5** Where welding of supports directly to vessels or equipment is necessary, it shall be done in a safe manner in conformance with the provisions of all safety, structural, and fire codes and standards.

**6.3.2.6\*** Hangers shall be installed and located in accordance with NFPA 13.

**6.3.2.7\*** Where the pipe support methods outlined in this standard or NFPA 13 cannot be used, water spray system piping shall be supported in a manner equivalent to the performance requirements of this standard or NFPA 13 and the design certified by a registered professional engineer.

**6.3.2.8** Piping shall be supported and braced to restrict movement due to nozzle reaction and water surges so that system performance and integrity is maintained.

**6.3.3 Piping Drainage.**

**6.3.3.1** All water spray system pipe and fittings shall be installed so that the system can be drained.

**6.3.3.2** Drains shall discharge to a safe location, and drain valves, where provided, shall be accessible.

**6.3.3.3** Drains shall not be directly interconnected with any sewer systems.

**6.3.3.4** The drain discharge shall conform to any health or water department regulations.

**6.3.3.5** Means shall be provided to verify water flow through the drain.

**6.3.3.6\*** Each system shall be provided with drain connections for system risers, mains, and actuation valves.

**6.3.3.7** Drain connections shall be sized as shown in Table 6.3.3.7.

**6.3.3.8 Auxiliary Drains.**

**6.3.3.8.1** Auxiliary drains shall be provided where a change in piping direction prevents drainage of system piping through either the main drain valve or open water spray nozzles.

**6.3.3.8.2** The sizing of auxiliary drains for water spray systems shall be in accordance with Table 6.3.3.8.2.

**6.3.4 Protection Against Freezing.**

**6.3.4.1** Where used, valve rooms shall be lighted and heated.

**Table 6.3.2.2.5 Pipe Stand Distance**

Loop Size		Distance Between Pipe Stands	
in.	mm	ft	mm
1	25	10	3048
1½	40	12	3658
2	50	14	4267
2½	65–200	15	4572

**Table 6.3.3.7 Drain Size**

Riser or Main Size (in.)	Size of Drain Connection (in.)
Up to 2	¾ or larger
2½, 3, 3½	1¼ or larger
4 and larger	2 only

Note: For SI units, 1 in. = 25.4 mm.

**Table 6.3.3.8.2 Minimum Auxiliary Drain Size for Trapped Water Spray Piping**

Volume of Trapped Piping		Drain Size (in.)
gal	L	
< 5	< 18.9	½
5 to 50	18.9 to 189.3	¾
> 50	> 189.3	1.0

Note: For SI units, 1 gal = 3.8 L; 1 in. = 25.4 mm.

**6.3.4.2** The source of heat shall be of a permanently installed type and shall be capable of maintaining a room temperature at a minimum of 40°F (4°C).

**6.3.4.3** Where water-filled supply pipes, risers, system risers, or feed mains pass through open areas, cold rooms, passageways, or other areas exposed to freezing, the pipe shall be protected against freezing by insulating coverings, frostproof casing, or other means capable of maintaining a minimum temperature of 40°F (4°C).

**6.3.4.4** Unheated areas shall be permitted to be protected by antifreeze systems in accordance with NFPA 13 if acceptable to the authority having jurisdiction.

**6.3.5 Protection Against Damage Where Subject to Earthquakes.** Protection of piping against damage where subject to earthquakes shall be in accordance with NFPA 13.

**6.3.6\* Protection of Piping Against Damage Where Explosion Potential Exists.** Where water spray systems are installed in areas having an explosion potential, they shall be installed in a manner that will minimize damage to the piping and system control and actuation valves.

## 6.4 System Attachments.

### 6.4.1 Alarms.

**6.4.1.1** All automatic water spray systems shall be provided with a local alarm.

**6.4.1.2** Any flow from a single automatic nozzle of the smallest orifice size installed on the system or flow from any group of nonautomatic nozzles shall result in an audible alarm on the premises within 90 seconds after flow begins.

**6.4.1.3** Where a separate detection system is used to activate the water spray system, the alarm shall be actuated independently of system water flow to indicate operation of the detection system.

**6.4.1.4** Water flow alarms shall be installed in accordance with NFPA 13.

**6.4.1.5** Electrically operated alarm attachments shall be installed in accordance with NFPA 72.

**6.4.1.6** Water spray system water flow alarm systems that are not a part of a required protective signaling system shall not be required to be supervised, but shall be installed in accordance with Article 760 of NFPA 70.

### 6.4.2 Remote Manual Actuation.

**6.4.2.1** At least one manual actuation device independent of the manual actuation device at the system actuation valve shall be installed for all automatic systems.

**6.4.2.2** Where the manual release at the systems actuation valve meets the requirements of 6.4.2.4, a separate remote manual activation device shall not be required.

**6.4.2.3** Systems that protect normally unoccupied areas shall not require a separate manual activation means.

**6.4.2.4** Remote manual actuation devices shall be located so as to be conspicuous, unobstructed, and accessible during an emergency.

**6.4.2.5** Remote manual actuation devices shall be identified with a permanently marked weatherproof metal or rigid plastic sign identifying the system(s) controlled.

**6.4.2.6** The operable part of each remote manual actuation device shall be not less than 3½ ft (1.1 m) and not more than 4½ ft (1.37 m) above grade or floor level.

### 6.4.3\* Fire Department Connections.

**6.4.3.1\*** One or more fire department connections shall be provided as described in this subsection.

**6.4.3.2** Fire department connections shall not be required for the following installations:

- (1) Systems located in remote areas that are inaccessible for fire department support shall not require a fire department connection.
- (2) Large-capacity systems exceeding the pumping capacity of the fire department shall not require a fire department connection.
- (3) Ultra-high-speed water spray systems shall not require a fire department connection.

**6.4.3.3** The number of outlets and size of the outlets and piping in the fire department connection shall be sufficient to supply the water spray system demand.

**6.4.3.4** The arrangement and other installation features of fire department connections shall be in accordance with NFPA 13.

### 6.4.4 Gauges.

**6.4.4.1** Pressure gauges shall be installed as follows:

- (1) Below the system actuation valve
- (2) Above and below alarm check valves
- (3) On the air or water supply to pilot lines

**6.4.4.2** Pressure gauges shall be installed so as to permit removal.

**6.4.4.3** Pressure gauges shall be located where they will not be subject to freezing.

**6.4.4.4** Provisions shall be made for test gauges at the hydraulically most remote nozzle on each system.

**6.4.4.5\*** At least one gauge connection shall be provided at or near the hydraulically most remote nozzle calculated as having the least amount of pressure under normal flow conditions.

**6.4.4.6** Where the remote gauge is at a different elevation than the remote nozzle, corrections for elevation pressure shall be applied.

**6.4.5 Alarm Test Connection for Wet Pipe Systems.** An alarm test connection shall be provided for all wet pipe systems in accordance with NFPA 13.

### 6.4.6 Strainers.

**6.4.6.1\*** Main pipeline strainers shall be provided for all systems utilizing nozzles with waterways less than ⅜ in. (9.5 mm) and for any system where the water is likely to contain obstructive material.

**6.4.6.2** Mainline pipeline strainers shall be installed so as to be accessible for flushing or cleaning.

**6.4.6.3** Individual or integral strainers shall be provided at each nozzle where waterways smaller than ⅜ in. (5 mm) are used.

## 6.5 Automatic Detection Equipment.

### 6.5.1 Protection.

**6.5.1.1 Corrosion Protection.** Detection equipment installed outdoors or in the presence of possible corrosive vapors or atmospheres shall be protected from corrosion by suitable materials of construction or by suitable protection coatings applied by the equipment manufacturer.

**6.5.1.2 Protective Canopy.** Detection equipment requiring protection from the weather shall be provided with a canopy, hood, or other suitable protection.

**6.5.1.3\* Mechanical Damage.** Detection equipment shall be located so as to be protected from mechanical damage.

**6.5.1.4 Mounting.** Detectors shall, in all cases, be supported independently of their attachment to wires or tubing.

**6.5.1.5 Pilot Sprinklers.** Pilot-type automatic sprinklers shall be permitted to be supported by their piping or tubing.

## 6.5.2 Selection, Location, and Spacing of Detectors.

**6.5.2.1** The selection, location, and spacing of automatic fire detectors for the actuation of fixed water spray systems shall meet or exceed the applicable requirements of *NFPA 72*, and be consistent with the following:

- (1) Data obtained from field experience
- (2) Tests
- (3) Engineering surveys
- (4) Manufacturer's recommendations
- (5) Detectors' listing criteria
- (6) Nature of the hazard being protected
- (7) Both normal and abnormal air velocities
- (8) Range of anticipated temperatures
- (9) Maximum expected rates of temperature change under nonfire conditions
- (10) Number and height of structural levels
- (11) Effects of precipitation (rain and snow)
- (12) Presence and magnitude of electromagnetic interference
- (13) Presence of obstructions that might retard or mitigate timely detection
- (14) Other conditions that might affect the efficacy of the fire detection employed

**6.5.2.2** Detectors shall be located so as to promptly respond to a fire, flammable gas release, or other design condition.

**6.5.2.2.1** The detection system shall be capable of detecting a fire up to the elevation of the highest level of protected equipment surface.

**6.5.2.2.2** Detectors shall be located so that no portion of the hazard being protected extends beyond the perimeter line of detectors.

### 6.5.2.3\* Outdoor Detector Spacing.

**6.5.2.3.1** Where located out of doors or in the open, the spacing of fixed temperature or rate-of-rise detectors shall be reduced by at least 50 percent from the listed spacings under smooth ceilings.

**6.5.2.3.2** Where testing has demonstrated acceptable performance at other spacings, those spacings shall be permitted.

**6.5.2.3.3** Pilot sprinklers spaced in accordance with 6.5.2.4 shall not require reduced spacing.

**6.5.2.3.4** Where specific guidance is provided in the listing, detectors specifically listed for outdoor installation shall be installed in accordance with the listing requirements.

### 6.5.2.4 Pilot-Type Sprinklers.

**6.5.2.4.1** The temperature rating of pilot-type sprinklers shall be selected in accordance with *NFPA 13*.

**6.5.2.4.2** Where located under a ceiling, pilot sprinklers shall be positioned in accordance with the requirements for automatic sprinklers in *NFPA 13*.

**6.5.2.4.3** Maximum horizontal spacing for indoor locations shall not exceed 12 ft (3.7 m).

**6.5.2.4.4** The obstruction to water distribution rules for automatic sprinklers shall not be required to be followed where pilot sprinklers are used.

**6.5.2.4.5** Pilot sprinklers shall be permitted to be spaced more than 22 in. (559 mm) below a ceiling or deck where the maximum spacing between pilot sprinklers is 10 ft (3 m) or less.

**6.5.2.4.6** Other maximum horizontal pilot sprinkler spacings differing from those required in 6.5.2.4.2 and 6.5.2.4.3 shall be permitted where they are installed in accordance with their listing.

**6.5.2.4.7** Pilot sprinklers located outdoors, such as in open process structures, shall be spaced such that the elevation of a single level of pilot sprinklers and between additional levels of pilot sprinklers shall not exceed 17 ft (5.2 m).

**6.5.2.4.8** The horizontal distance between pilot sprinklers installed outdoors shall not exceed 8 ft (2.5 m).

**6.5.2.4.9** The horizontal distance between pilot sprinklers installed outdoors on a given level shall be permitted to be increased to 10 ft (3 m) where the elevation of the first level does not exceed 15 ft (4.6 m), the distance between additional levels does not exceed 12 ft (3.7 m), and the pilot sprinklers are staggered vertically.

**6.5.2.4.10** Other vertical pilot sprinkler spacings differing from those required in 6.5.2.4.7 and 6.5.2.4.8 shall be permitted where installed in accordance with their listing.

### 6.5.2.5 Special Situations.

#### 6.5.2.5.1 Open-Sided Buildings.

**6.5.2.5.1.1** Detectors located in open-sided buildings shall follow the indoor spacing rules.

**6.5.2.5.1.2** A line of detectors in accordance with the outdoor detector spacing rules shall be located along the open sides of open-sided buildings.

**6.5.2.5.2 Under Open Gratings.** Detectors located under open gratings shall be spaced in accordance with 6.5.2.3.

**6.5.2.6 Two or More Systems.** Where there are two or more adjacent water spray systems in one area controlled by separate detection systems, the detectors on each system shall be spaced independently as if the dividing line between the systems were a wall or draft curtain.

#### 6.5.2.7\* Flammable Gas Detectors.

**6.5.2.7.1** Flammable gas detectors shall be located with consideration for the density of the flammable gas and its temperature and proximity to equipment where leakage is more likely to occur.

**6.5.2.7.2** Access for testing, calibration, and maintenance of flammable gas detectors shall be provided.

**6.5.2.8 Radiant Energy-Sensing Fire Detectors.** Radiant energy-sensing fire detectors shall be spaced and located in accordance with their listings and manufacturer's recommendations.

### 6.5.3 Arrangement and Supervision of Systems.

#### 6.5.3.1 Electrical Systems.

**6.5.3.1.1** Water spray systems that depend on electric thermostats, relay circuits, flammable gas detectors, or other similar equipment shall be so arranged that such equipment is normally energized or completely supervised in a manner that will result in positive notifications of an abnormal condition in accordance with *NFPA 72* unless failure of the detection system results in the operation of the water spray system.

**6.5.3.1.2** Supervision shall include, but not be limited to, the tripping device, solenoid valve, and any connecting wiring.

**6.5.3.2 Pneumatic and Hydraulic Systems.** Pneumatically and hydraulically operated systems shall be supervised in a manner such that failure will result in positive notification of the abnormal condition, unless the failure results in operation of the water spray system.

## Chapter 7 Design Objectives

### 7.1 System Design.

**7.1.1** Systems shall be arranged for automatic operation with supplementary manual tripping means provided.

**7.1.2** Manual operation shall be permitted where automatic operation of the system presents a hazard to personnel.

**7.1.3** Manual operation of the system shall be permitted where a system is isolated and attended by trained personnel at all times.

**7.1.4** Systems shall be designed to accomplish at least one of the design objectives defined in Section 4.1 and in accordance with Sections 7.2 through 7.5, as applicable.

**7.1.5** Systems shall be permitted to have other design objectives requiring different protection where approved by the authority having jurisdiction.

**7.1.6\*** The system and water supplies shall be designed to admit water into the piping and to discharge effective water spray from all open nozzles without delay.

**7.1.7** The design shall ensure that the nozzle spray patterns meet or overlap.

**7.1.8** Nozzle spacing (vertically or horizontally) shall not exceed 10 ft (3 m).

**7.1.9** Nozzles shall be permitted to exceed the spacing requirements of 7.1.8 where listed for spacing exceeding 10 ft (3 m).

#### 7.1.10 Size of System and Water Demand.

**7.1.10.1\*** A single system shall not protect more than one fire area.

**7.1.10.2\*** The number of systems expected to operate simultaneously shall be determined by evaluating the following factors:

- (1) Possible flow of burning liquids between areas before or during operation of the water spray systems
- (2) Possible flow of hot gases between fire areas that could actuate adjoining systems, thereby increasing demand
- (3) Flammable gas detection set to automatically actuate systems

- (4) Manual operation of multiple systems
- (5) Other factors that would result in operation of systems outside of the primary fire area

**7.1.10.3** The hydraulically designed discharge rate for a single system or multiple systems designed to operate simultaneously shall not exceed the available water supply. (*See 9.2.1.*)

### 7.2 Extinguishment.

#### 7.2.1 General.

**7.2.1.1 Design Objective.** Systems shall be designed so that extinguishment shall be accomplished and all protected surfaces shall be cooled to prevent flashback occurring after the system is shut off.

**7.2.1.2\* Extinguishment Methods.** Extinguishment of fires by water spray shall be accomplished by one or a combination of the following methods:

- (1) Surface cooling
- (2) Smothering by produced steam
- (3) Emulsification
- (4) Dilution
- (5) Other factors

**7.2.1.3\* Design Density.** A general range of water spray application rates that shall apply to most ordinary combustible solids or liquids shall be from 0.15 gpm/ft<sup>2</sup> to 0.50 gpm/ft<sup>2</sup> [6.1 (L/min)/m<sup>2</sup> to 20.4 (L/min)/m<sup>2</sup>] of protected surface.

**7.2.1.3.1** The specific design density for extinguishment shall be based on test data or knowledge concerning conditions similar to those that will apply in the actual installation.

#### 7.2.2 Cable Trays and Cable Runs.

**7.2.2.1\*** Where insulated wire and cable or nonmetallic tubing is to be protected by an automatic water spray (open nozzle) system designed for extinguishment of fire that originates within the cable or tube, the system shall be hydraulically designed to impinge water directly on each tray or group of cables or tubes at a net rate of 0.15 gpm/ft<sup>2</sup> [6.1 (L/min)/m<sup>2</sup>] on the projected plane containing the cable or tubing tray or run.

**7.2.2.2** Cable trays and cable runs shall be permitted to be protected by other water spray densities and methods of application where verified by tests and where acceptable to the authority having jurisdiction.

**7.2.2.3\*** Automatic detection devices shall detect smoldering or slow-to-develop flames.

**7.2.2.4** Where it is likely that spills of flammable liquids or molten materials will expose cables, nonmetallic tubing, and tray supports, the design of protection systems shall be in accordance with that specified for exposure protection. (*See 7.4.3.8.*)

#### 7.2.3 Belt Conveyors.

##### 7.2.3.1 General.

**7.2.3.1.1** Open nozzles shall be located to direct water spray onto the surfaces to extinguish fire in hydraulic oil, the belt, the contents on the belt, or the drive unit.



**7.2.3.1.2** Water spray impingement on structural elements shall provide exposure protection against radiant heat or impinging flame.

**7.2.3.1.3** Interlocks shall be provided between the detection system and the machinery to shut down belt conveyor operation, including upstream feed. (See Sections 6.5 and 7.7.)

**7.2.3.1.4** The water supply shall be capable of supplying both the design flow rate and 250 gpm (946 L/min) for hose streams for a minimum duration of 1 hour.

**7.2.3.2\* Drive Unit.**

**7.2.3.2.1** The water spray system shall be installed to protect the drive rolls, the take-up rolls, the power units, and the hydraulic-oil unit.

**7.2.3.2.2** The net rate of water application for the drive unit shall be not less than 0.25 gpm/ft<sup>2</sup> [10.2 (L/min)/m<sup>2</sup>] of roll and belt.

**7.2.3.3 Conveyor Belt.**

**7.2.3.3.1\*** The water spray system shall be installed to automatically wet the top belt, its contents, and the bottom return belt.

**7.2.3.3.2** Discharge patterns of water spray nozzles shall envelop, at a net rate of not less than 0.25 gpm/ft<sup>2</sup> [10.2 (L/min)/m<sup>2</sup>], the top and bottom belt surface area, conveyor surfaces where combustible materials are likely to accumulate, the structural parts, and the idler rolls supporting the belt.

**7.2.3.3.3** Water spray system protection for belt conveyors shall accomplish either of the following:

- (1) Extend onto transfer belts, transfer equipment, and transfer building
- (2) Interlock in such a manner that the water spray system protecting the feeding belt will automatically actuate the water spray system protecting the first segment of the downstream equipment

**7.3 Control of Burning.**

**7.3.1 General.**

**7.3.1.1\*** A system for the control of burning shall operate as intended until there has been time for the burning material to be consumed, for steps to be taken to shut off the flow of leaking material, or until the burning material can be otherwise extinguished.

**7.3.1.2** Nozzles shall be positioned to impinge water directly on the areas of the source of fire and where spills are likely to spread or accumulate.

**7.3.1.3** The water application rate shall be at a net rate of not less than 0.50 gpm/ft<sup>2</sup> [20.4 (L/min)/m<sup>2</sup>] of protected area.

**7.3.2\* Pumps, Compressors, and Related Equipment.** Pumps or other devices that handle flammable liquids or gases shall have the shafts, seals, and other critical parts enveloped by directed water spray at a net rate of not less than 0.50 gpm/ft<sup>2</sup> [20.4 (L/min)/m<sup>2</sup>] of projected surface area of the equipment.

**7.3.3 Flammable and Combustible Liquid Pool Fires.** Water spray systems designed to control pool fires resulting from a flammable or combustible liquid spill fire shall be designed to

apply a net rate of not less than 0.30 gpm/ft<sup>2</sup> [12.2 (L/min)/m<sup>2</sup>] of protected area.

**7.4 Exposure Protection.**

**7.4.1\* General.** A system for exposure protection shall operate as intended for the anticipated duration of the exposure fire.

**7.4.2\* Vessels.**

**7.4.2.1** Water spray shall be applied to vessel surfaces (including top and bottom surfaces of vertical vessels) at a net rate of not less than 0.25 gpm/ft<sup>2</sup> [10.2 (L/min)/m<sup>2</sup>] of exposed surface.

**7.4.2.2\*** Where rundown is contemplated, the distance between nozzles at different levels or elevations, protecting vertical or inclined surfaces, shall not exceed 12 ft (3.7 m) as measured along the surface.

**7.4.2.3\*** The horizontal distance between nozzles shall be such that spray patterns meet or overlap at the protected surface.

**7.4.2.4** Spherical or horizontal cylindrical surfaces below the vessel equator shall not be considered wettable from rundown.

**7.4.2.5** Where projections (manhole flanges, pipe flanges, support brackets, relief valves, etc.) will obstruct water spray coverage, including rundown on vertical surfaces, additional nozzles shall be installed around the projections to maintain the wetting pattern that otherwise would be seriously interrupted.

**7.4.2.6** All uninsulated vessel skirts and any uninsulated steel saddles greater than 12 in. (305 mm) high at the lowest point shall have water spray applied on one exposed (uninsulated) side, at a net rate of not less than 0.25 gpm/ft<sup>2</sup> [10.2 (L/min)/m<sup>2</sup>].

**7.4.3 Structures and Miscellaneous Equipment.**

**7.4.3.1\* Horizontal Structural Steel.** Horizontal, stressed (primary) structural steel members shall be protected by nozzles and piping of such size and arrangement to discharge a net rate of not less than 0.10 gpm/ft<sup>2</sup> [4.1 (L/min)/m<sup>2</sup>] over the wetted area, as per Figure 7.4.3.1.

**7.4.3.2** Horizontal structural steel that has been encased in fire-resistant insulating material to provide a level of fire resistance acceptable to the authority having jurisdiction shall not require water spray protection.

**7.4.3.3 Alternative Engineering Analysis for Horizontal Structural Steel.** Horizontal structural steel shall not require water spray exposure protection where all of the following are met:



**FIGURE 7.4.3.1** Wetted Surface of a Structural Member (a beam or column).

- (1) Horizontal structural steel shall be analyzed and determined, through calculations certified by a registered professional engineer, to withstand the worst-case postulated fire.
- (2) Calculations shall verify that the temperature of the steel members does not exceed that which would compromise structural integrity.
- (3) The calculation methodology shall be approved and acceptable to the authority having jurisdiction.

**7.4.3.4\* Vertical Structural Steel.** Vertical structural steel members shall be protected by nozzles and piping of such size and arrangement as to discharge a net rate of not less than 0.25 gpm/ft<sup>2</sup> [10.2 (L/min)/m<sup>2</sup>] over the wetted area. (See Figure 7.4.3.1.)

**7.4.3.5** Vertical structural steel that has been encased in fire-resistant insulating material to provide a level of fire resistance acceptable to the authority having jurisdiction shall not require water spray protection.

**7.4.3.6 Alternative Engineering Analysis for Vertical Structural Steel.** Vertical structural steel shall not require water spray exposure protection where all of the following are met:

- (1) Vertical structural steel shall be analyzed and determined, through calculations certified by a registered professional engineer, to withstand the worst-case postulated fire.
- (2) Calculations shall verify that the temperature of the steel members does not exceed that which would compromise structural integrity.
- (3) The calculation methodology shall be approved and acceptable to the authority having jurisdiction.

#### 7.4.3.7 Metal Pipe, Tubing, and Conduit.

**7.4.3.7.1** Water spray intended to protect metal pipe, tubing, and conduit in racks shall be directed toward the underside of the pipes, tubes, and conduit.

**7.4.3.7.2** Water spray protection shall be permitted to be applied to the top of pipes on racks where water spray piping cannot be installed below the rack due to the potential of physical damage or where space is inadequate for proper installation.

**7.4.3.7.3** The levels protected and the densities required shall be in accordance with Table 7.4.3.7.3.

**7.4.3.7.4** Water spray shall be applied to the underside of the top level even if located immediately above a protected level.

**Table 7.4.3.7.3 Protection of Metal Pipe, Tubing, and Conduit**

Number of Rack Levels	Plan View Density at Lowest Level		Plan View Density at Upper Level(s)*		Levels Requiring Nozzles
	gpm/ft <sup>2</sup>	(L/min)/m <sup>2</sup>	gpm/ft <sup>2</sup>	(L/min)/m <sup>2</sup>	
1	0.25	10.2	N/A	N/A	All
2	0.20	8.2	0.15	6.1	All
3, 4, or 5	0.20	8.2	0.15	6.1	Alternate
6 or more	0.20	8.2	0.10	4.1	Alternate

\*The table values contemplate exposure from a spill fire.

**7.4.3.7.5** Nozzles shall be selected and positioned such that spray patterns meet or overlap at the protected surface for the entire width of the rack.

**7.4.3.7.6** Nozzles shall be positioned no more than 2½ ft (0.8 m) below the bottom of the level being protected.

**7.4.3.7.7** Where the rack horizontal support members create an obstruction to the spray pattern, nozzles shall be spaced within the bays.

**7.4.3.7.8** Vertical structural supports shall be protected in accordance with 7.4.3.4.

**7.4.3.7.9** Vertically stacked piping shall be protected by water spray directed at one side (vertical plane) of the piping at a net rate of not less than 0.15 gpm/ft<sup>2</sup> [6.1 (L/min)/m<sup>2</sup>].

#### 7.4.3.8 Cable Trays and Cable Runs.

**7.4.3.8.1** Where insulated wire, cable, or nonmetallic tubing in open trays or runs is to be protected by water spray from a spill fire exposure, a net rate of not less than 0.30 gpm/ft<sup>2</sup> [12.2 (L/min)/m<sup>2</sup>] of projected horizontal or vertical plane area containing the cables or tubes shall be provided.

**7.4.3.8.2** Water spray nozzles shall be arranged to supply water at this rate both over and under (or to the front and rear of) cable or tubing runs and to the racks and supports.

#### 7.4.3.8.3 Flame Shield Use.

**7.4.3.8.3.1** Where flame shields equivalent to ¼ in. (1.6 mm) thick steel plate are mounted below cable or tubing runs, the water density requirements shall be permitted to be reduced to a net rate of not less than 0.15 gpm/ft<sup>2</sup> [6.1 (L/min)/m<sup>2</sup>] over the upper surface of the cable or rack.

**7.4.3.8.3.2** The steel plate or equivalent flame shield shall be wide enough to extend at least 6 in. (152 mm) beyond the side rails of the tray or rack in order to deflect flames or heat emanating from spills below cable or conduit runs.

**7.4.3.8.4** Where other water spray nozzles are arranged to extinguish, control, or cool exposing liquid surfaces, the water spray density shall be permitted to be reduced to a net rate of not less than 0.15 gpm/ft<sup>2</sup> [6.1 (L/min)/m<sup>2</sup>] over the upper surface, front, or back of the cable or tubing tray or run.

#### 7.4.4 Transformers.

**7.4.4.1\*** Transformer protection shall provide complete water spray impingement on all exposed exterior surfaces.

**7.4.4.2** Where there is insufficient space to install water spray nozzles underneath transformers such that the water spray cannot directly impinge upon the bottom surfaces, it shall be permitted to protect the surfaces underneath the transformer by horizontal projection or by nozzles directed to cool the area below the transformer projections.

#### 7.4.4.3 Application and Protection.

**7.4.4.3.1** The water shall be applied at a net rate not less than 0.25 gpm/ft<sup>2</sup> [10.2 (L/min)/m<sup>2</sup>] of projected area of rectangular prism envelope for the transformer and its appurtenances, and not less than 0.15 gpm/ft<sup>2</sup> [6.1 (L/min)/m<sup>2</sup>] on the expected nonabsorbing ground surface area of exposure.

**7.4.4.3.2** The water shall be applied at a net rate of not less than 0.15 gpm/ft<sup>2</sup> [6.1 (L/min)/m<sup>2</sup>] on the expected nonabsorbing ground surface area of exposure.

**7.4.4.3.3** Water spray application as specified in 7.4.4.3.1 and 7.4.4.3.2 shall be provided for special configurations, conservator tanks, pumps, and so forth.

**7.4.4.3.4** Where transformer components create spaces greater than 12 in. (305 mm) in width, the surfaces shall be individually protected.

**7.4.4.3.5** Where there is insufficient clearance to achieve direct impingement, it shall be permitted to protect the surfaces underneath the transformer by horizontal projection or by nozzles directed to cool the area below the transformer projections.

**7.4.4.3.6** The water supply shall be capable of supplying both the design flow rate and 250 gpm (946 L/min) for hose streams for a minimum duration of 1 hour.

**7.4.4.4** Water spray piping shall not be routed across the top of the transformer tank or across the face of the transformer cabinet.

**7.4.4.5** Piping shall be permitted to be routed across the top of the transformer tank or across the face of the transformer cabinet, where impingement cannot be accomplished with any other configuration and the required distance from live electrical components is maintained. (See 6.1.2.)

**7.4.4.6** Nozzles shall be positioned such that the water spray does not envelop energized bushings or lightning surge protection devices (SPD) by direct impingement.

**7.4.4.7** Direct impingement of water spray on energized bushings and/or lightning SPDs shall be permitted only when authorized by the manufacturer or manufacturer's literature and the owner.

#### **7.5\* Flammable Vapor Mitigation.**

##### **7.5.1\* Design for Vapor Mitigation.**

**7.5.2** The water spray system shall be designed to operate within the necessary time and shall discharge water for the duration needed to dissolve, dilute, disperse, or cool the flammable vapors, gases, or hazardous materials.

**7.5.3** The duration of the release of the flammable materials shall be included in the determination of the water spray duration time.

**7.5.4** The minimum net rate of application shall be based on field experience with the product or on actual test data.

**7.5.5** The design area of the water spray system shall cover the entire area of any potential spill anticipated, such as the area of a containment dike, pit, and so forth.

**7.5.6** Nozzles of the water spray system shall be located to cover all potential leak points, such as fill and discharge connections, relief valves, flexible connections, flanges, pumps, valves, vessels, and so forth.

**7.5.7** The water spray system shall be activated automatically by gas/vapor detection in accordance with 6.5.2.7 and manually from both the system area and remotely, such as from a control room.

**7.5.7.1\*** It shall be permitted to have the vapor mitigation system activated by both gas/vapor detection and another detection system, such as flame or heat detection, but the gas/vapor detection system shall be capable of activating the water spray system alone.

**7.5.8 Notification of Personnel.** Personnel shall be notified upon receipt of any detection signal in accordance with *NFPA 72*.

**7.5.9 Fire Risk Analysis.** A fire risk analysis shall be conducted that considers the following additional items in the design of the water spray system for vapor mitigation:

- (1) Importance to continuity of operation
- (2) Size, type, location, and construction of equipment
- (3) Physical properties of the chemicals involved
- (4) Water supply
- (5) Value of equipment
- (6) Climate
- (7) Water delivery time
- (8) Environment
- (9) Access for firefighting
- (10) Projected flammable liquid or material spill pattern
- (11) Potential for flammable vapor release
- (12) Proximity of personnel to hazard area
- (13) Protection of system actuation valve from fire and explosion
- (14) Blast containment and pressure relief
- (15) Protection of electrical circuits, including explosion-proof equipment
- (16) Potential for fire spread beyond hazard area
- (17) Required replacement time for process equipment
- (18) Potential for business interruption
- (19) Notification of personnel upon vapor detection
- (20) Potential for a vapor cloud explosion (VCE)

#### **7.6 Combined Systems.**

##### **7.6.1\* General.**

**7.6.1.1** The sprinkler system portion of combined systems shall be designed and installed in accordance with *NFPA 13*.

**7.6.1.2** The water spray portion of any combined system shall be designed and installed in accordance with this standard.

##### **7.6.2\* Design.**

**7.6.2.1** The system demand shall include the simultaneous hydraulic demand from all sprinklers and water spray nozzles on the system.

**7.6.2.2** The water spray component of the combined demand shall not reduce the minimum required sprinkler discharge density.

#### **7.7 Automatic Detection Equipment.**

**7.7.1\* General.** Detection systems providing an actuation signal to fixed water spray systems shall be designed in accordance with *NFPA 72*.

**7.7.2** The spacing, location, and position of detectors shall be in accordance with 6.5.2.

**7.7.3\*** The following shall be evaluated when selecting and adjusting detection equipment:

- (1) Normally changing conditions
- (2) Non-fire temperature changes

### 7.7.4\* Response Time.

7.7.4.1 The detection system shall be designed to cause actuation of the system actuation valve to operate without delay.

7.7.4.2 Where ambient conditions exist that cause false system operations, detection systems shall be permitted to include delays or activation of any two or more detectors to cause actuation of the system.

## Chapter 8 Plans and Hydraulic Calculations

### 8.1 General.

8.1.1\* Hydraulic calculations shall be conducted as part of the design of the piping system to determine that the required pressure and flow is available at each nozzle.

8.1.2\* Minimum operating pressure of any nozzle protecting outdoor hazards shall be 20 psi (1.4 bar).

8.1.3 Nozzles protecting interior hazards shall have minimum operating pressures in accordance with their listing.

8.1.4\* Except where permitted by 8.1.5, correction for velocity pressure shall be included in the calculations.

8.1.5\* The calculations shall be permitted to ignore velocity pressure corrections where the velocity pressure does not exceed 5 percent of the total pressure at each junction point.

### 8.2 Working Plans.

#### 8.2.1 General.

8.2.1.1 Working plans shall be submitted to the authority having jurisdiction before any equipment is installed or remodeled.

8.2.1.2 Deviation from approved plans shall require permission of the authority having jurisdiction.

8.2.1.3 Working plans, including elevations, shall be drawn to an indicated scale, show all essential details, and include the following pertinent data as a minimum:

- (1) The dates of initial submission and revisions.
- (2) The name of the owner and occupant.
- (3) The name and address of the contractor and layout technician.
- (4) The location, including the street address.
- (5) The point of the compass.
- (6) The full height cross section.
- (7) The structural features.
- (8) The relative elevations of nozzles, junction points, and supply or reference points.
- (9) Full information concerning water supplies, including such items as pumps, underground mains, earthquake protection, and flow test results.
- (10) The make, type, size, location, position, and direction of spray nozzles.
- (11) The make, type, model, and size of the system actuation valve, control valve, or special system valve. The method of control valve supervision shall be indicated on the plans.
- (12) The type and location of alarm devices to be provided.
- (13) The type and location of the control panel.

- (14) The number of each size and type of spray nozzles on each system.
- (15) The type of pipe and schedule of wall thickness, lengths of pipe, and whether center to center or cutting lengths are shown.
- (16) The size and type of all fittings; the dimensions and locations of shop-welded sections.
- (17) The sensing devices for detection, including the type, arrangement, and location.
- (18) The hydraulic reference points shown on the plan shall correspond to comparable reference points on the hydraulic calculation sheets.
- (19) The calculated system demand at a reference point.
- (20) The total designed water demand with the number of systems designed to operate simultaneously at a reference point, preferably the source of supply, including hose streams and other fire protection equipment.
- (21) The density requirements and hazard surface calculation, where applicable.
- (22) The design objective of the system.
- (23) The make, type, and location of hangers, supports, sleeves, sway bracing, and inserts.
- (24) All control and check valves, strainers, drain pipes, and test pipes.
- (25) A graphic representation of the scale used on all plans.
- (26) The weight or class, lining, and size of underground pipe, and the depth that the top of the pipe is to be laid below grade.
- (27) Provisions for flushing underground pipe.
- (28) Accurate and complete layout of the hazard to be protected.

8.2.1.4 The working plan submittal shall include manufacturer's installation instructions for any specially listed equipment, including descriptions, applications, and limitations for any nozzles, devices, piping, fittings, supports, and bracing materials.

8.2.1.5 Where the equipment to be installed is an addition or change to an existing system, details of the existing system shall be indicated on the working plans to allow for review of the design and supporting hydraulic calculations.

### 8.3\* Hydraulic Calculations.

8.3.1 Hydraulic calculations shall be prepared on forms that include a summary sheet, detailed worksheet, and a graph sheet.

8.3.2 **Summary Sheet.** The summary sheet [for sample summary sheet, see Figure B.1(a)] shall contain all of the following information where applicable:

- (1) The date
- (2) The location
- (3) The name of the owner and occupant
- (4) The building or plant number
- (5) A description of the hazard
- (6) The name and address of the contractor and calculator
- (7) The name of the authority having jurisdiction
- (8) The design purpose
- (9) The rates of the water application (density) and applied areas in gpm/ft<sup>2</sup> [L/min)/m<sup>2</sup>]
- (10) The total system water requirements as calculated, including allowance for hose streams

- (11) The total designed water demand with number of systems designed to operate simultaneously at a reference point, preferably the source of supply, including hose streams and other fire protection equipment
- (12) Water supply information

**8.3.3 Detailed Worksheets.** Detailed worksheets or computer printout sheets [for sample worksheet, see Figure B.1(b)] shall contain all of the following information:

- (1) Sheet number, date, job number, and identification of calculations covered
- (2) Description of discharge constant (K) (or provide the discharge curve or tabulation) for each nozzle type
- (3) Hydraulic reference points
- (4) Flow in gpm (L/min)
- (5) Pipe size in in. (mm)
- (6) Pipe lengths, center to center of fittings (or cut lengths) in ft (m)
- (7) Equivalent pipe lengths for fittings and devices in ft (m)
- (8) Friction loss in psi (bar) between reference points
- (9) Total friction loss in psi (bar) between reference points
- (10) Elevation head in psi (bar) between reference points
- (11) Required pressure in psi (bar) at each reference point
- (12) Velocity pressure and normal pressure if included in calculations
- (13) Notes to indicate starting points, reference to other sheets, or to clarify data shown
- (14) Combined *K*-factor calculations for nozzles on drops, armovers, or sprigs where calculations do not begin at a nozzle
- (15) Where extending existing equipment, hydraulic calculations indicating the previous design, volume, and pressure at points of connection, and adequate additional calculations to indicate effect on existing systems

#### 8.3.4\* Graph Sheet.

**8.3.4.1** The graph sheet shall be plotted on semi-logarithmic graph paper ( $Q^{1.85}$ ).

**8.3.4.2** Water supply curves and system requirements, plus hose demand if required, shall be plotted to present a graphic summary of the complete hydraulic calculation.

**8.4 Water Supply Information.** The following information shall be included on the plans and calculations:

- (1) Location and elevation of static and residual test gauge, with relation to the system actuation valve reference point
- (2) Flow location
- (3) Static pressure, psi (bar)
- (4) Residual pressure, psi (bar)
- (5) Flow, gpm (L/min)
- (6) Date
- (7) Time
- (8) Source of water flow test information
- (9) Other sources of water supply, with pressure or elevation

**8.4.1** Where a waterflow test is used for the purposes of system design, the test shall be conducted no more than 12 months prior to working plan submittal unless otherwise approved by the authority having jurisdiction.

## 8.5 Hydraulic Calculation Procedures.

### 8.5.1 Formulae.

**8.5.1.1 Friction Loss Formula.** Pipe friction losses shall be determined on the basis of the Hazen-Williams formula,

[8.5.1.1a]

$$p = \frac{4.52Q^{1.85}}{C^{1.85}d^{4.87}}$$

where:

$p$  = frictional resistance (psi per foot of pipe)

$Q$  = flow (gpm)

$C$  = friction loss coefficient

$d$  = actual internal diameter of pipe (in.)

or in SI units,

[8.5.1.1.b]

$$P_m = 6.05 \times \frac{Q_m^{1.85}}{C^{1.85}d_m^{4.87}} \times 10^5$$

where:

$P_m$  = frictional resistance (bars per meter of pipe)

$Q_m$  = flow (L/min)

$C$  = friction loss coefficient

$d_m$  = actual internal diameter (mm)

**8.5.1.2\* Velocity Pressure Formula.** The velocity pressure shall be determined on the basis of the formula,

[8.5.1.2]

$$P_v = \frac{0.001123Q^2}{D^4}$$

where:

$P_v$  = velocity pressure (psi)

$Q$  = flow (gpm)

$D$  = inside diameter (in.)

**8.5.1.3 Normal Pressure Formula.** Normal pressure shall be determined on the basis of the formula,

[8.5.1.3]

$$P_n = P_t - P_v$$

where:

$P_n$  = normal pressure [psi (bar)]

$P_t$  = total pressure [psi (bar)]

$P_v$  = velocity pressure [psi (bar)]

### 8.5.1.4 Hydraulic Junction Points.

**8.5.1.4.1** Hydraulic junction point calculations shall be balanced within 0.5 psi (0.03 bar).

**8.5.1.4.2** The highest pressure at the junction point, and the total flows as adjusted, shall be carried into the calculations.

**Table 8.5.2.1 Equivalent Pipe Length Chart**

Fittings and Valves	Fittings and Valves Expressed in Equivalent Feet (Meters) of Pipe													
	¾ in.		1 in.		1¼ in.		1½ in.		2 in.		2½ in.		3 in.	
	ft	m	ft	m	ft	m	ft	m	ft	m	ft	m	ft	m
45° elbow	1	0.3	1	0.3	1	0.3	2	0.6	2	0.6	3	0.9	3	0.9
90° standard elbow	2	0.6	2	0.6	3	0.9	4	1.2	5	1.5	6	1.8	7	2.1
90° long turn elbow	1	0.3	2	0.6	2	0.6	2	0.6	3	0.9	4	1.2	5	1.5
Tee or cross (flow turned 90°)	4	1.2	5	1.5	6	1.8	8	2.4	10	3.1	12	3.7	15	4.6
Gate valve	—	—	—	—	—	—	—	—	1	0.3	1	0.3	1	0.3
Butterfly valve	—	—	—	—	—	—	—	—	6	1.8	7	2.1	10	3.1
Swing check*	4	1.2	5	1.5	7	2.1	9	2.7	11	3.4	14	4.3	16	4.9

Fittings and Valves	Fittings and Valves Expressed in Equivalent Feet (Meters) of Pipe													
	¾ in.		4 in.		5 in.		6 in.		8 in.		10 in.		12 in.	
	ft	m	ft	m	ft	m	ft	m	ft	m	ft	m	ft	m
45° elbow	3	0.9	4	1.2	5	1.5	7	2.1	9	2.7	11	3.4	13	4.0
90° standard elbow	8	2.4	10	3.1	12	3.7	14	4.3	18	5.5	22	6.7	27	8.2
90° long turn elbow	5	1.5	6	1.8	8	2.4	9	2.7	13	4.0	16	4.9	18	5.5
Tee or cross (flow turned 90°)	17	5.2	20	6.1	25	7.6	30	9.2	35	10.7	50	15.3	60	18.3
Gate valve	1	0.3	2	0.6	2	0.6	3	0.9	4	1.2	5	1.5	6	1.8
Butterfly valve	—	—	12	3.7	9	2.7	10	3.1	12	3.7	19	5.8	21	6.4
Swing check*	19	5.8	22	6.7	27	8.2	32	9.8	45	13.7	55	16.8	65	19.8

\*Due to the variations in design of swing check valves, the pipe equivalents indicated in this chart are to be considered average.

- Notes:
- (1) Use the equivalent ft (m) value for the “standard elbow” on any abrupt 90° turn such as the screw-type pattern. Use the equivalent ft (m) value for the “long turn elbow” on any sweeping 90° turn such as flanged, welded, or mechanical joint elbow type.
  - (2) For internal pipe diameters different from Schedule 40 steel pipe, multiply the equivalent feet by a factor derived from the following formula:

[8.5.2.1]

$$\left( \frac{\text{actual inside diameter}}{\text{Schedule 40 steel pipe inside diameter}} \right)^{4.87} = \text{factor}$$

**8.5.1.4.3** Hydraulic junction point calculations, except for loops, shall be balanced to the higher pressure by the formula (corrected for elevations),

or in SI units,

[8.5.1.4.3]

$$\frac{Q_1}{Q_2} = \sqrt{\frac{P_1}{P_2}}$$

**8.5.1.5 Nozzle Discharge Formula.**

**8.5.1.5.1** The discharge of a nozzle shall be calculated by the formula,

[8.5.1.5.1a]

$$Q = K\sqrt{P}$$

- where:
- Q = flow from the nozzle (gpm)
  - K = nozzle K-factor
  - P = total pressure at flow Q (psi)

$$Q_m = K_m \sqrt{P_m}$$

[8.5.1.5.1b]

- where:
- Q<sub>m</sub> = flow (L/min)
  - K<sub>m</sub> = nozzle K-factor (where K<sub>m</sub> equals 14.4 K)
  - P<sub>m</sub> = total pressure at flow Q<sub>m</sub> (bar)

**8.5.1.5.2** The normal pressure (P<sub>n</sub>), calculated by subtracting the velocity pressure (P<sub>v</sub>) from the total pressure (P<sub>t</sub>), shall be permitted to be used to calculate the nozzle discharge, unless the nozzle is an end nozzle, where total pressure (P<sub>t</sub>) is permitted per 8.1.5.

**8.5.2 Equivalent Pipe Lengths of Valves and Fittings.**

**8.5.2.1** Table 8.5.2.1 shall be used to determine equivalent lengths of valves and fittings, unless the manufacturer’s test data indicates that other factors are appropriate.

**8.5.2.2** Specific friction loss values or equivalent pipe lengths for system actuation valves and other devices shall be made available to the authority having jurisdiction.

**8.5.2.3** Table 8.5.2.1 shall be used with a Hazen-Williams *C* factor of 120 only. For other values of *C*, the quantities in Table 8.5.2.1 shall be multiplied by the factors given in Table 8.5.2.3.

**8.5.3\* Calculation Procedure.**

**8.5.3.1** Worksheets shall be provided to show the flow and pressure for all nozzles and junction points to the water supply.

**8.5.3.2** A graph sheet shall be included with the calculations in accordance with 8.3.4.

**8.5.3.3** The friction loss for all pipes, and devices such as valves, meters, and strainers, shall be included in the calculation.

**8.5.3.4** A legend of the symbols used for all devices shall be included.

**8.5.3.5** The friction loss of all fittings shall be calculated where a change in direction of the flow occurs, as follows:

- (1) The friction loss for a tee or a cross shall be calculated where the flow direction change occurs, based on the equivalent pipe length for the smaller size of the tee or cross in the path of the turn. Friction loss for that portion of the flow that passes straight through the run of a tee or a cross shall not be included.
- (2) The friction loss of reducing elbows shall be calculated based on the equivalent length value in feet of the smallest outlet.
- (3) Friction loss shall be excluded for tapered reducers and for the fitting directly supplying the spray nozzle.

**8.5.3.6** Elevation changes affecting the discharge or the total required pressure, or both, shall be included in the calculations at the point of occurrence.

**8.5.3.7** The water allowance for hose stream(s), where served from the same supply, shall be added to the system requirement at the system connection to the supply main.

**8.5.3.8** The total water requirements shall then be calculated to a known water supply reference point.

**8.5.3.9** Orifice plates shall not be used for balancing the system.

**Table 8.5.2.3 C Value Multipliers**

Hazen-Williams <i>C</i> Value	Multiplying Factor
100	0.713
120	1.00
130	1.16
140	1.33
150	1.51

Notes:

- (1) This is based upon the friction loss through the fitting being independent of the *C* factor applicable to the piping.
- (2) Specific friction loss values or equivalent pipe lengths for alarm valves, dry-pipe valves, deluge valves, strainers, and other devices or fittings should be made available to the authority having jurisdiction.

**8.5.3.10** Pipe friction loss shall be calculated in accordance with the Hazen-Williams formula, using *C* values as shown in Table 8.5.3.10, and using the actual internal pipe diameter in the formula.

**Table 8.5.3.10 Hazen-Williams *C* Value for Pipe and Tube**

Pipe or Tube	Hazen-Williams <i>C</i> Value
Unlined cast or ductile iron	100
Black steel (wet systems including deluge systems)	120
Black steel (dry systems including preaction systems)	100
Galvanized steel (wet systems including deluge systems)	120
Galvanized steel (dry systems including preaction systems)	100
Plastic (listed) — underground	150
Cement-lined cast or ductile iron	140
Copper tube or stainless steel	150

**8.5.3.11** Different *C* values shall be permitted to be used where required by the authority having jurisdiction.

## Chapter 9 Water Supplies

**9.1 General.** Every water spray system shall have at least one automatic water supply.

**9.2 Volume and Pressure.**

**9.2.1** The water supplies shall be capable of providing the required flow and pressure for the required duration, including systems designed to operate simultaneously, as specified in Chapter 7.

**9.2.2** For water supply distribution systems, an allowance for the flow rate of other fire protection water requirements shall be made in determining the total water supply requirement.

**9.3 Acceptable Water Supply Systems.**

**9.3.1\*** Water for water spray systems shall be from one or more water supplies, such as the following:

- (1) Connections to waterworks systems, in accordance with NFPA 24
- (2) Gravity tanks, in accordance with NFPA 22
- (3) Fire pumps with adequate water supply, in accordance with NFPA 20
- (4) Pressure tanks, in accordance with NFPA 22 and NFPA 13 sized per the hydraulically calculated method

**9.3.2** Installation of underground private fire service mains connecting water spray systems to water supplies shall be in conformance with the applicable criteria of NFPA 13.

## Chapter 10 System Acceptance

**10.1\* Certification.**

**10.1.1** The contractor shall prepare and submit a set of as-built drawings and hydraulic calculations of the system and maintenance and instruction bulletins.

**10.1.2** The installing contractor shall complete the following procedures:

- (1) Notify the authority having jurisdiction and the property owner or the property owner's authorized representative of the time and date that testing will be performed
- (2) Perform all required acceptance tests as required by this chapter
- (3) Complete and sign the contractor's material and test certificate(s) as indicated in Figure 10.1.2(a) and Figure 10.1.2(b), certifying that the work has been completed and tested in accordance with approved plans and specifications

## 10.2 Flushing of Supply Pipe.

**10.2.1\*** Underground mains and lead-in connections to system risers shall be flushed thoroughly before connection is made to system piping in order to remove foreign materials that might have entered the underground mains or connections during the course of the installation or that might have been present in existing piping. The minimum flow rate shall be at least that necessary to provide a velocity of 10 ft/sec (3 m/sec). (See Table 10.2.1.)

**10.2.2** Where the water supply cannot provide a velocity of 10 ft/sec (3 m/sec), then the supply piping shall be permitted to be flushed at the maximum flow rate available to the system under fire conditions.

**10.2.3** The flushing operations for all supply pipe shall be continued for a sufficient time to ensure thorough cleaning.

**10.2.4** All supply pipe shall be made free of debris that would inhibit system discharge.

**10.2.5** Where flushing is not possible, cleanliness shall be determined by internal examination of all sections of pipe not flushed.

**10.3 Hydrostatic Pressure Tests.** All new system piping shall be hydrostatically tested in accordance with the provisions of NFPA 13.

## 10.4 Operating Tests.

**10.4.1 Performance.** Operation tests shall be conducted to ensure that the water spray system(s) will respond as designed, both automatically and manually.

### 10.4.2\* Response Time.

**10.4.2.1** Under test conditions, the heat detection system, where exposed to a heat source or open pilot sprinkler line test valve, shall operate the system actuation valve within 40 seconds.

**10.4.2.2** Under test conditions, the flammable gas detection system shall operate within the time frame specified in the system design.

**10.4.2.3** All test times shall be recorded.

**10.4.2.4** Response time for ultra-high-speed water spray systems shall comply with 12.2.2.

### 10.4.3 Discharge Tests on Systems with Open Nozzles.

**10.4.3.1** The water discharge patterns from all of the spray nozzles shall be observed to verify the following:

- (1) Patterns are not impeded by plugging of the nozzles.

- (2) Nozzles are properly positioned.

- (3) Nozzle discharge patterns are not obstructed from wetting surfaces to be protected as designed.

### 10.4.3.2 Pressure Readings.

**10.4.3.2.1** Pressure readings shall be recorded at the hydraulically most remote nozzle to verify that the water flow has not been impeded.

**10.4.3.2.2** A second pressure reading shall be recorded at the system actuation valve to ensure the water supply is adequate.

**10.4.3.2.3** During the acceptance discharge test, the system control valve shall be partially closed as necessary to reduce the gauge pressure at the hydraulically most remote nozzle to match the minimum required nozzle pressure from the hydraulic calculations.

**10.4.3.2.3.1** With the remote gauge reading the minimum pressure, the system riser gauge shall be recorded and be at least equal to the calculated pressure at that point.

**10.4.3.2.3.2** Pattern and coverage from each open nozzle shall be observed to verify adequate operation.

**10.4.3.2.4** Those readings shall be compared to the design criteria to determine that the system is operating as designed.

**10.4.3.3** The time lapse between operation of the detection systems and water flow at the most remote water spray nozzle shall be recorded.

**10.4.3.4** The time lapse for ultra-high-speed water spray systems shall comply with 12.2.2.

**10.4.4 Manual Operation.** Each manual actuation device shall be tested.

**10.4.5 Multiple Systems.** The maximum number of systems that would be expected to operate in case of fire shall be tested simultaneously to determine the adequacy and condition of the water supply.

## 10.5 Hydraulic Design Information Sign.

**10.5.1** The installing contractor shall identify a hydraulically designed water spray system with a permanently marked, weatherproof, metal or rigid plastic sign secured with corrosion resistant wire, chain, or other approved means placed at the alarm valve, dry pipe valve, preaction valve, or deluge valve supplying the corresponding hydraulically designed area.

**10.5.2** The sign shall include the following information:

- (1) Location of the design area or areas
- (2) Discharge densities over the design area or areas
- (3) Required flow and residual pressure demand at the base of the riser
- (4) Design objective
- (5) Hose stream allowance included in addition to the system demand
- (6) The name of the installing contractor

## 10.6 General Information Sign.

**10.6.1** The installing contractor shall provide a general information sign used to determine system design basis and information relevant to the inspection, testing, and maintenance requirements required by NFPA 25. [13:28.6.1]



## CONTRACTOR'S MATERIAL AND TEST CERTIFICATE FOR WATER SPRAY SYSTEM

### Property Information

Building name: \_\_\_\_\_

Building address: \_\_\_\_\_

Owner's name: \_\_\_\_\_

Owner's address: \_\_\_\_\_

Owner's phone/fax/e-mail: \_\_\_\_\_

### System Designer/Contractor

Company name: \_\_\_\_\_

Address: \_\_\_\_\_

Contact person: \_\_\_\_\_

Designer qualifications: \_\_\_\_\_

Owner's phone/fax/e-mail: \_\_\_\_\_

Submittal date: \_\_\_\_\_

Log no.: \_\_\_\_\_

File no.: \_\_\_\_\_

Plan examiner: \_\_\_\_\_

Approval date: \_\_\_\_\_

Permit no.: \_\_\_\_\_

### General

Building type:  New  Existing  Renovation Area: \_\_\_\_\_

Construction type:  Fire-resistive  Noncombustible  Ordinary  Heavy timber  
 Wood frame  Mixed

Occupancy classification: \_\_\_\_\_

### Water Spray System Type

Wet  Dry  Preaction  Deluge  Spray

Sprinkler/nozzle omitted in any areas?  Yes  No

Spare sprinklers/nozzles provided?  Yes  No

Sprinkler/nozzle wrench provided?  Yes  No

Area of coverage:  Total  Partial  Special hazard  Other

### Fire Pump

Fire pump provided?  Yes  No

If yes, rated capacity: \_\_\_\_\_ gpm @ \_\_\_\_\_ psi

Type of pump:  Electric  Diesel  Steam

FIGURE 10.1.2(a) Contractor's Material and Test Certificate for Water Spray System

**CONTRACTOR'S MATERIAL AND TEST CERTIFICATE  
FOR WATER SPRAY SYSTEM (continued)**

**Hydrostatic Test**

All piping tested at \_\_\_\_\_ psi for \_\_\_\_\_ hours

Dry piping pneumatically tested?  Yes  No

Equipment operates properly?  Yes  No

Do you certify as the installing contractor that additives and corrosive chemicals, sodium silicate, brine, or other corrosive chemicals were not used for testing systems or stopping leaks?  Yes  No

**Main Drain Test**

Static pressure: \_\_\_\_\_ psi

Residual pressure: \_\_\_\_\_ psi

**Instructions**

Has person in charge of fire equipment been instructed as to location of control valves and care and maintenance of this new equipment?  Yes  No

If no, explain: \_\_\_\_\_

Have copies of the following been left on the premises?

- 1. System components instructions  Yes  No
- 2. Care and maintenance instructions  Yes  No
- 3. NFPA 25  Yes  No

**Nozzles**

Make	Model	Year of manufacture	Orifice size	Quantity	Temperature rating

**Alarm Valve or Flow Indicator**

Alarm device			Minimum time to operate through test connection	
Type	Make	Model	min	sec

**FIGURE 10.1.2(a)** *Continued*

**CONTRACTOR'S MATERIAL AND TEST CERTIFICATE  
FOR WATER SPRAY SYSTEM (continued)**

**Dry Pipe Operating Test**

Dry valve			Q.O.D.		
Make	Model	Serial no.	Make	Model	Serial no.

Time to trip through test connection	Water pressure		Air pressure	Trip point air pressure	Time water reached test outlet		Alarm operated properly		
	min	sec	psi	psi	psi	min	sec	Yes	No
Without Q.O.D.									
With Q.O.D.									

**Deluge and Preaction Valves**

Operation:    Pneumatic    Electric    Hydraulic

Piping supervised?    Yes    No

Detecting media supervised?    Yes    No

Does valve operate from the manual trip, remote, or both control actions?    Yes    No

Is there an accessible facility in each circuit for testing?    Yes    No

If no, explain: \_\_\_\_\_

Make	Model	Does Each Circuit Operate Supervision Loss Alarm?		Does Each Circuit Operate Valve Release?		Maximum Time to Operate Release?	
		Yes	No	Yes	No	min	sec

**Tests**

Drain test

Reading of gauge located near water supply test connection: \_\_\_\_\_ psi ( \_\_\_\_\_ bar)

Residual pressure with valve in test connection open wide: \_\_\_\_\_ psi ( \_\_\_\_\_ bar)

Underground main and lean-in connections to system risers flushed before connection made to sprinkler piping?    Yes    No

Verified by copy of the Contractor's Material and Test Certificate for Underground Piping?    Yes    No

Flushed by installer of underground sprinkler piping?    Yes    No

Other, explain: \_\_\_\_\_

If powder-driven fasteners are used in concrete, has representative sample testing been satisfactorily completed?    Yes    No

If no, explain: \_\_\_\_\_

**FIGURE 10.1.2(a) Continued**

**CONTRACTOR'S MATERIAL AND TEST CERTIFICATE  
FOR WATER SPRAY SYSTEM (continued)**

**Blank Testing Gasket**

Number used: \_\_\_\_\_ Locations: \_\_\_\_\_ Number removed: \_\_\_\_\_

**Welding**

Welding piping?  Yes  No

If yes...

Do you certify as the sprinkler contractor that welding procedures used complied with the minimum requirements of ASME, *Boiler and Pressure Vessel Code (BPVC)*, Section IX, *Welding, Brazing, and Fusing Qualifications*, or other applicable qualification standard as required by the AHJ?  Yes  No

Do you certify that all welding was performed by welders or welding operators qualified in accordance with the minimum requirements of ASME, *Boiler and Pressure Vessel Code (BPVC)*, Section IX, *Welding, Brazing, and Fusing Qualifications*, or other applicable qualification standard as required by the AHJ?  Yes  No

Do you certify that the welding was conducted in compliance with a documented quality control procedure to ensure that (1) all discs are retrieved; (2) that openings in piping are smooth, that slag and other welding residue are removed; (3) the internal diameters of piping are not penetrated; (4) completed welds are free from cracks, incomplete fusion, surface porosity greater than 1/16 in. diameter, undercut deeper than the less of 25% of the wall thickness or 1/32 in.; and (5) completed circumferential butt weld reinforcement does not exceed 3/32 in.?  Yes  No

**Cutouts (discs)**

Do you certify that you have a control feature to ensure that all cutouts (discs) are retrieved?  Yes  No

**Hydraulic Data Nameplate**

Nameplate provided?  Yes  No

If no, explain: \_\_\_\_\_

Date left in service with all control valves open: \_\_\_\_\_

**Tests Witnessed by**

\_\_\_\_\_  
Owner/authorized agent Title Date

\_\_\_\_\_  
Installing contractor Title Date

Additional explanations/notes: \_\_\_\_\_

\_\_\_\_\_  
\_\_\_\_\_  
\_\_\_\_\_  
\_\_\_\_\_

FIGURE 10.1.2(a) Continued

<b>Contractor's Material and Test Certificate for Underground Piping</b>			
<p><b>PROCEDURE</b>                      Upon completion of work, inspection and tests shall be made by the contractor's representative and witnessed by an owner's representative. All defects shall be corrected and system left in service before contractor's personnel finally leave the job.                       A certificate shall be filled out and signed by both representatives. Copies shall be prepared for approving authorities, owners, and contractor. It is understood the owner's representative's signature in no way prejudices any claim against contractor for faulty material, poor workmanship, or failure to comply with approving authority's requirements or local ordinances.</p>			
Property name	Date		
Property address			
<b>Plans</b>	Accepted by approving authorities (names)		
	Address		
	Installation conforms to accepted plans <span style="float: right;"><input type="checkbox"/> Yes <input type="checkbox"/> No</span> Equipment used is approved <span style="float: right;"><input type="checkbox"/> Yes <input type="checkbox"/> No</span> If no, state deviations		
<b>Instructions</b>	Has person in charge of fire equipment been instructed as to location of control valves and care and maintenance of this new equipment? If no, explain <span style="float: right;"><input type="checkbox"/> Yes <input type="checkbox"/> No</span>		
	Have copies of appropriate instructions and care and maintenance charts been provided to the owner or owner's representative? If no, explain <span style="float: right;"><input type="checkbox"/> Yes <input type="checkbox"/> No</span>		
<b>Location</b>	Supplies buildings		
<b>Underground pipes and joints</b>	Pipe types and class <span style="float: right;">Type joint</span>		
	Pipe conforms to _____ standard <span style="float: right;"><input type="checkbox"/> Yes <input type="checkbox"/> No</span> Fittings conform to _____ standard <span style="float: right;"><input type="checkbox"/> Yes <input type="checkbox"/> No</span> If no, explain		
	Joints needing anchorage clamped, strapped, or blocked in accordance with _____ standard <span style="float: right;"><input type="checkbox"/> Yes <input type="checkbox"/> No</span> If no, explain		
<b>Test description</b>	<p>Flushing: Flow the required rate until water is verified to be clear of debris at outlets such as hydrants and blow-offs. Flush at one of the flow rates as specified in 10.10.2.1.3.                      Hydrostatic: All piping and attached appurtenances subjected to system working pressure shall be hydrostatically tested at 200 psi (13.8 bar) or 50 psi (3.4 bar) in excess of the system working pressure, whichever is greater, and shall maintain that pressure ±5 psi (0.34 bar) for 2 hours.                      Hydrostatic Testing Allowance: Where additional water is added to the system to maintain the test pressures required by 10.10.2.2.1, the amount of water shall be measured and shall not exceed the limits of the following equation (for metric equation, see 10.10.2.2.6):</p> $L = \frac{SD\sqrt{P}}{148,000}$ <p style="font-size: small;">                         L = testing allowance (makeup water), in gallons per hour (lpm)                          S = length of pipe tested, in feet (m)                          D = nominal diameter of the pipe, in inches (mm)                          P = average test pressure during the hydrostatic test, in pounds per square inch (gauge) (bar)                     </p>		
<b>Flushing tests</b>	New underground piping flushed according to _____ standard by (company) <span style="float: right;"><input type="checkbox"/> Yes <input type="checkbox"/> No</span> If no, explain		
	<table style="width: 100%; border: none;"> <tr> <td style="width: 50%; border: none;">                             How flushing flow was obtained  <input type="checkbox"/> Public water    <input type="checkbox"/> Tank or reservoir    <input type="checkbox"/> Fire pump                         </td> <td style="width: 50%; border: none;">                             Through what type opening  <input type="checkbox"/> Hydrant butt    <input type="checkbox"/> Open pipe                         </td> </tr> </table>	How flushing flow was obtained <input type="checkbox"/> Public water <input type="checkbox"/> Tank or reservoir <input type="checkbox"/> Fire pump	Through what type opening <input type="checkbox"/> Hydrant butt <input type="checkbox"/> Open pipe
	How flushing flow was obtained <input type="checkbox"/> Public water <input type="checkbox"/> Tank or reservoir <input type="checkbox"/> Fire pump	Through what type opening <input type="checkbox"/> Hydrant butt <input type="checkbox"/> Open pipe	
	Lead-ins flushed according to _____ standard by (company) <span style="float: right;"><input type="checkbox"/> Yes <input type="checkbox"/> No</span> If no, explain		
<table style="width: 100%; border: none;"> <tr> <td style="width: 50%; border: none;">                             How flushing flow was obtained  <input type="checkbox"/> Public water    <input type="checkbox"/> Tank or reservoir    <input type="checkbox"/> Fire pump                         </td> <td style="width: 50%; border: none;">                             Through what type opening  <input type="checkbox"/> Y connection to flange and spigot    <input type="checkbox"/> Open pipe                         </td> </tr> </table>	How flushing flow was obtained <input type="checkbox"/> Public water <input type="checkbox"/> Tank or reservoir <input type="checkbox"/> Fire pump	Through what type opening <input type="checkbox"/> Y connection to flange and spigot <input type="checkbox"/> Open pipe	
How flushing flow was obtained <input type="checkbox"/> Public water <input type="checkbox"/> Tank or reservoir <input type="checkbox"/> Fire pump	Through what type opening <input type="checkbox"/> Y connection to flange and spigot <input type="checkbox"/> Open pipe		
© 2021 National Fire Protection Association <span style="float: right;">NFPA 15 (p. 1 of 2)</span>			

**FIGURE 10.1.2(b) Sample of Contractor's Material and Test Certificate for Underground Piping. [24:Figure 10.10.1]**

<b>Hydrostatic test</b>	All new underground piping hydrostatically tested at _____ psi (bar) for _____ hours		Joints covered <input type="checkbox"/> Yes <input type="checkbox"/> No
	Total amount of leakage measured _____ gallons (liters) _____ hours		
<b>Leakage test</b>	Allowable leakage _____ gallons (liters) _____ hours		
	Forward flow test performed in accordance with 10.10.2.5.2:  <input type="checkbox"/> Yes <input type="checkbox"/> No		
<b>Hydrants</b>	Number installed	Type and make	All operate satisfactorily <input type="checkbox"/> Yes <input type="checkbox"/> No
	Water control valves left wide open If no, state reason		<input type="checkbox"/> Yes <input type="checkbox"/> No
<b>Control valves</b>	Hose threads of fire department connections and hydrants interchangeable with those of fire department answering alarm		<input type="checkbox"/> Yes <input type="checkbox"/> No
	Date left in service		
<b>Remarks</b>			
<b>Signatures</b>	Name of installing contractor		
	<b>Tests witnessed by</b>		
	For property owner (signed)	Title	Date
	For installing contractor (signed)	Title	Date
Additional explanation and notes			
<p>© 2021 National Fire Protection Association</p> <p style="text-align: right;">NFPA 15 (p. 2 of 2)</p>			

FIGURE 10.1.2(b) *Continued*

**Table 10.2.1 Flow Required to Produce a Velocity of 10 ft/sec (3 m/sec) in Pipes**

Pipe Size		Flow	
in.	mm	gpm	L/min
4	100	390	1,476
6	150	880	3,331
8	200	1,560	5,905
10	250	2,440	9,235
12	300	3,520	13,323

**10.6.1.1** Such general information shall be provided with a permanently marked, weatherproof, metal, or rigid plastic sign, secured with corrosion-resistant wire, chain, or other acceptable means. [13:28.6.1.1]

**10.6.1.2** Such signs shall be placed at each system control riser and auxiliary system control valve.

**10.6.2** The sign shall include the following information:

- (1) Name and location of the facility protected
- (2) Design objective
- (3) Flow test data
- (4) Presence of flammable/combustible liquids
- (5) Presence of hazardous materials
- (6) Presence of other special storage
- (7) Location of auxiliary drains and low point drains on dry pipe and preaction systems
- (8) Original results of main drain flow test
- (9) Name of installing contractor or designer
- (10) Where injection systems are installed to treat MIC or corrosion, the type of chemical, concentration of the chemical, and where information can be found as to the proper disposal of the chemical

## Chapter 11 System Inspection, Testing, and Maintenance

### 11.1 General.

**11.1.1** A water spray system installed in accordance with this standard shall be properly inspected, tested, and maintained in accordance with NFPA 25 and NFPA 72.

**11.1.2** The owner shall be responsible for conducting system inspection, testing, and maintenance and maintaining the system in operating condition.

## Chapter 12 Ultra-High-Speed Water Spray Systems

### 12.1\* General.

**12.1.1\*** Ultra-high-speed water spray systems shall be used for the extinguishment or control of deflagrations in open, unconfined areas or within process equipment.

**12.1.2\*** Ultra-high-speed water spray systems shall not be used for the extinguishment or control of detonations, or for the suppression of deflagrations in enclosed or confined vessels for purposes of limiting overpressurization.

**12.1.3** Ultra-high-speed water spray systems shall be permitted to be used to prevent a deflagration from transitioning to a detonation.

**12.1.4** Ultra-high-speed water spray systems shall conform to the applicable requirements of the standards of the National Fire Protection Association listed in Chapter 2.

### 12.2 Response Time.

**12.2.1** Response time shall be the time for system operation from the presentation of an energy source to the detector to flow of water from the water spray nozzle being tested.

**12.2.2** Ultra-high-speed water spray systems shall be designed to have a response time of not more than 100 milliseconds.

**12.2.3** Faster response times than indicated in 12.2.2 shall be provided where required by the properties of the hazard being protected.

**12.2.4** In order to meet the response time criteria, ultra-high-speed water spray systems shall utilize water-filled piping.

### 12.3 Design Considerations.

#### 12.3.1 System Types.

**12.3.1.1\* Ultra-High-Speed Local-Application Water Spray System.** Nozzle(s) shall be placed as close to the point of ignition as possible.

**12.3.1.2\* Ultra-High-Speed Area-Application Water Spray System.** Nozzles shall be spaced such that the minimum density is applied uniformly over the entire hazard area.

**12.3.1.3\* Dual Application System.** A system that uses both the local- and area-application concepts shall be permitted.

**12.3.1.4\* Personnel Protection.** Where protection of personnel is required, coverage by the ultra-high-speed water spray system shall include locations where personnel are expected to be within the hazard area and their immediate means of egress.

#### 12.3.2 Flow and Density.

**12.3.2.1 Local Application.** The design shall produce a flow rate of not less than 25 gpm (95 L/min) per nozzle at the point of water application.

**12.3.2.2** Where higher nozzle flow rates are required for local application based on test data or field information, the higher rates shall be used.

**12.3.2.3\* Area Application.** The minimum design density shall be 0.50 gpm/ft<sup>2</sup> [20.4 (L/min)/m<sup>2</sup>] of area covered by ultra-high-speed water spray.

**12.3.2.4** Where higher nozzle flow rates are required for area applications based on test data or actual field information, the higher rates shall be used.

#### 12.3.3 Design Pressure.

**12.3.3.1** Operating pressure at the hydraulically most remote nozzle shall be not less than 50 psi (3.4 bar).

**12.3.3.2** Static pressure maintained on the system prior to system actuation shall be maintained at a pressure no less than 50 psi (3.4 bar).

**12.3.3.3** For systems utilizing blowoff caps or rupture disks on the nozzles, the system static pressure shall not exceed 75 percent of the rating of the lowest rated blowoff caps or rupture disks.

**12.3.4\* System Volume Limitation.**

**12.3.4.1** No larger than a 500 gal (1893 L) system capacity shall be controlled by one system actuation valve.

**12.3.4.2** System capacity shall be permitted to exceed 500 gal (1893 L) if the system design is such that the system response time required by 12.2.2 is met.

**12.3.5 Duration.**

**12.3.5.1** Systems shall have a duration of not less than 15 minutes.

**12.3.5.2** Where the time for safe evacuation of personnel is longer than 15 minutes, the evacuation time shall be the required minimum system duration.

**12.3.6 Fire Hose Connection.** Hose connections shall not be permitted to be supplied by the ultra-high-speed water spray system.

**12.3.7 System Operation.** Systems shall be designed to operate automatically with supplementary manual actuation means provided.

**12.3.8 Discharge Delays.**

**12.3.8.1 Timers.** Timers or similar devices to delay system activation shall not be permitted.

**12.3.8.2\* Water Supply.** The water supply pressure for a properly functioning ultra-high-speed water spray system shall be maintained such that it is available at the time a system functions.

**12.3.9 Nozzle Placement.**

**12.3.9.1\*** Nozzles shall be located as close as practicable to the protected area or likely point, or points, of ignition.

**12.3.9.2** Nozzles shall be positioned to provide complete water spray impingement for the protected area or likely point, or points, of ignition.

**12.3.9.3** Local application systems requiring two or more nozzles shall have nozzles positioned in a counter-opposed fashion for the most efficient water spray coverage of the hazard and the most efficient distribution of water onto the hazard. (See Figure A.12.3.1.1.)

**12.3.9.3.1** Nozzles shall be positioned in such a way that burning materials are not propelled toward personnel and so that personnel and material-in-process cannot impede or block water flow.

**12.3.9.4** Nozzle locations that are subject to mechanical damage shall be suitably protected.

**12.3.10\* System Actuation Valves and Accessories.**

**12.3.10.1\*** System actuation valves and accessories shall be placed as close as practical to the water spray nozzles.

**12.3.10.2** System actuation valves shall be accessible for maintenance and shall be protected from damage.

**12.3.11 Piping.**

**12.3.11.1** Piping used in ultra-high-speed water spray systems shall comply with the requirements of Chapter 5.

**12.3.11.2** High-pressure flexible hydraulic hose shall be permitted to be used to connect nozzles on local application systems where approved by the authority having jurisdiction.

**12.3.11.3\*** All piping including wet pilot lines shall be sloped at a minimum of 1 in. per 10 ft (25 mm per 3 m) of pipe.

**12.3.11.4** Air bleeder valves shall be placed at all piping high points to bleed air trapped in the system.

**12.3.11.5** Piping shall be routed as directly as practical from the system actuation valve to the protected area or hazard with the fewest number of fittings and changes of direction.

**12.3.12\* Pipe Support.** Piping shall be supported in accordance with the requirements of 6.3.2.

**12.3.13 Strainers.**

**12.3.13.1\*** Systems utilizing pilot-operated nozzles shall be equipped with strainers in the main waterway.

**12.3.13.2** Pilot lines shall be equipped with a separate strainer capable of removing particles that are 75 percent of the flow orifice in the solenoid.

**12.3.14 Detection.**

**12.3.14.1 General.** The detection systems shall be in accordance with *NFPA 72*.

**12.3.14.2** Sensing devices shall be as follows:

- (1) Response characteristics:
  - (a) Radiant energy-sensing devices capable of sensing the expected wavelength emissions of the materials in combustion.
  - (b) Other types of sensing devices having equivalent response characteristics to radiant energy-sensing devices shall be permitted to be used.
- (2) Protected from physical damage
- (3) Suitable for the electrical area classification where they are installed
- (4) Accessible for testing, cleaning, and maintenance
- (5) Aimed and adjusted to minimize false actuation

**12.3.14.3 Detection for Local Application.**

**12.3.14.3.1** One or more detectors shall be placed as close as physically possible to sources of ignition.

**12.3.14.3.2** Detectors shall provide complete detection coverage for the likely point, or points, of ignition and shall not be blocked by shielding, equipment, or personnel.

**12.3.14.4 Detection for Area Application.** One or more detectors shall be located to provide general coverage for the area occupied by operating personnel, including egress routes and other possible sources of ignition within the space.

**12.3.15 Control Panel.**

**12.3.15.1** The control panel shall conform to the requirements of *NFPA 72*.

**12.3.15.2** The control panel shall be located in an area protected from physical injury and from electromagnetic energy emitted from other electrical devices that could induce false actuation.

**12.3.15.3** Control panel enclosures shall be rated for the ambient environment where they are located.



**12.3.16 Wiring.** Wiring shall be in compliance with *NFPA 70* and *NFPA 72* in addition to the following requirements:

- (1) Circuits between initiating or actuating devices and their controllers shall be shielded.
- (2) All wiring between the initiating or actuating devices and the control panel shall be continuous with no splices.

**12.4\* System Acceptance.** The performance of the system shall be tested to verify that the response time criteria in Section 12.2 will be met and that each nozzle provides the correct coverage and flow rate.

**12.5 Testing and Maintenance.** Ultra-high-speed water spray systems shall be maintained in accordance with *NFPA 25* and *NFPA 72*.

**12.5.1\*** A maintenance program in addition to the requirements of *NFPA 25* and *NFPA 72* shall be established.

**12.5.2** Systems not in use shall not be required to be periodically tested.

**12.5.3** Systems not in use shall be tested when put back into service.

**12.5.4** Records of the tests shall be kept on file at the facility.

**12.5.5** The following tests shall be conducted in addition to the requirements of *NFPA 25* and *NFPA 72*.

**12.5.6** The following shall be completed in addition to any of the requirements of Section 12.5:

- (1) A full operational flow test shall be conducted at intervals not to exceed 1 year, including measurement of response time. The results of tests shall be retained on file for the life of the system. (*See A.12.4 for suggested time testing procedures.*)
- (2) Detectors shall be tested and inspected for physical damage and accumulation of deposits on the lenses at least monthly.
- (3) Controllers shall be checked at the start of each shift for any faults.
- (4) Valves on the water supply line shall be checked at the start of each shift to ensure they are open.
- (5) Valves secured in the open position with a locking device or monitored by a signaling device that will sound a trouble signal at the deluge system control panel or other central location shall not be required to be checked.

**12.5.7** Response time testing shall be conducted where required by other sections of this standard.

### Annex A Explanatory Material

*Annex A is not a part of the requirements of this NFPA document but is included for informational purposes only. This annex contains explanatory material, numbered to correspond with the applicable text paragraphs.*

**A.1.1.2** Water spray systems can be independent of, or supplementary to, other forms of protection.

The design of specific systems can vary considerably, depending on the nature of the hazard and the basic purposes of protection. Because of these variations and the wide choice in the characteristics of spray nozzles, these systems should be competently designed, installed, and maintained. It should be essential that their limitations, as well as their capabilities, be

thoroughly understood by the designer. This standard does not provide specific design guidance for dry pipe or double interlock preaction systems.

**A.1.1.3** For information on these applications, refer to the following:

- (1) *NFPA 13*
- (2) *NFPA 14*
- (3) *NFPA 69*
- (4) *NFPA 750*
- (5) *NFPA 1964*

**A.3.2.1 Approved.** The National Fire Protection Association does not approve, inspect, or certify any installations, procedures, equipment, or materials; nor does it approve or evaluate testing laboratories. In determining the acceptability of installations, procedures, equipment, or materials, the authority having jurisdiction may base acceptance on compliance with *NFPA* or other appropriate standards. In the absence of such standards, said authority may require evidence of proper installation, procedure, or use. The authority having jurisdiction may also refer to the listings or labeling practices of an organization that is concerned with product evaluations and is thus in a position to determine compliance with appropriate standards for the current production of listed items.

**A.3.2.2 Authority Having Jurisdiction (AHJ).** The phrase “authority having jurisdiction,” or its acronym AHJ, is used in *NFPA* documents in a broad manner, since jurisdictions and approval agencies vary, as do their responsibilities. Where public safety is primary, the authority having jurisdiction may be a federal, state, local, or other regional department or individual such as a fire chief; fire marshal; chief of a fire prevention bureau, labor department, or health department; building official; electrical inspector; or others having statutory authority. For insurance purposes, an insurance inspection department, rating bureau, or other insurance company representative may be the authority having jurisdiction. In many circumstances, the property owner or his or her designated agent assumes the role of the authority having jurisdiction; at government installations, the commanding officer or departmental official may be the authority having jurisdiction.

**A.3.2.3 Listed.** The means for identifying listed equipment may vary for each organization concerned with product evaluation; some organizations do not recognize equipment as listed unless it is also labeled. The authority having jurisdiction should utilize the system employed by the listing organization to identify a listed product.

**A.3.3.2 Combustible Liquid.** Combustible liquids classifications are as follows:

- (1) Class II Liquid — Any liquid that has a flash point at or above 100°F (37.8°C) and below 140°F (60°C)
- (2) Class III Liquid — Any liquid that has a flash point at or above 140°F (60°C)
  - (a) Class IIIA Liquid — Any liquid that has a flash point at or above 140°F (60°C), but below 200°F (93°C)
  - (b) Class IIIB Liquid — Any liquid that has a flash point at or above 200°F (93°C)

[30:4.3.2]

**A.3.3.10 Fire Area.** The physical separations also include diking and special drainage systems.

**A.3.3.11 Flammable Liquid.** Flammable liquids classifications are as follows:

- (1) Class IA Liquid — Any liquid that has a flash point below 73°F (22.8°C) and a boiling point below 100°F (37.8°C)
- (2) Class IB Liquid — Any liquid that has a flash point below 73°F (22.8°C) and a boiling point at or above 100°F (37.8°C)
- (3) Class IC Liquid — Any liquid that has a flash point at or above 73°F (22.8°C), but below 100°F (37.8°C)

[30:4.3.1]

**A.3.3.14.1 Insulated.** Noncombustible materials affording 2-hour fire ratings will usually satisfy the requirements of Chapter 5 when properly fastened and weather protected. For equipment, structures, and vessels of nonferrous metals, somewhat lower temperature limits than indicated in Chapter 5 might be required, based on reliable metallurgical data.

**A.3.3.16 Nonabsorbing Ground.** Most soils are not considered sufficiently permeable or absorbent to be considered absorbing ground. Paving, such as concrete or asphalt, is considered nonabsorbing.

**A.3.3.23.2 Open Water Spray Nozzle.** A water spray nozzle is usually a discharge device with an open waterway. However, it is possible for nozzles to be equipped with operating elements such as fusible links or glass bulbs for special applications.

**A.3.3.24 Water Spray System.** Automatic systems can be actuated by separate detection equipment installed in the same area as the water spray nozzles or by the water spray nozzles using an operating element. In some cases, the automatic detector can also be located in another area.

**A.3.3.25 Water Wastage.** Some causes of wastage are wind velocity and the overcarry of discharge pattern beyond the targeted surface.

**A.4.1** The design objectives are as follows:

- (1) Extinguishment of fire by water spray is accomplished by cooling, smothering from produced steam, emulsification of some liquids, dilution in some cases, or a combination of these factors.
- (2) Control of fires is accomplished by an application of water spray to the burning materials, producing controlled burning. The principle of control can be applied where combustible materials are not susceptible to complete extinguishment by water spray or where complete extinguishment is not considered desirable.
- (3) Effective exposure protection is accomplished by application of water spray directly to the exposed structures or equipment to remove or reduce the heat transferred to them from the exposing fire. Water spray curtains are less effective than direct application but can, under favorable conditions, provide some protection against fire exposure through subdivision of fire areas. Unfavorable conditions can include such factors as windage, thermal updrafts, and inadequate drainage.
- (4) Start of fire is prevented by the use of water sprays to dissolve, dilute, disperse, or cool flammable materials or to reduce flammable vapor concentrations below the lower flammable limit (LFL).

**A.4.2.3** See NFPA 49 and NFPA 325. (Note: Although NFPA 49 and 325 have been officially withdrawn from the *National Fire*

*Codes*, the information is still available in NFPA's *Fire Protection Guide to Hazardous Materials*.)

**A.4.2.5** In special cases, where adequate safeguards have been provided, water spray systems for the protection of structures, equipment, or personnel in the presence of such materials as described in 4.2.5 might be acceptable.

**A.4.3** Water spray system installation is a specialized field that is a trade in itself.

**A.4.4.1** The rapid removal of spills and fire protection water from the area protected by a water spray system can greatly reduce the amount of fuel involved in a fire. In addition, if water discharge is not controlled, hydrocarbons or other liquid fuels can spread into adjacent areas and increase the size of the fire, exposing additional property and making the fire more difficult to control or extinguish.

An example of a protected hazard that might not require a system for controlling or containing water spray discharge would be a rubber belt conveyor located in an aboveground conveyor housing.

**A.4.4.3** Each of the methods listed has advantages and disadvantages. In most cases, a combination of methods should be used in designing an effective control or containment system.

The characteristics of any hazardous materials in the protected area should be considered in the design of a control or containment system, including volume, solubility in water, flammability, reactivity, environmental concerns (e.g., toxicity), and vapor pressure at ambient and normal processing conditions. For example, particular attention should be given to the removal of burning flammable liquids away from process vessels containing reactive materials sensitive to heat.

Curbing, along with appropriate grading, can be of significant benefit in preventing water or burning liquid from spreading horizontally into adjacent areas. Grading should ideally be sloped at a pitch not less than one percent away from critical equipment and toward drains, trenches, ditches, or other safe areas. Concrete surfacing is most desirable, but other hard surfacing or crushed rock or equivalent is suitable.

Process areas and buildings handling hydrocarbons or hazardous chemicals normally have a closed drain system to capture leaks, spills, normal drainage, wash down, and so forth. In some cases, it might not be practical to design the closed drain system to accommodate the full flow from the fire protection systems. Additionally, even where designed with adequate capacity, floor drains will often become clogged with debris during a fire. The excess that cannot be carried off by the closed drain system will then overflow to the surface drainage systems, which might include storm sewers, open ditches, streets, or similar features. The proper design of area drainage should anticipate where the excess will flow so that it can be safely routed and controlled.

See NFPA 30 for diking requirements for the tank storage of flammable and combustible liquids.

Diking is not a desirable means of containing water spray discharge where buildings, process structures, or important equipment are being protected from exposure to flammable or combustible liquids.

**A.4.4.3(3)** Open trenches and ditches should be routed so as not to expose firefighters, critical equipment and piping, structures, or other property to a potential falling hazard.

**A.4.4.4** Underground or enclosed drains are preferred over open trenches since enclosed drains provide a method of removing spilled liquids from the area without exposing equipment to burning liquids. Further, trenches can act as collection points for heavier-than-air vapors. If used, trenches should be routed in a way that will not carry fire protection water and burning liquids through another fire area. If unavoidable, fire stops (weirs) should be provided in the trench system between the fire areas.

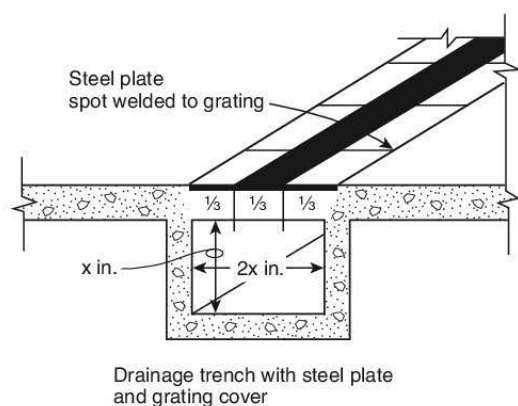
Trenches should be twice as wide as deep, and in no case should the depth exceed the width. Trenches should be provided with covers that are one-third open grating and two-thirds solid plate or concrete. (See Figure A.4.4.4.)

Drains should be in sufficient number that the required runoff is handled without formation of significant pools.

**A.4.4.6(1)** The actual flow rate can be determined by plotting the demand curve (fixed water supply systems) and the water supply curve on semi-exponential ( $N^{1.85}$ ) graph paper. The intersection of the demand curve and the supply curve provides a realistic estimate of the actual flow rate that would be anticipated.

**A.4.4.6(5)** Judgment should be used in determining the chance of having a major fire simultaneous with a heavy rainfall. For areas experiencing little rainfall, drainage calculations can ignore rainfall. For areas experiencing frequent rainfall, a flow rate from rainfall might or might not be warranted, depending on the hazards being protected and other factors. If included, a rainfall rate less than the highest anticipated would ordinarily be used, as it is not likely that the maximum fire and rainfall demands would occur simultaneously. The effect of rainfall on the size of any areas designed to contain runoff should also be considered.

**A.4.4.7** It is desirable to contain runoff for the anticipated duration of any fire. However, in large chemical or petrochemical facilities, a major fire can last for 8 hours or more, resulting in extremely large holding basins or retention ponds. Where the anticipated incident duration results in retention basins that are of impractical size, methods to limit the duration of runoff might be required.



**FIGURE A.4.4.4** Drainage Trench Detail.

When an extended duration is anticipated, a duration of 4 hours is usually considered the practical maximum. During that time, it is often possible to isolate equipment and reduce the flow rate of water and other materials so that the continuous discharge flow rate is less than the initial flow rate. If a significant amount of flammable materials can be removed from the protected area, it could be possible to shut down water spray systems and manually fight the fire, greatly reducing the amount of material that needs to be contained.

Smaller facilities with limited holdups might not require as long a duration. For example, if the exposing fire is caused by a spill of 500 gal (1893 L) or less, with good drainage and containment systems, the anticipated duration could be as little as 30 minutes to 1 hour. In special circumstances (e.g., involving prompt manual response), an anticipated duration of less than 30 minutes would be acceptable.

Finally, other standards and regulations might dictate the amount of containment required. For example, NFPA 30 contains requirements for warehouses and other areas containing flammable liquids. Also, local environmental regulations and building codes might contain criteria for duration and amount of material to be collected.

**A.5.2.3.3** Painting of spray nozzles can retard the thermal response of the heat-responsive element, can interfere with the free movement of parts, and can render the spray nozzle inoperative. Moreover, painting can invite the application of subsequent coatings, thus increasing the possibility of altering the discharge pattern for all types of nozzles.

**A.5.2.5** The stock of spare automatic water spray nozzles and pilot sprinklers should take into consideration the intended system performance, the criticality of the operations, and the down time associated with system impairment after damage or fire. Automatic water spray nozzles could have long lead times, delaying replacement of large numbers of nozzles for several weeks.

**A.5.3.2** See Table A.5.3.2.

**A.5.3.5** Other types of pipe and tube that have been investigated and listed for water spray applications include lightweight steel pipe. While these products can offer advantages, such as ease of handling and installation, cost-effectiveness, and reduction of friction losses, it is important to recognize that they also have limitations that are to be considered by those contemplating their use or acceptance.

Corrosion studies for lightweight steel pipe have shown that, in comparison to Schedule 40 pipe, its effective life might be reduced, with the level of reduction being related to its wall thickness. Further information with respect to corrosion resistance is contained in the individual listings of such products.

The investigation of pipe and tube other than described in Table 5.3.1 should involve consideration of many factors, including the following:

- (1) Pressure rating
- (2) Beam strength (hangers and spacing)
- (3) Unsupported vertical stability
- (4) Movement during system operation (affecting water distribution)
- (5) Corrosion (internal and external), chemical and electrolytic

Table A.5.3.2 Steel Pipe Dimensions

Nominal Pipe Size (in.)	Schedule 10*						Schedule 30				Schedule 40			
	Outside Diameter		Inside Diameter		Wall Thickness		Inside Diameter		Wall Thickness		Inside Diameter		Wall Thickness	
	in.	mm	in.	mm	in.	mm	in.	mm	in.	mm	in.	mm	in.	mm
1	1.315	33.4	1.097	27.9	0.109	2.8	—	—	—	—	1.049	26.6	0.133	3.4
1 ¼	1.660	42.2	1.442	36.6	0.109	2.8	—	—	—	—	1.380	35.1	0.140	3.6
1 ½	1.900	48.3	1.682	42.7	0.109	2.8	—	—	—	—	1.610	40.9	0.145	3.7
2	2.375	60.3	2.157	54.8	0.109	2.8	—	—	—	—	2.067	52.5	0.154	3.9
2 ½	2.875	73.0	2.635	66.9	0.120	3.0	—	—	—	—	2.469	62.7	0.203	5.2
3	3.500	88.9	3.260	82.8	0.120	3.0	—	—	—	—	3.068	77.9	0.216	5.5
3 ½	4.000	101.6	3.760	95.5	0.120	3.0	—	—	—	—	3.548	90.1	0.226	5.7
4	4.500	114.3	4.260	108.2	0.120	3.0	—	—	—	—	4.026	102.3	0.237	6.0
5	5.563	141.3	5.295	134.5	0.134	3.4	—	—	—	—	5.047	128.2	0.258	6.6
6	6.625	168.3	6.357	161.5	0.134 <sup>†</sup>	3.4	—	—	—	—	6.065	154.1	0.280	7.1
8	8.625	219.1	8.249	209.5	0.188 <sup>†</sup>	4.8	8.071	205.0	0.277	7.0	—	—	—	—
10	10.750	273.1	10.370	263.4	0.188 <sup>†</sup>	4.8	10.140	257.6	0.307	7.8	—	—	—	—

\*Schedule 10 defined to 5 in. (125 mm) nominal pipe size by ASTM A135/A135M, *Standard Specification for Electric-Resistance-Welded Steel Pipe*.  
<sup>†</sup>Wall thickness specified in 5.3.2.

- (6) Resistance to failure where exposed to elevated temperatures
- (7) Methods of joining (strength, permanence, fire hazard)
- (8) Physical characteristics related to integrity during earthquakes
- (9) Resistance to mechanical and, where applicable, explosion damage
- (10) Susceptibility to degradation due to environmental exposure (ultraviolet degradation and low temperatures, etc.)

A.5.3.10.1 Where approved, the pipe identification can be covered with paint or other protective coatings before installation.

A.5.4.10 Rubber-gasketed pipe fittings and couplings should not be installed where ambient temperatures can be expected to exceed 150°F (66°C) unless listed for this service. If the manufacturer further limits a given gasket compound, those recommendations should be followed.

A.5.5.1.2 Some steel piping material having lesser wall thickness than specified in 5.5.1.2 has been listed for use in water spray systems when joined with threaded connections. The service life of such products can be significantly less than that of Schedule 40 steel pipe, and it should be determined if this service life will be sufficient for the application intended.

All such threads should be checked by the installer, using working ring gauges conforming to the Table 8, Basic Dimensions of Ring Gauges for USA (American) Standard Taper Pipe Threads, NPT, in accordance with ANSI/ASME B1.20.1, *Pipe Threads, General Purpose*, 1983.

A.5.5.2 See Figure A.5.5.2(a) and Figure A.5.5.2(b).

A.5.5.2.4.1 Partial penetration welds on outlet fitting connections are considered adequate since there is no significant load on the joint other than that caused by pressure internal to the pipe. The load due to the internal pressure can be accommodated with a weld that has a conservative weld throat thickness, which can be calculated as follows:

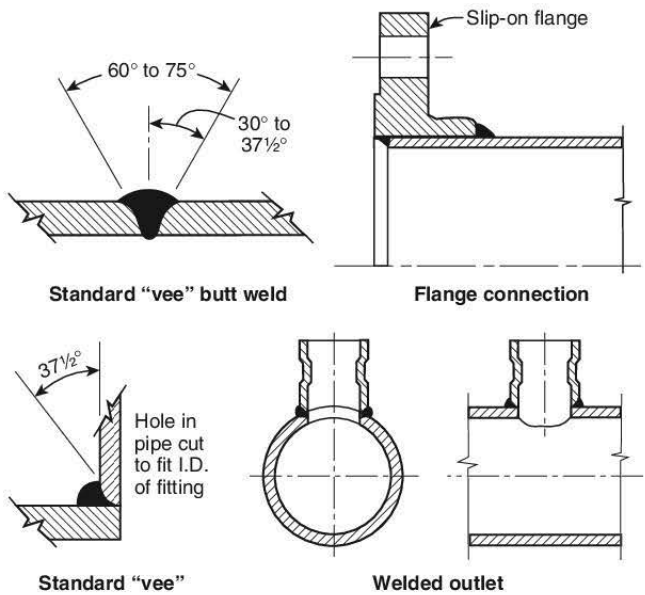


FIGURE A.5.5.2(a) Acceptable Weld Joints.

[A.5.5.2.4.1]

$$\text{Weld throat thickness (in.)} = PD \times 0.000035$$

where:

$P$  = rated system pressure (psig)

$D$  = outside diameter of the fitting (in.)

For example, if you assume a pressure of 300 psi and an O.D. of the outlet fitting of 3 in., the result of the thickness calculation is 0.0315 in. When compared to the minimum throat thickness of 3/16 in. (0.18 in.), there is a factor of more than 5 times the calculated thickness value.

See Figure A.5.5.2.4.1.

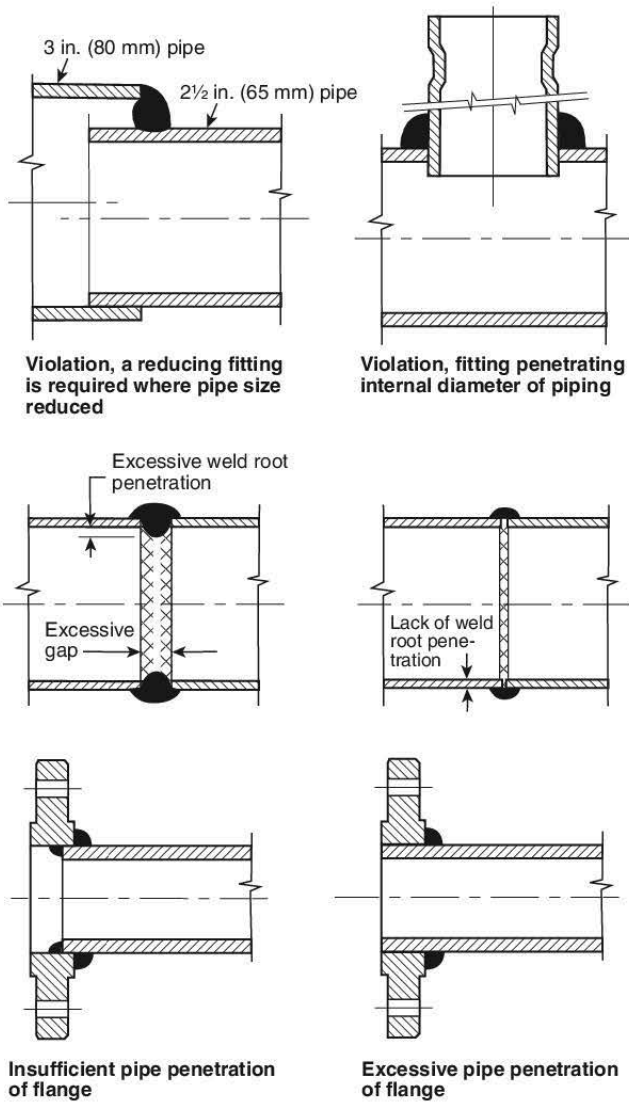


FIGURE A.5.5.2(b) Unacceptable Weld Joints. [For correct pipe penetration of flange, see Figure A.5.5.2(a).]

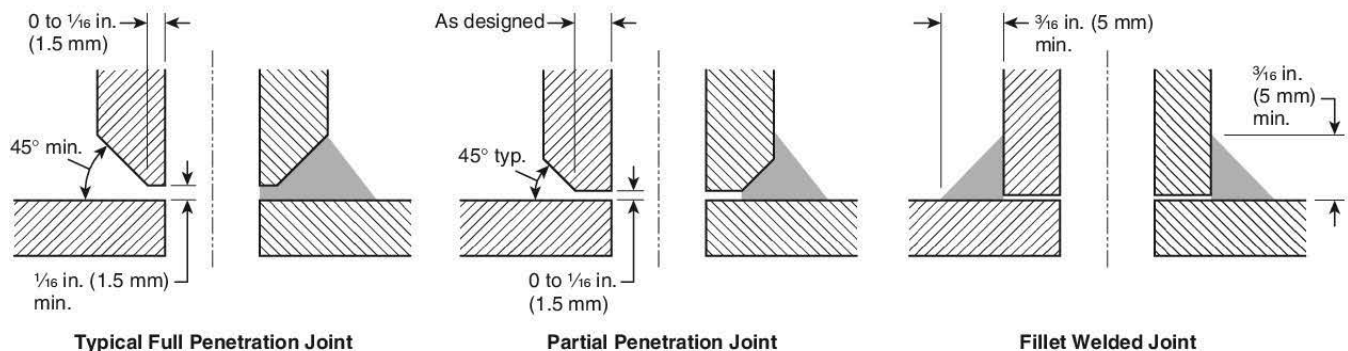


FIGURE A.5.5.2.4.1 Acceptable Joint Configurations for Welding Outlets.

**A.5.5.2.4.2** The preparation of mating surfaces is important to the proper fabrication of a weld joint. To accomplish this, the mating surfaces should be prepared and configured to be able to make a full penetration weld achievable, but a partial penetration weld is acceptable.

**A.5.5.2.4.3** See Figure A.5.5.2.4.3.

**A.5.5.3.1** It is not the intent to require a listed combination of couplings, fittings, or valves.

**A.5.5.3.2** Material strength and pressure rating should be considered when determining compatibility.

**A.5.5.4** The fire hazard of the brazing process should be suitably safeguarded.

**A.5.5.4.1** Brazing fluxes, if used, should not be of a highly corrosive type.

**A.5.7.2.1** These valves include, but are not limited to, deluge valves, alarm check valves, preaction valves, and high-speed valves.

**A.5.7.2.2** Accessories can include any one of or a combination of the following:

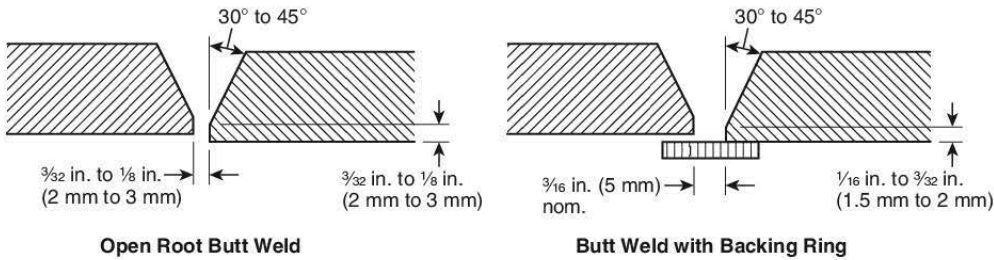
- (1) Manual emergency stations
- (2) Flammable gas detectors
- (3) Smoke detectors
- (4) Heat detectors
- (5) Fire detectors
- (6) Control panels

Where installing wet pilot systems, special attention should be given to height limitations above the system actuation valve due to concern of water column. Refer to manufacturer's information and listing.

**A.5.7.2.3** Manual means of actuation can include pneumatic, hydraulic, electrical, mechanical, or any combination thereof.

**A.5.9.1** The strainer should be capable of continued operation without serious increase in head loss for a period estimated to be ample for the type of protection provided, the condition of the water, and similar local circumstances.

**A.5.10.1.1** The purpose of the fire department connection is to augment the water supply, but not necessarily provide the entire sprinkler system demand. Fire department connections are not intended to deliver a specific amount of water.



**FIGURE A.5.5.2.4.3** Acceptable Joint Configuration for Butt Welds.

**A.5.11.3** All alarm apparatus should be located and installed such that all parts are accessible for inspection, removal, and repair and should be adequately supported.

**A.6.1.2** The minimum clearances listed in Table 6.1.2.2 are for the purpose of electrical clearance under normal conditions; they are not intended for use as “safe” distances during fixed water spray system operation.

The clearances are based upon minimum general practices related to design basic insulation level (BIL) values. To coordinate the required clearance with the electrical design, the design BIL of the equipment being protected should be used as a basis, although this is not material at nominal line voltages of 161 kV or less.

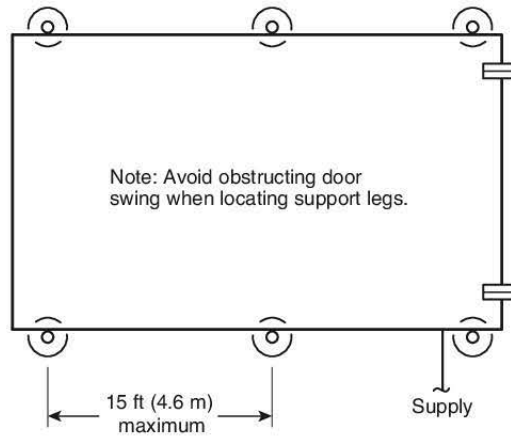
Up to electrical system voltages of 161 kV, the design BIL kV and corresponding minimum clearances, phase to ground, have been established through long usage.

At voltages higher than 161 kV, uniformity in the relationship between design BIL kV and the various electrical system voltages has not been established in practice. For these higher system voltages, it has become common practice to use BIL levels dependent on the degree of protection that is to be obtained. For example, in 230 kV systems, BILs of 1050, 900, 825, 750, and 650 kV have been utilized.

Required clearance to ground can also be affected by switching surge duty, a power system design factor that along with BIL should correlate with selected minimum clearances. Electrical design engineers might be able to furnish clearances dictated by switching surge duty. Table 6.1.2.2 deals only with clearances required by design BIL. The selected clearance to ground should satisfy the greater of switching surge or BIL duty, rather than being based on nominal voltage.

Possible design variations in the clearance required at higher voltages are evident in the table, where a range of BIL values is indicated opposite the various voltages in the high voltage portion of the table. However, the clearance between uninsulated energized parts of the electrical system equipment and any portion of the water spray system should not be less than the minimum clearance provided elsewhere for electrical system insulation on any individual component.

**A.6.2.1** Water spray systems are usually applied to special fire protection problems beyond the capability of a standard sprinkler system. They are specifically designed for fire control, extinguishment, prevention, or exposure protection. These systems typically require that the water be applied rapidly to all protected surfaces at the same time, an objective that might not be possible with closed nozzles. In addition, to protect



**FIGURE A.6.3.2.2.2** Typical Arrangement of Support Legs for Pipe Stands.

specific surfaces, the use of special nozzles with directional discharge is employed. The placement of these nozzles to provide proper coverage is often in conflict with the required placement to ensure prompt operation where automatic nozzles are used. Thus, the standard contemplates that open nozzles will normally be employed and that a separate detection system will be used to actuate the system.

There are cases, however, where it is desirable to use closed nozzles to limit the discharge of water to prevent equipment damage (such as when water spray is used to protect turbine bearings), or there are environmental concerns. Automatic nozzles should only be used where open nozzles present such problems and the position of the nozzles can meet both the coverage and response time design objectives.

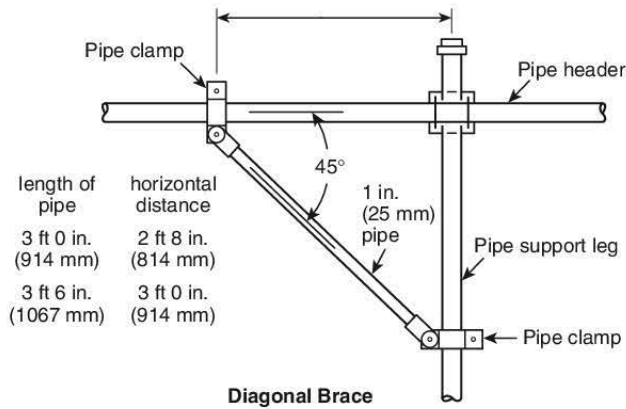
**A.6.3.2.2.2** See Figure A.6.3.2.2.2.

**A.6.3.2.2.5** See Figure A.6.3.2.2.5.

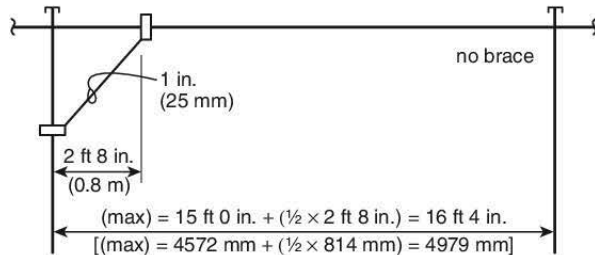
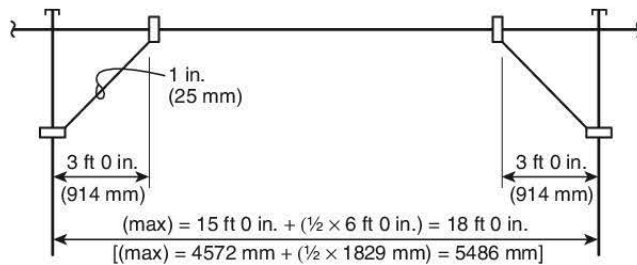
**A.6.3.2.2.7** See Figure A.6.3.2.2.7.

**A.6.3.2.2.8** See Figure A.6.3.2.2.8(a) through Figure A.6.3.2.2.8(d).

**A.6.3.2.6** In cases where the piping cannot be supported by structural members, piping arrangements that are essentially self-supporting are often employed together with such hangers as are necessary.



Note: Where diagonal braces are used as supports, the maximum dimension between support legs can be exceeded by one-half the total horizontal distance of the diagonal braces.



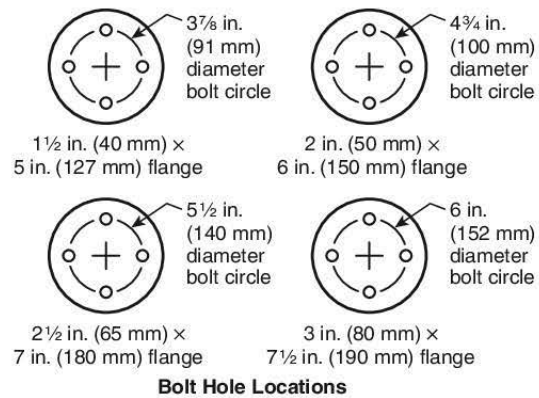
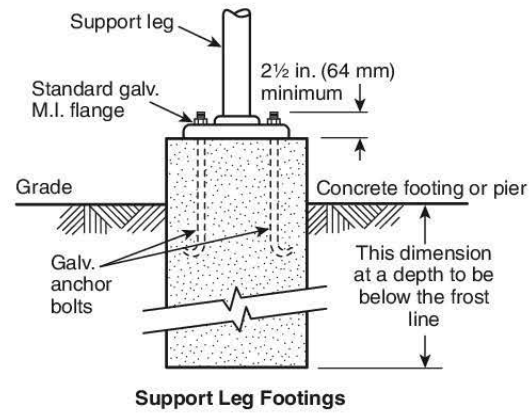
**FIGURE A.6.3.2.2.5 Sway/Support Brace.**

**A.6.3.2.7** The performance of piping support systems should allow for expansion and contraction due to temperature change, expansion due to internal water pressure (thrust), restrained and/or unrestrained joints or pipe runs, heavy point loads (e.g., valves), and pipe deflection (span/support spacing). Manufacturer's installation instructions and engineering design guides should be consulted.

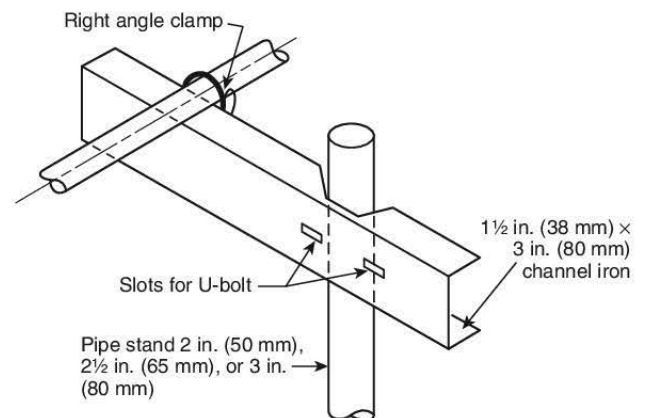
**A.6.3.3.6** See Figure A.6.3.3.6.

**A.6.3.6** Areas considered to have an explosion potential can include those having the following characteristics:

- (1) Highly exothermic reactions that are relatively difficult to control, such as nitration, oxidation, halogenation, hydrogenation, alkylation, or polymerization
- (2) Flammable liquids or gases where a flammable vapor or release of more than 10 tons in a 5-minute time period is possible
- (3) Other particularly hazardous operations where an explosion hazard might exist

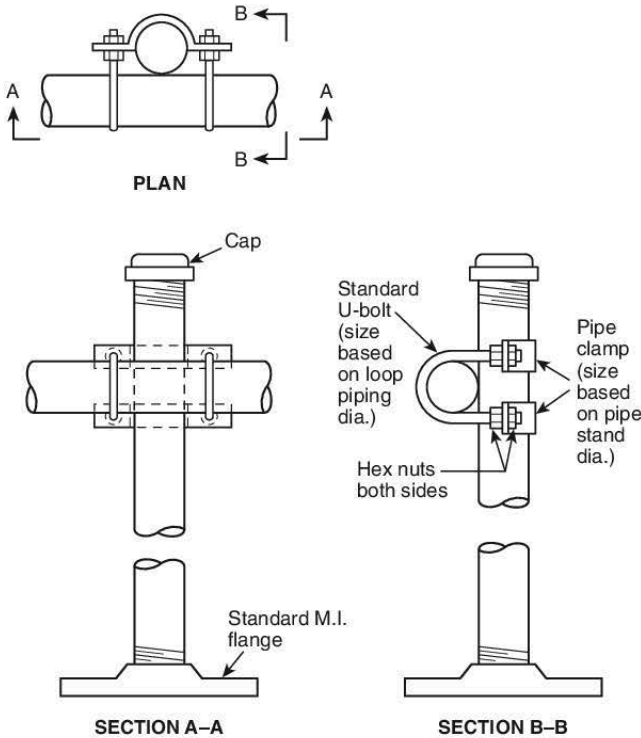


**FIGURE A.6.3.2.2.7 Support Leg Footings.**



Note: Pipe stand brackets are now replacing the old style pipe stand without the bracket. The bracket makes installation easier and allows for adjustment horizontally and vertically. The standard bracket is made to fit 2 in. (50 mm), 2 1/2 in. (65 mm), or 3 in. (80 mm) pipe stands.

**FIGURE A.6.3.2.2.8(a) Typical Pipe Stand Bracket.**



- 1 Ring — support leg — 1 size smaller than ring size but not less than 2 in. (50 mm)
- 2 Ring — support leg — Same size as top ring but not more than 3 in. (80 mm) or less than 2½ in. (65 mm)

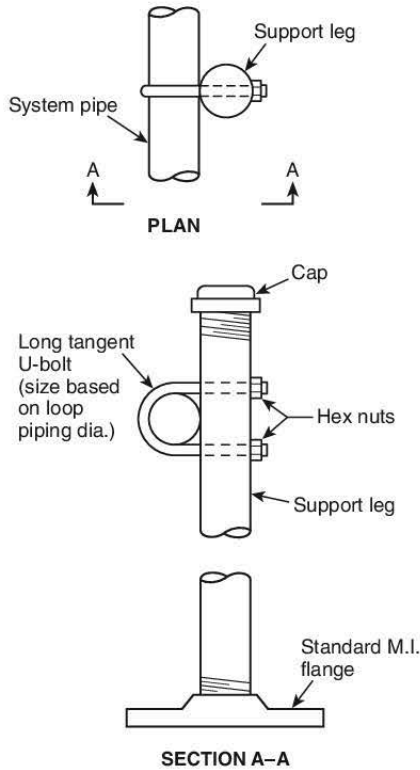
**FIGURE A.6.3.2.8(b) Acceptable Attachment for Pipe to Support Legs — Example 1.**

To limit the potential for explosion damage, the following guidelines should be used:

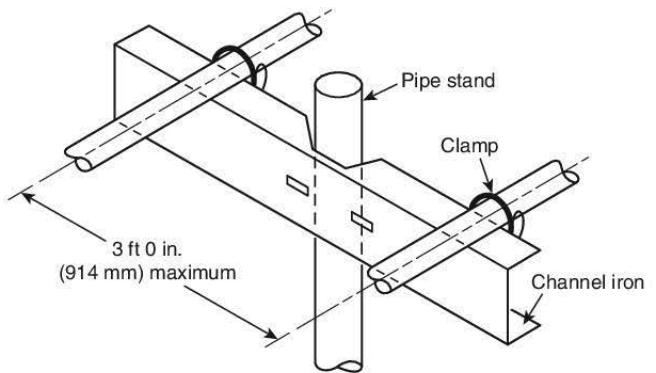
- (1) System actuation valves should be remotely located [at least 50 ft (15.2 m)] from the area to be protected, housed within a blast-resistant valve house or behind a blast wall designed for at least a gauge pressure of 3 psi (20.7 kPa) static overpressure.
- (2) Piping should be located underground wherever possible. Risers should rise aboveground behind a protecting steel column or other structural element. Other piping should be located behind structural elements providing shielding from explosion overpressures and flying debris.
- (3) The number of system actuation valves manifolded together should be limited to no more than three.
- (4) Fire water mains should be buried, and accessible post indicator isolation valves should be provided.
- (5) All water spray piping 2½ in. (65 mm) or larger should be of the welded-flanged type and as shown in Figure A.6.3.6.

**A.6.4.3** Suitable suction provisions can entail the following:

- (1) Suitable suction hydrants accessible to apparatus on primary or auxiliary supplies, or both
- (2) Suitable all-weather landings or locations where pumper apparatus can take suction at surface water supplies



**FIGURE A.6.3.2.8(c) Acceptable Attachment for Pipe to Support Legs — Example 2.**

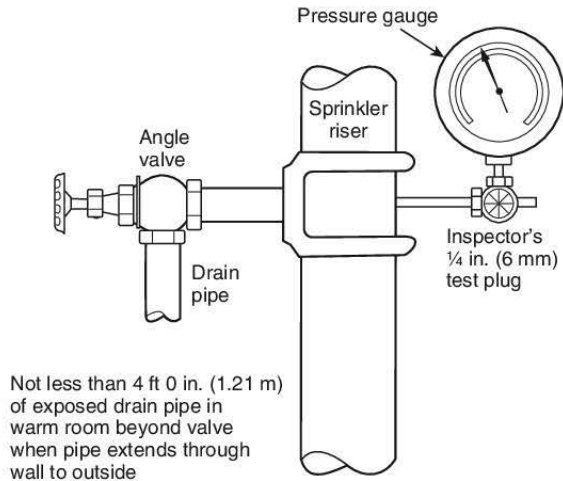


**FIGURE A.6.3.2.8(d) Multiple Pipes Supported by One Pipe Stand.**

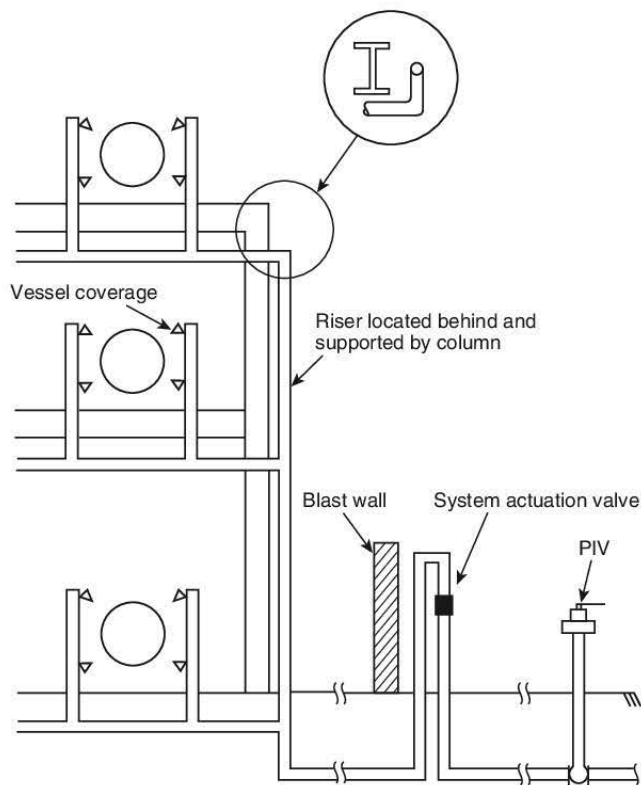
**A.6.4.3.1** Fire department connections should be located and arranged so that hose lines can be readily and conveniently attached without interference from nearby objects including buildings, fences, posts, or other fire department connections. Where a hydrant is not available, other water supply sources such as a natural body of water, a tank, or a reservoir should be utilized. The water authority should be consulted when a nonpotable water supply is proposed as a suction source for the fire department.

See Figure A.6.4.3.1.





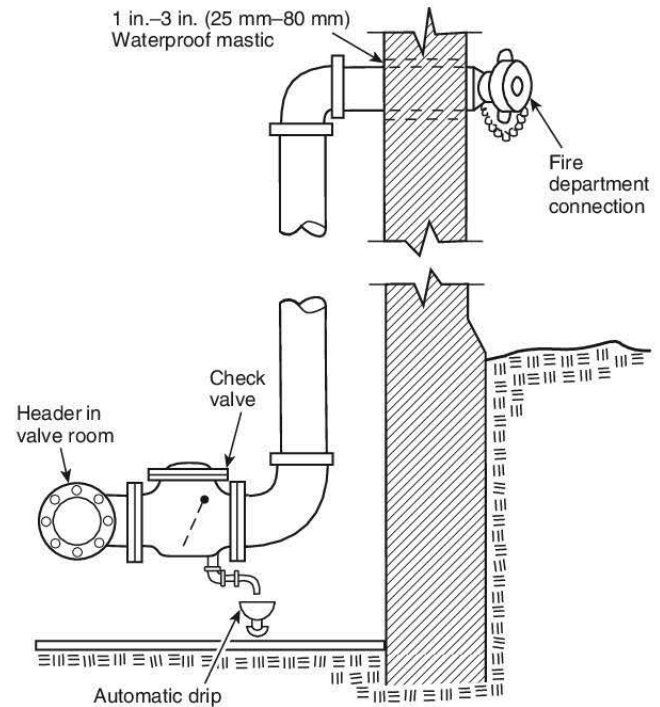
**FIGURE A.6.3.3.6** Drain Connection for System Riser.



**FIGURE A.6.3.6** Explosion Protection of Water Spray or Piping (Elevation).

**A.6.4.4.5** A temporary or permanent line is permitted to be piped to an accessible location to facilitate the remote nozzle reading.

**A.6.4.6.1** Care should be taken in the selection of strainers, particularly where nozzle waterways are less than  $\frac{1}{4}$  in. (6.5 mm) in dimension. Consideration should be given to the size of screen perforation, the volume available for accumulation without excessive friction loss, and the facility for inspection and cleaning.



**FIGURE A.6.4.3.1** Fire Department Connection.

**A.6.5.1.3** Consideration should be given to the protection of the detection system in areas subject to earthquake damage.

**A.6.5.2.3** Where detectors are located outdoors or without a ceiling over them to trap the heat, their spacing should be reduced if prompt detection is to be achieved. In general, thermal detectors are to be located within the hot air currents created by the fire if they are to operate. A 50 percent reduction in the spacing between detectors is required in the absence of test data on a particular detector and fire size. Some guidance might be available from the manufacturer. The sensitivity of other detectors (e.g., flammable gas detectors) can also be adversely affected by wind or the lack of walls or ceilings surrounding the hazard.

Heat collectors located above the pilot sprinklers or other thermal detectors for the sole purpose of trapping heat are not recommended. They are considered protected canopies (*see 6.5.1.2*). They can provide some benefit if they are of sufficient size [18 in.  $\times$  18 in. (457 mm  $\times$  457 mm), or larger] to trap heat. Smaller collectors can reduce sensitivity by causing a “dead” air space. However, shields or canopies needed to protect the detector from the weather should not be eliminated because of concerns they might reduce detector sensitivity.

Other types of detectors, such as UV detectors that do not rely on air currents to detect a fire or hazardous condition might not require a reduced spacing when they are used outdoors.

**A.6.5.2.7** Use of flammable gas detectors should consider the following:

- (1) *Calibration.* Automatic flammable gas detection equipment should be calibrated for the specific flammable gas to be detected.

- (2) *Operation — Alarms.* Flammable gas detectors typically are equipped with two independently adjustable alarms for detection of flammable gas. Each unit should be equipped with a visual indication of alarm points, unit malfunction, and normal operation. Typically, the first alarm point is set between 10 percent and 25 percent of the LFL, and the second alarm point trips the water spray system between 25 percent and 65 percent of the LFL. Where the analyzers alarm in a continuously manned location, remote manual operation of the water spray system from a continuously manned location is sometimes utilized with the flammable gas analyzers alarming only in lieu of the automatic trip arrangement.
- (3) *Inadvertent Activation.* A reduction in the potential to inadvertently activate a system can be attained by designing cross-zone activation into the system. With a cross-zone activation scheme, the activation of a water spray system is triggered by the “high” alarm condition of any two or more detectors comprising the system.
- (4) *Wiring.* Flammable gas detectors should not be wired in series.
- (5) *Multiple-Channel Systems.* Where a multiple-channel flammable gas detector system is utilized, continuous, instantaneous analysis should be provided on all channels and an alarm or trip should be indicated immediately at the analyzer. No more than one water spray system should be actuated by a single multiple-channel analyzer.

**A.7.1.6** Prompt operation of the water spray system is needed to meet the design objectives. In most installations, the delivery of effective water spray from all open nozzles should take place within 30 seconds after detection. This can be accomplished by the remote starting of fire pumps. The use of devices such as timers would delay system actuation and negatively affect the system’s intended performance.

**A.7.1.10.1** Single systems should be designed to limit flow rates to as small as practicable, with consideration given to the water supplies and other factors affecting reliability of the protection. Large system size could decrease system reliability

and increase transfer time, water wastage, and environmental impact. Large systems should generally be limited to a discharge rate of 2500 gpm to 3000 gpm (9463 L/min to 11,355 L/min).

**A.7.1.10.2** For large areas protected by many adjacent systems, it might not be necessary to base the design flow rate on all systems operating simultaneously. Provided that floor drainage is sloped and sectionalized to reduce the flow of flammables to adjacent areas and assuming that detection systems are carefully designed, the maximum design flow rate could be determined by adding the flow rate for any system to the flow rates for all immediately adjacent systems. [See example in Table A.7.1.10.2(a) and Table A.7.1.10.2(b).] The largest sum determined from considering all logical combinations should be used. This maximum anticipated flow rate basis is valid when the systems selected are judged to represent the worst-case situation. Assuming that the above conditions are met, some fires involving several adjacent water spray systems could be adequately controlled with fewer systems operating. Careful engineering judgment should be used in the determination and calculation of the actuation, capacity, and duration of adjacent water spray systems.

**A.7.2.1.2** The following are extinguishment methods:

- (1) *Surface Cooling.* Where extinguishment by surface cooling is contemplated, the design provides for complete water spray coverage over the entire surface. Surface cooling is not effective on gaseous products or flammable liquids and is not generally satisfactory for combustible liquids having flash points below 140°F (60°C).
- (2) *Smothering by Steam Produced.* Where this effect is contemplated, the intensity of the expected fire should be sufficient to generate adequate steam from the applied water spray, and conditions should be otherwise favorable for the smothering effect. The water spray is to be applied to essentially all the areas of expected fire. This effect should not be contemplated where the material protected could generate oxygen when it is heated.

**Table A.7.1.10.2(a) Determining Design Flow Rate for Multiple Water Spray Fixed Systems**

	System 1		System 2		System 3		System 4		System 5		System 6	
Flow	1800 gpm	6813 L/min	2100 gpm	7949 L/min	1950 gpm	7381 L/min	2300 gpm	8706 L/min	2400 gpm	9084 L/min	1700 gpm	6435 L/min
Pressure	80 psi	3.8 kPa	95 psi	4.6 kPa	105 psi	5.0 kPa	100 psi	4.8 kPa	90 psi	4.3 kPa	85 psi	4.1 kPa

Note: Flow and pressure are required at the point of supply (other common hydraulic point).

**Table A.7.1.10.2(b) Determining Design Flow Rate for Combined System, Flow Balanced to Highest Pressure**

System	Flow		System	Flow		System	Flow		System	Flow	
	gpm	L/min		gpm	L/min		gpm	L/min		gpm	L/min
1	2062	7805	2	2208	8357	3	1950	7381	4	2300	8706
2	2208	8357	3	1950	7381	4	2357	8921	5	2530	9576
3	1950	7381	4	2357	8921	5	2592	9811	6	1844	6979
Total	6220	23,542	Total	6515	24,659	Total	6899	26,113	Total	6674	25,261

- Notes:
- (1) The combination of Systems 3, 4, and 5 creates the largest flow at the highest pressure at the point of supply (or other common hydraulic point). Therefore, the design flow rate for this installation is selected as 6899 gpm at 105 psi (26,113 L/min at 5.0 kPa). Total water demand would be 6899 gpm (26,113 L/min), plus an allowance for hose stream application.
  - (2) Systems can be combined in a logical manner such that systems that can be expected to be involved in the same incident and are expected to operate simultaneously are combined to determine the design flow rate.

- (3) *Emulsification.* This effect should be contemplated only for liquids not miscible with water. The water spray should be applied over the entire area of flammable liquids. For those liquids having low viscosities, the coverage should be uniform, and the minimum rate required should be applied with the nozzle pressure not less than the minimum on which approval is based. For more viscous materials, the coverage should be complete but need not be so uniform, and the unit rate of application can be lower. A water additive that reduces the surface tension of water can be considered where the effect of emulsification is contemplated.
- (4) *Dilution.* Where extinguishment by dilution is contemplated, the material should be miscible with water. The application rate should be adequate to effect extinguishment within the required period of time based on the expected volume of material and the percentage of dilution necessary to render the liquid nonflammable, but not less than that required for control and cooling purposes.
- (5) *Other Factors.* The system design can contemplate other extinguishing factors, such as a continuous film of water over the surface where the material is not miscible with water and has a density much greater than 1.0 (such as asphalt, tar, carbon disulfide, and some nitrocellulose solutions). Water spray can also be used on some materials to produce extinguishment as a result of rapid cooling below the temperature at which the material will decompose chemically at a self-sustaining rate.

For further information on the effect of droplet size, refer to the NIST publication “Engineering Criteria for Water Mist Fire Suppression Systems.”

**A.7.2.1.3** Limited test data exist that document the minimum water application rates needed for extinguishment of certain combustibles or flammables. Much additional test work is needed before minimum rates can be established for all materials.

**A.7.2.2.1** For this example, it is intended that the insulation or tubing is subject to ignition and propagation of fire.

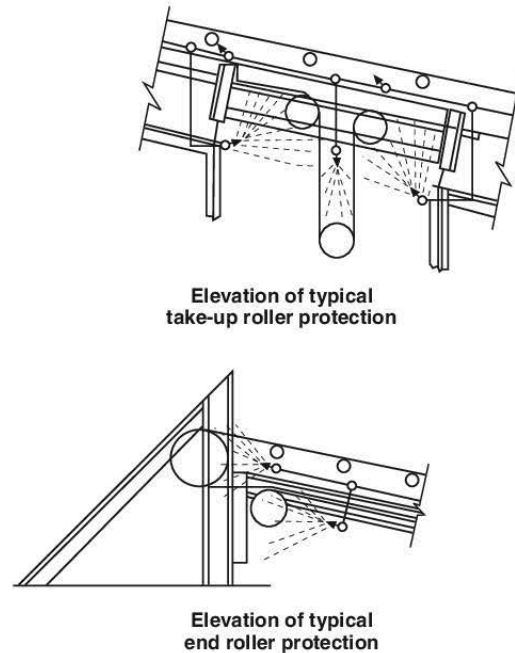
**A.7.2.2.3** Interlocks should be provided between the fire detection system and the electrical systems to de-energize all power circuits that are not connected to critical processes.

**A.7.2.3.2** For further information on conveyor belt roller protection, see Figure A.7.2.3.2.

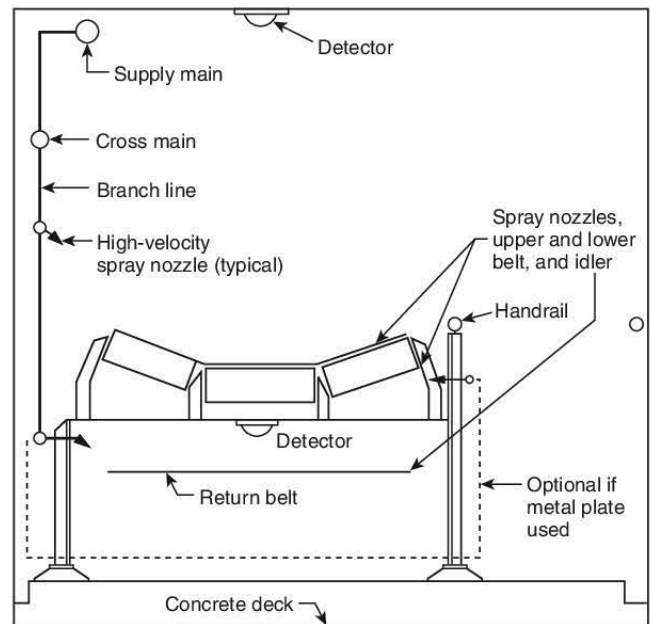
**A.7.2.3.3.1** For further information on typical conveyor belt protection, including return belt, see Figure A.7.2.3.3.1(a) and Figure A.7.2.3.3.1(b).

**A.7.3.1.1** System operation for a duration of several hours might be necessary before the required activities are completed.

**A.7.3.2** Control of burning by directional water spray is not intended to preclude the installation of exposure protection for pump and compressor connections, exposed piping, compressor casings, drivers, lubrication systems, and related equipment.



**FIGURE A.7.2.3.2** Typical Roller Protection.



**FIGURE A.7.2.3.3.1(a)** Typical Conveyor Belt Protection.

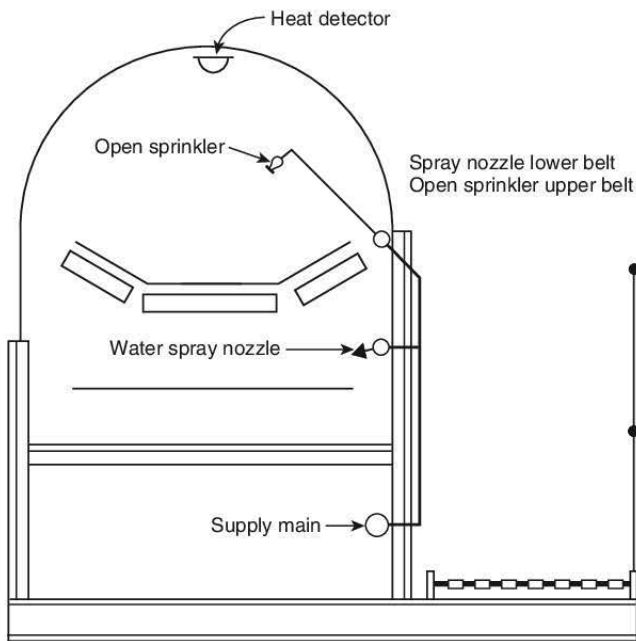


FIGURE A.7.2.3.3.1(b) Typical Hooded Conveyor.

**A.7.4.1** Generally, the upper portions of equipment and the upper levels of supporting structures are less severely exposed by fire than are the lower portions or levels, due to the accumulation at grade level of fuel from spillage or equipment rupture. Consideration can thus be given to reducing the degree of (or eliminating) water spray protection for the upper portions of high equipment or levels of structures, provided a serious accumulation of fuel or torch action from broken process piping or equipment cannot occur at these elevations and serious fire exposure does not exist. Examples are certain types of distillation columns [above the 30 ft or 40 ft (9.2 m or 12.2 m)] level and above the third or fourth level of multilevel open structures.

The densities specified for exposure protection include a safety factor of 0.05 gpm/ft<sup>2</sup> [2.0 (L/min)/m<sup>2</sup>] to compensate for unanticipated wastage.

To determine the duration of the exposing fire, consideration should be given to the properties and quantities of the exposing combustibles and the anticipated effect of available manual firefighting. System operation for several hours might be required.

**A.7.4.2** It has been established that uninsulated vessels, under average plant conditions, enveloped with flame can be expected to absorb heat at a rate of at least 20,000 Btu/hr/ft<sup>2</sup> (63,100 W/m<sup>2</sup>) of exposed surface wetted by the contents. Unwetted, uninsulated steel equipment absorbs heat rapidly, and failure occurs from overpressure or overheating, or both, when such equipment is exposed to fire. Figure A.7.4.2(a) is a time-temperature curve showing the lengths of time required for vessels of different sizes containing volatile materials to have their contents heated to 100°F (38°C) from a starting temperature of 70°F (21°C) for tank contents and 60°F (16°C) for the tank steel. (See *Transactions of the ASME*, January, 1944.)

The application of water spray to a vessel enveloped by fire will reduce the heat input rate to a value on the order of 6000 Btu/hr/ft<sup>2</sup> (18,930 W/m<sup>2</sup>) of exposed surface wetted by the contents where the unit rate of water application is 0.20 gpm/ft<sup>2</sup> [8.2 (L/min)/m<sup>2</sup>] of exposed surface. The 6000 Btu/hr/ft<sup>2</sup> (18,930 W/m<sup>2</sup>) rate was also established in Rubber Reserve Company Memorandum 123. Figure A.7.4.2(b) shows the estimated time for volatile liquid contents of atmospheric storage tanks to reach the boiling point where absorbing heat at 6000 Btu/hr/ft<sup>2</sup> (18,930 W/m<sup>2</sup>). This value can be compared with Figure A.7.4.2(a) to show the benefits derived from water spray systems.

Where the temperature of a vessel or its contents should be limited, higher densities than specified in 7.4.2.1 might be required.

Internally insulated or lined vessels require special consideration to determine water spray requirements.

**A.7.4.2.2** See Figure A.7.4.2.2.

**A.7.4.2.3** See Figure A.7.4.2.3.

**A.7.4.3.1** The locations of nozzles should preferably be on alternate sides of the horizontal structural steel.

The wetted surface of a structural member (a beam or column) is defined as one side of the web and the inside surface of one side of the flanges.

**A.7.4.3.4** The locations of nozzles should preferably be on alternate sides of the vertical structural steel.

**A.7.4.4.1** See Figure A.7.4.4.1.

**A.7.5** Water spray systems can sometimes be effective at preventing or reducing the magnitude of a fire or explosion by what is referred to as vapor mitigation. This is the process of using a water spray system to dilute or disperse a vapor cloud to such a degree that it is no longer flammable or at least less flammable.

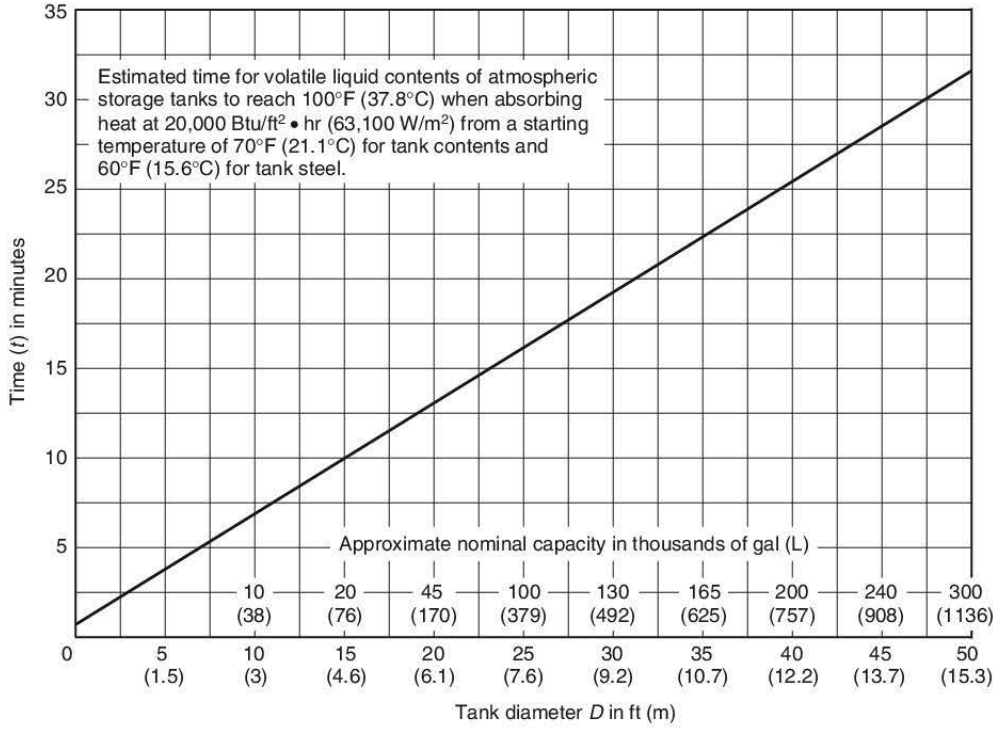
In the case of water-soluble materials, this is done by spraying water into the vapor cloud so that the water dilutes or absorbs the material to a point where it is no longer flammable. The water spray system must deliver water at sufficient velocity and quantity to absorb the expected quantity of vapor released. The amount of water needed will vary with the material in question.

Water-soluble materials include materials such as ammonia, alcohols, and acetone.

In the case of non-water soluble materials, this is done by using the water spray system to deliver water at sufficient flow and pressure to force air movement to such an extent that the air movement disperses the vapor cloud to below the material's lower explosion limit (LEL). If adequate air movement is not achieved, the vapor cloud will still be flammable, presenting a hazard.

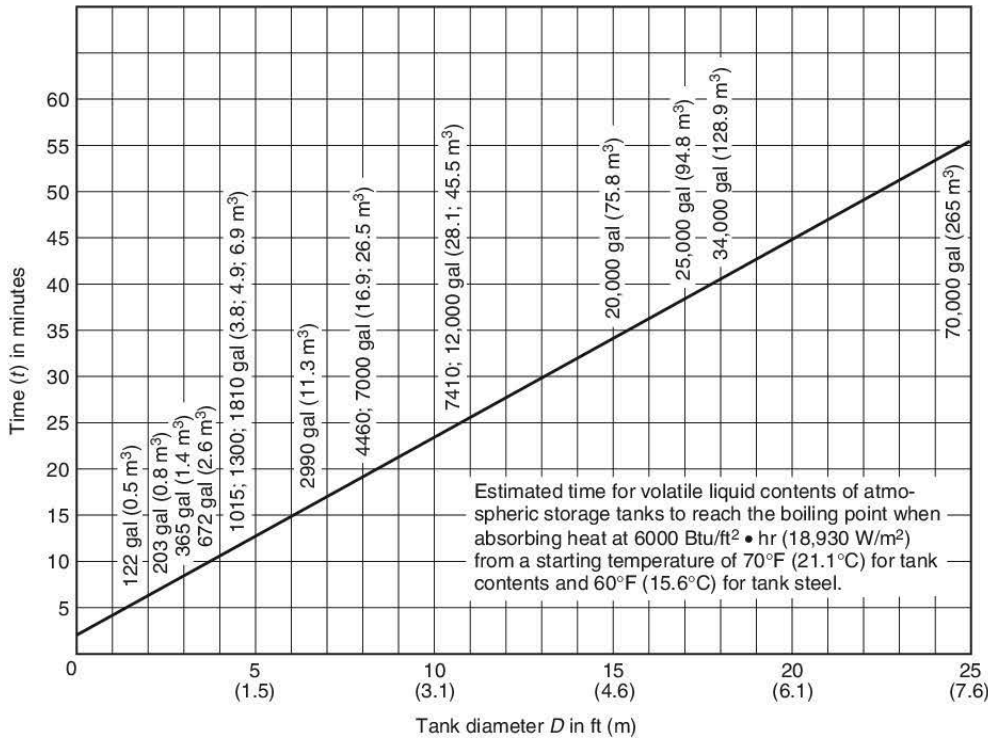
If the hazard is located inside a building or in a confined area, it might not be possible to force enough air movement to dilute the vapor cloud below the LEL due to the limited volume of air compared to the volume of flammable vapor.

Non-water soluble materials include materials such as fuel oil, gasoline, and propane.



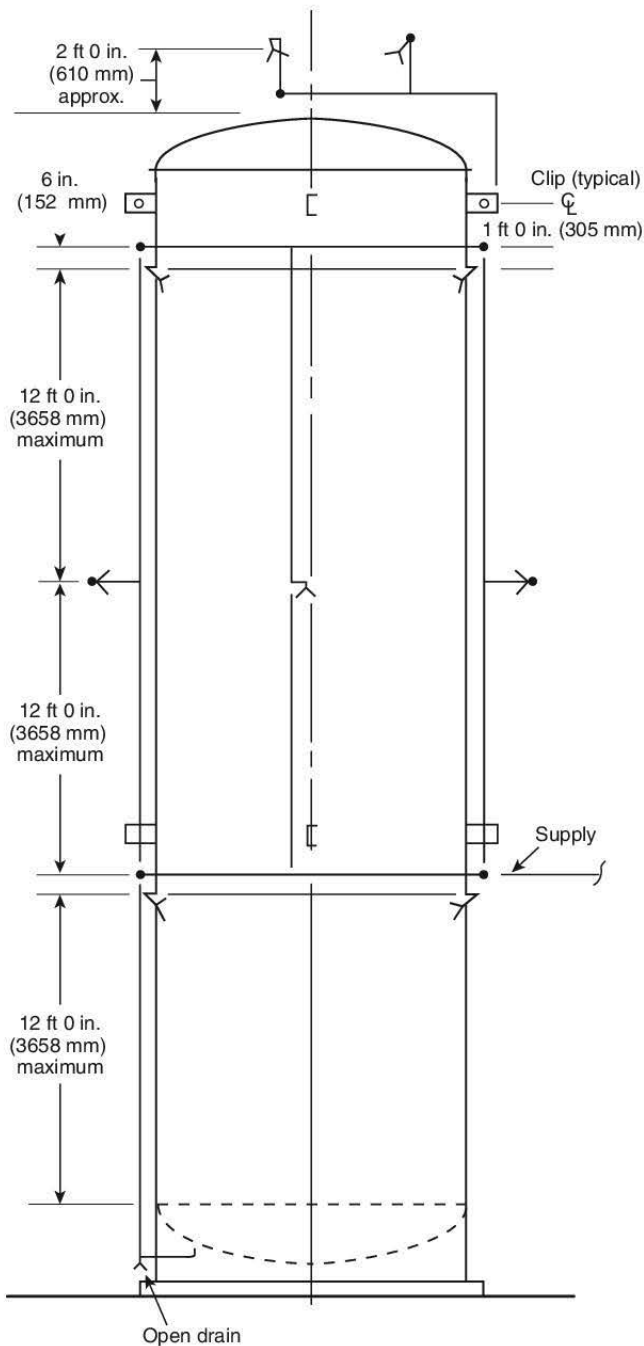
Note: For SI units, 1 Btu/ft<sup>2</sup> • hr = 3.155 W/m<sup>2</sup>;  $\frac{5}{9} (^{\circ}\text{F} - 32) = ^{\circ}\text{C}$ ;  
 1 gal = 0.00379 m<sup>3</sup> = 3.785 L; 1 ft = 0.305 m.

FIGURE A.7.4.2(a) Time-Temperature Curve for Vessels Containing Volatile Materials Heated to 100°F (37.8°C).



Note: For SI units, 1 Btu/ft<sup>2</sup> • hr = 3.155 W/m<sup>2</sup>; 1 gal = 0.00379 m<sup>3</sup> = 3.785 L;  $\frac{5}{9} (^{\circ}\text{F} - 32) = ^{\circ}\text{C}$ .

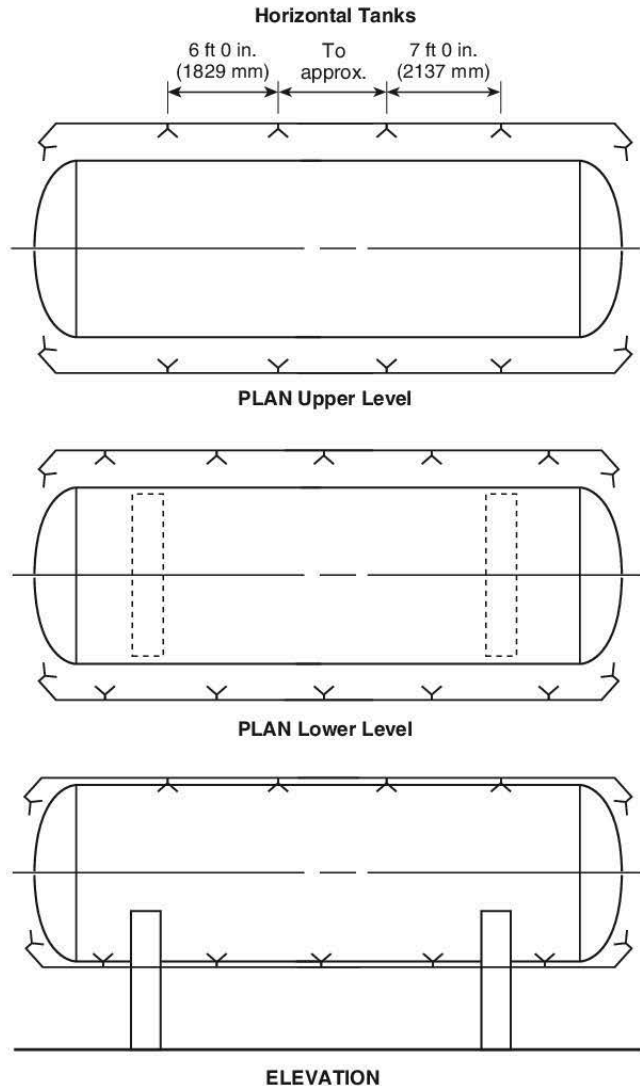
FIGURE A.7.4.2(b) Time-Temperature Curve for Atmospheric Storage Tank with Volatile Liquid Contents to Reach the Boiling Point.



**FIGURE A.7.4.2.2** Typical Vertical Tank with Skirt Protection. Refer to 7.4.2.6.

**A.7.5.1** Due to the unique characteristics of each fire risk, this standard does not provide comprehensive design criteria to prevent fires in all types of hazardous locations. Technology in this area is under constant development. The user of this standard should recognize the complexity of fire protection requirements for hazardous locations. The designer is responsible for demonstrating the validity of the approach.

The material below is Paragraph 4.6 from CSB Report No. 2004-10-I-IL, *Vinyl Chloride and Monomer Explosion*.



**FIGURE A.7.4.2.3** Typical Horizontal Tank Protection.

Deluge systems can sometimes prevent vapor cloud fires and explosions through several mechanisms:

- (1) Dispersing vapor and inducing air flow into the release, ultimately reducing the vapor concentration below the lower flammable limit.
- (2) Absorbing the substance released; this however depends on the properties of the substance, primarily its solubility in water.
- (3) Cooling and condensing vapors from materials with high boiling point temperatures, which might also reduce the vapor concentration below its lower flammability limit.
- (4) Preventing ignition by reducing the potential for static electricity-generated sparks, and by cooling hot surfaces.

Buildings should be amenable for the dispersion of flammable vapor, either by natural migration or venting or by automatically actuated exhaust. The solubility of the vapor is a key determinant of the applicability for vapor mitigation by water spray.

**A.7.5.7.1** It is necessary to activate the water spray system by vapor/gas detection so that the system activates on vapor

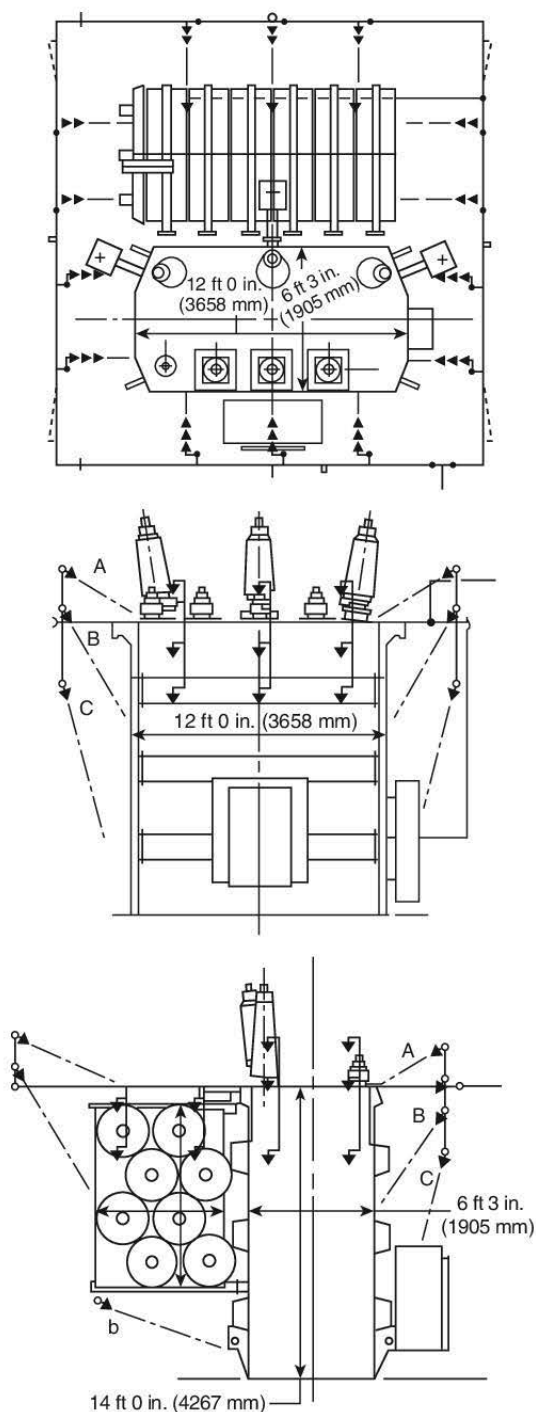


FIGURE A.7.4.4.1 Typical Transformer Layout.

release and can mitigate or disperse the subsequent vapor cloud before ignition occurs. It might also be advantageous to equip the water spray system with a flame or heat detection system in addition to the vapor/gas detection system to activate the system in case of fire since a vapor mitigation system can provide some degree of exposure protection.

**A.7.6.1** Examples of combined systems include the following:

- (1) Open-nozzle water spray protection for a vessel combined with area protection provided by a deluge system
- (2) Automatic nozzle water spray protection for cable trays combined with area protection provided by a wet pipe system

**A.7.6.2** Generally, the water spray component of a combined system is intended to supplement the protection provided by the sprinkler or deluge portion. The water spray usually is intended to cover a specific hazard or to cover specific areas or equipment items that cannot be otherwise adequately covered. Therefore, the required density from the sprinkler system should not be reduced when supplemental water spray is provided.

However, it would be acceptable to adjust the extent of water spray coverage when a portion of the coverage is provided by the sprinkler deluge portion of a combined system. For example, pressure vessels within the process structure protected by area deluge are typically provided with supplemental water spray on the bottom surfaces where the top surfaces are adequately covered by the deluge system above.

**A.7.7.1** Different arrangements from those required for other types of detection systems might be required. In particular, it should be remembered that most listed detection devices are tested in an indoor, ceiling-mounted environment, while many water spray systems are installed outdoors. This can affect the type of detector chosen and its installed spacing.

**A.7.7.3** Installations with temperature fluctuations include transformer protection involving heat exchangers having automatic fans and installations involving industrial ovens and furnaces. Additionally, protection of machinery involving movement of a hazardous material, such as a belt conveyor, would require a detection system having a faster response time than normal and appropriate interlocks to stop drive units, as well as other modifications.

**A.7.7.4** Though not an aspect that can be designed prior to installation, the response time goal for the detection system is generally 40 seconds from exposure to initiation of the system actuation valve. The intent of the paragraph is to ensure that artificial delays are not built into the detection (initiating device) system.

**A.8.1.1** See Annex B for sample calculations forms.

**A.8.1.2** The minimum operating pressure is required for proper pattern development and to overcome the effects of wind. For nozzles with orifices of  $\frac{3}{8}$  in. (9.5 mm) or less, a minimum pressure of 30 psi (207 kPa) is recommended.

**A.8.1.4** See Annex B for sample calculations.

**A.8.1.5** If  $v \leq 2.7\sqrt{P_t}$ , then the velocity pressure does not need to be calculated.

The starting equation is the basic formula for calculating velocity pressure, as follows:

[A.8.1.5a]

$$P_v = \frac{0.001123Q^2}{D^4}$$

$$P_v \geq 0.05P_t$$

## [A.8.1.5b]

$$0.05P_t = \frac{0.001123Q^2}{D^4}$$

$$P_t = 0.02246 \frac{Q^2}{D^4}$$

$$P_t = 0.02246 \left( \frac{1}{0.002228} \right)^2 Q^2 = 4525 \frac{Q^2}{D^4}$$

$$P_t = \frac{4525Q^2}{(12)^4 D^4} = 0.218 \frac{Q^2}{D^4}$$

$$P_t = 0.218 \frac{(Av)^2}{D^4}$$

$$P_t = 0.218 \frac{(0.7854D^2)^2 v^2}{D^4} = 0.134v^2$$

## [A.8.1.5c]

$$v^2 = 7.46P_t$$

$$v \leq 2.7\sqrt{P_t}$$

where:

$P_v$  = pressure, velocity (psi)

$Q$  = flow (gpm)

$D$  = pipe diameter (inside) (in.)

$P_t$  = pressure, total (psi)

$v$  = velocity (ft/sec)

$A$  = cross-sectional area (in.<sup>2</sup>)

The fifth line of the equation corrects the flow to units of cubic feet per second, while the sixth line of the equation corrects the flow to units of feet. The next step is to substitute area times velocity for the flow rate, then pi times the diameter squared divided by four for the area. By reducing the numbers and solving for  $v$ , the velocity in the pipe needs to remain at or lower than 2.7 times the square root of the total pressure as proposed.

The velocity is something that many computer models are already solving for, and it is a calculation the user can perform to determine if velocity pressure actually needs to be taken into account prior to doing the velocity pressure.

**A.8.3** The standard abbreviations and symbols in Figure B.1(d) should be used.

**A.8.3.4** See Figure B.1(c).

**A.8.5.1.2** The velocity pressure,  $P_v$ , is determined by trial and error. It is necessary to estimate the flow,  $Q$ , in the pipe on the upstream side of the nozzle, which is used to determine a trial  $P_v$ , a trial  $q$ , and a trial  $Q$ . After determining the trial  $Q$  use this value to determine a new  $P_v$ . If the new  $P_v$  is approximately equal to the trial  $P_v$ , consider the trial  $Q$  to be the actual  $Q$  and proceed with calculations. If the  $P_v$  does not check with the trial  $P_v$ , estimate  $Q$  again and proceed with successive corrections until an actual  $P_v$  is obtained that checks with a trial  $P_v$ .

The velocity pressure  $P_v$  is a measure of the energy required to keep the water in a pipe in motion. At the end of the nozzle or end section of a system (when considering the junction of sections of systems) the total pressure available in a pipe at that

point should be considered as causing flow. However, at other nozzles or junction points, the pressure causing flow will be the normal pressure, which is the total pressure minus the velocity pressure. Figure A.8.5.1.2(a) and Figure A.8.5.1.2(b) can be used for determining velocity pressures, or velocity pressure can be determined by dividing the flow in gpm squared by the proper constant from Table A.8.5.1.2.

The following assumptions are to be used in applying velocity pressure to the calculations:

- (1) At any nozzle along a pipe, except the end nozzle, only the normal pressure can act on a nozzle. At the end nozzle, the total pressure can act.
- (2) At any nozzle along a pipe, except the end nozzle, the pressure acting to cause flow from the nozzle is equal to the total pressure minus the velocity pressure on the upstream side.
- (3) To find the normal pressure at any nozzle except the end nozzle, assume a flow from the nozzle in question and determine the velocity pressure for the total flow on the upstream side. Because the normal pressure is equal to the total pressure minus the velocity pressure, the value of the normal pressure so found should result in a nozzle flow approximately equal to the assumed flow. If not, a new value should be assumed and the calculations repeated.

Velocity pressure has the effect of reducing the flow from the side outlet of a junction. Ignoring velocity head can introduce a significant error, resulting in an actual nozzle pressure that is less than required. This is especially true where velocities are high [in excess of 20 ft/sec (6 m/s)].

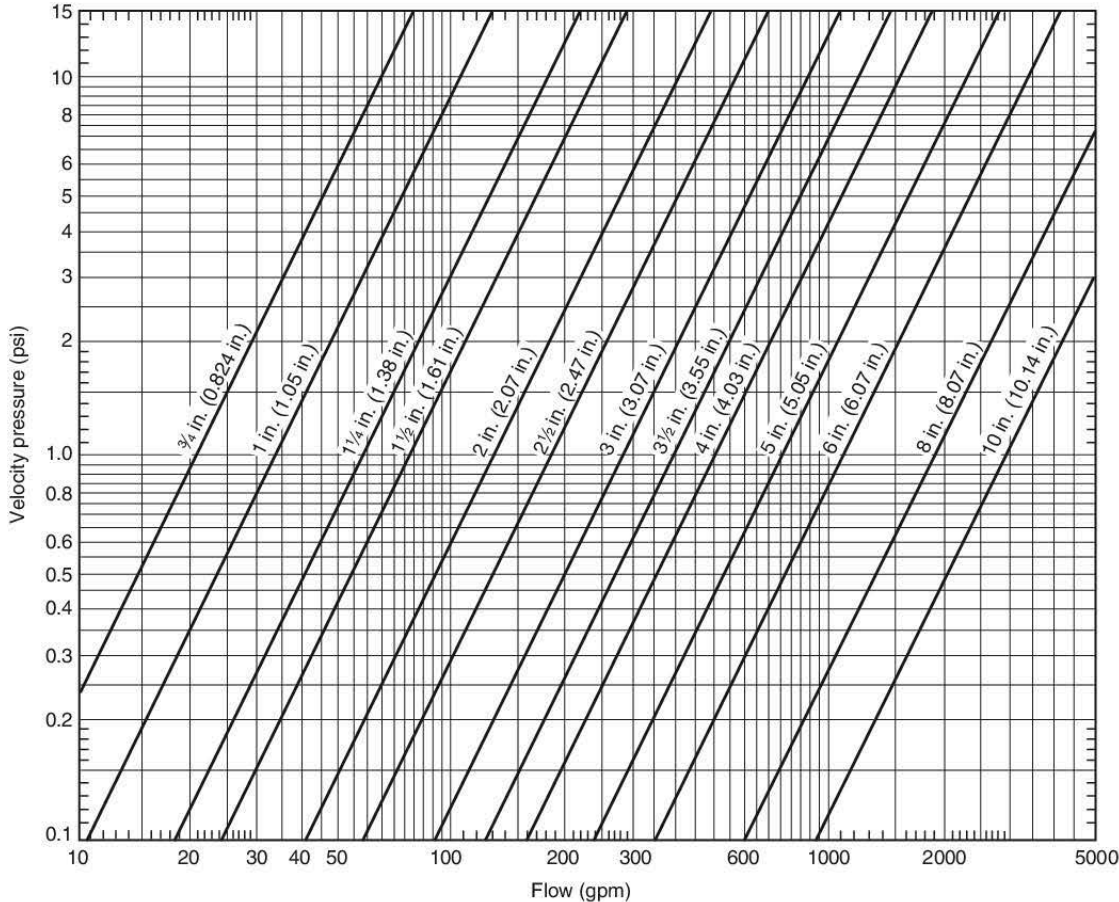
The example shown in Figure A.8.5.1.2(b) has been crafted to illustrate situations where a design, if not corrected for an excessive velocity pressure, could yield results that underestimate the required flow and pressure for the system.

**A.8.5.3** Experience has shown that good results are obtained if the calculations are made in accordance with this section. It is recognized that satisfactory results can be obtained by using other methods. However, in order to simplify the checking of calculations and to obtain more consistent correlation between calculated system characteristics and actual system characteristics, it is desirable to use a standard method. The flow from nozzles can be obtained from discharge curves rather than

**Table A.8.5.1.2 Constants for Determining Velocity Pressure**

Pipe Schedule	Pipe Size (in.)	Constant Based on Actual I.D.
40	1	1,080
40	1¼	3,230
40	1½	5,980
40	2	16,200
40	2½	33,100
40	3	78,800
40	3½	141,000
40	4	234,000
40	5	577,000
40	6	1,204,000
30	8	3,780,000
40	8	3,620,000





Note: This graph is for U.S. units only. The number in parentheses indicates the actual inside diameter of pipe.

**FIGURE A.8.5.1.2(a) US Units. Graph for the Determination of Velocity Pressure.**

individual calculations at the preference of the calculator. Similarly, flow characteristics of lines or sections of systems can be obtained by plotting results on charts made up to  $N^{1.85}$  rather than by calculating constants ( $K$ -values).

**A.9.3.1** A fire department connection should not be considered as a primary source of water supply for a water spray system.

**A.10.1** See NFPA 13 and NFPA 24 for further information on system acceptance.

**A.10.2.1** When planning the flushing operations, consideration should be given to disposal of the water issuing from the test outlets.

**A.10.4.2** Some detection circuits might be deliberately desensitized in order to override unusual ambient conditions. In such cases, the response in 10.4.2 might be exceeded.

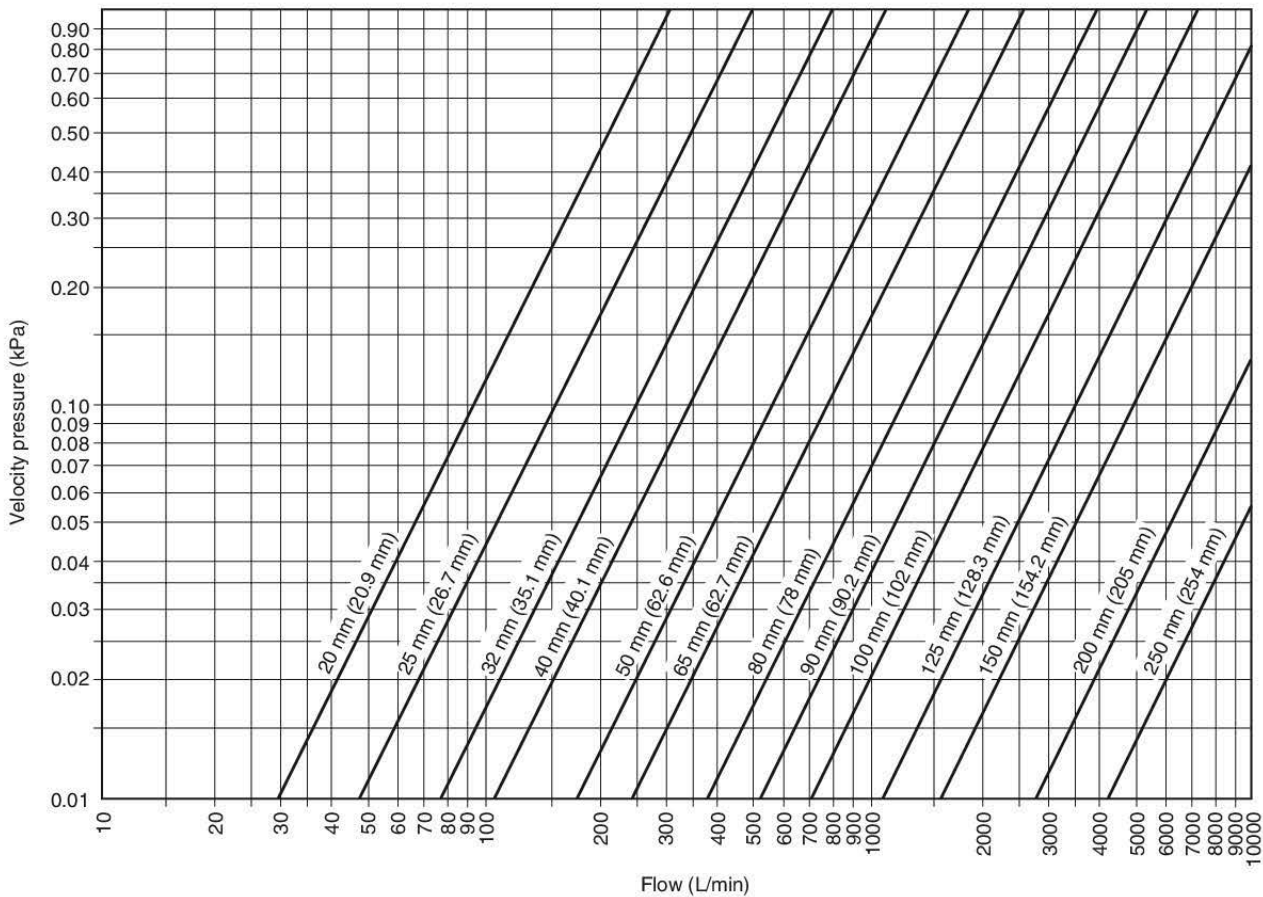
Testing of integrated tubing systems might be related to this test by means of a standard pressure impulse test specified by the listing laboratory.

One method of testing heat detection uses a radiant heat surface at a temperature of 300°F (149°C) and a capacity of 350 W at a distance of 1 in. (25 mm) but not more than 2 in.

(50 mm) from the nearest part of the detector. This method of testing with an electric test set should not be used in hazardous locations. Other test methods can be employed, but the results should be related to the results obtained under these conditions.

**A.12.1** This standard deals with fixed piped ultra-high-speed water spray systems. There are specialized self-contained ultra-high-speed deluge systems, which are outside the scope of this standard. The supervised systems can be used alone or with the ultra-high-speed deluge systems discussed in this standard. Nonsupervised systems should not be used without fixed pipe ultra-high-speed backup as described in this standard. The following two small self-contained deluge systems are currently in use [the military ordnance industry (both government and private facilities) is currently the primary user].

(1) The portable deluge system is a transportable self-contained ultra-high-speed deluge system. The system uses multiple optical fire detectors, multiple nozzles, and a pressurized water tank [typically 100 gal (379 L) of water]. Response time does not exceed 100 milliseconds (detection to water at the nozzle). The portable system is intended to protect short-term operations. This system is supervised.



Note: This graph is for metric units only. The number in parentheses indicates the actual inside diameter of pipe.

**FIGURE A.8.5.1.2(b) Metric Units. Graph for the Determination of Velocity Pressure.**

(2) A fixed pressurized sphere ultra-high-speed deluge system is a self-contained system. The system uses one or more optical fire detectors, at least one pressurized [typically 500 psi (3448 kPa)] water sphere [typically 2.5 gal to 8 gal (10 L to 30 L)] with a rupture disc and internal squib), and an electronic controller. Response time is less than 10 milliseconds (detection to water at the nozzle). The sphere discharges water when the squib fires, opening the rupture disc. A screen breaks the water into small-atomized particles and collects the residual squib fragments. This system is not currently supervised.

**A.12.1.1** Extinguishment of fires using ultra-high-speed water spray systems is accomplished by surface cooling, by dispersion or dilution of the combustible material, by cooling the expanding flame front, or by a combination of these factors.

Examples of facilities where such systems are advantageous include rocket fuel manufacturing or processing, solid propellant manufacturing or handling, ammunition manufacturing, pyrotechnics manufacturing, and the manufacture or handling of other volatile solids, chemicals, dusts, or gases. Other facilities where the very rapid application of water spray is desirable can be considered. Where used to protect process equipment, these systems will not prevent overpressures. This equipment should be protected in accordance with NFPA 68.

**A.12.1.2** For the design of deflagration suppression systems for purposes of limiting overpressure, refer to NFPA 69.

There is no fire protection system that can stop the detonation process when the explosive goes to a high-order state. In many cases, there is a fire or deflagration before the incident progresses to a detonation. An example of high explosives process applications is the extrusion dies for C-4 explosives. In this situation, there is a high probability that there will be deflagration that can be suppressed with an ultra-high-speed water spray system before the transition to a detonation.

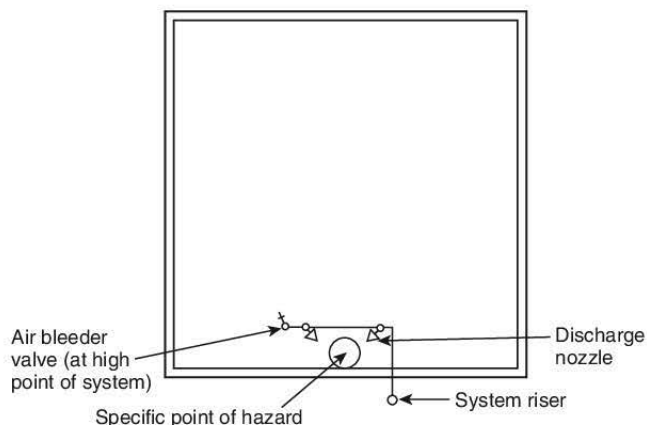
**A.12.3.1.1** See Figure A.12.3.1.1.

**A.12.3.1.2** See Figure A.12.3.1.2.

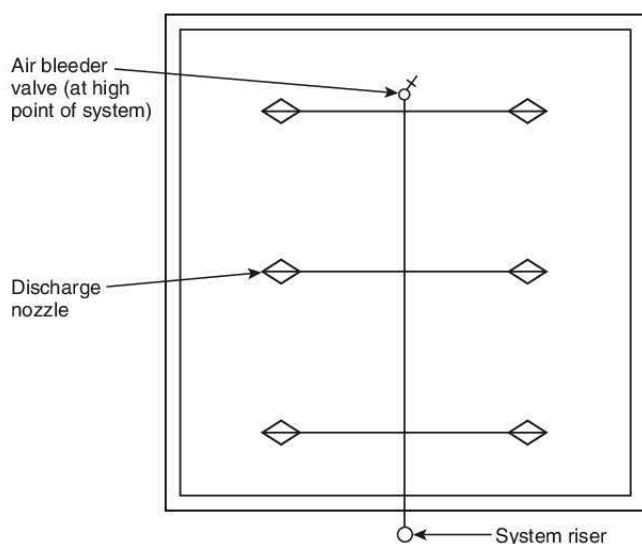
**A.12.3.1.3** An example of a dual application system could be one that protects a specified area from the ceiling and also has nozzles located to protect a specific point or points of likely ignition (see Figure A.12.3.1.3).

**A.12.3.1.4** For additional information, refer to US Department of Defense standard DOD 6055.9-STD, *Ammunition and Explosives Safety Standards*.

To protect personnel, the process equipment should be interlocked to shut down upon activation of the ultra-high-speed water spray system.



**FIGURE A.12.3.1.1 Ultra-High-Speed Local Application for a Point of Hazard.**



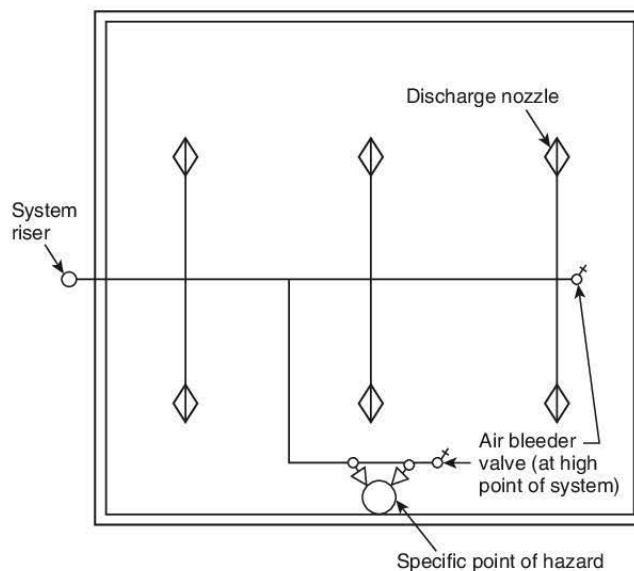
Note:  $\diamond$ —High-speed water spray nozzle in the pendant position.

**FIGURE A.12.3.1.2 Ultra-High-Speed Area Application for a Small Room.**

**A.12.3.2.3** A commonly used density for preventing propagation and structural damage is  $0.5 \text{ gpm/ft}^2$  [ $200 \text{ (L/min)/m}^2$ ].

Some hazards, particularly the extinguishment of pyrotechnic fires, require significantly higher density rates. These rates can be as high as  $3.0 \text{ gpm/ft}^2$  [ $11 \text{ (L/min)/m}^2$ ] for area coverage, or  $50 \text{ gpm}$  ( $189 \text{ L/min}$ ) per nozzle for point protection coverage. Tests have shown that fires involving some pyrotechnic materials require a water flow of  $200 \text{ gpm}$  ( $757 \text{ L/min}$ ) or more to extinguish.

**A.12.3.4** As speed is a strong function of volumetric capacity, it is recommended that ultra-high-speed water spray systems be kept as small as possible. Tests have shown that systems having a capacity in excess of  $500 \text{ gal}$  ( $1893 \text{ L}$ ) are less likely to be capable of delivering water to the nozzles within  $100$  milliseconds.



Note:  $\diamond$ —High-speed water spray nozzle in the pendant position.

**FIGURE A.12.3.1.3 Ultra-High-Speed Dual Application System.**

The capacities of various sizes of pipe are given in Table A.12.3.4 for convenience in calculating system capacity.

**A.12.3.8.2** Initial pressure to an ultra-high-speed water spray system is ordinarily obtained from an elevated tank, a pressure tank, or an excess pressure pump. A fire pump can be used to provide the required flow and pressure after the system has started to operate.

**A.12.3.9.1** The time for the water to travel from the nozzle to the hazard is not currently included in the total response time, but research efforts are under way to determine the impact of water travel.

**A.12.3.10** System actuation valves commonly in use are the squib-operated valve [see Figure A.12.3.10(a)] and the solenoid-operated valve [see Figure A.12.3.10(b)].

**A.12.3.10.1** Consideration should be given to personnel, operations, and maintenance of protected equipment.

**A.12.3.11.3** Trapped air in an ultra-high-speed water spray system dramatically increases system response time. Piping systems must be sufficiently sloped to allow removal of all trapped air.

**A.12.3.12** Pipe movement can be caused by system activation or from the force of a deflagration.

**A.12.3.13.1** Strainers minimize sediment from interfering with the proper seating of the poppet.

**A.12.4** Response time is commonly measured by placing a waterflow detector on the nozzle and measuring the time from presentation of an energy source to the sensing device and commencement of water flow at the nozzle.

Table A.12.3.4 Capacity of One Foot of Pipe (Based on Actual Internal Pipe Diameter)

Nominal Diameter (in.)	Gal		Nominal Diameter (in.)	Gal	
	Sch 40	Sch 10		Sch 40	Sch 10
3/4	0.028	—	3	0.383	0.433
1	0.045	0.049	3 1/2	0.513	0.576
1 1/4	0.078	0.085	4	0.660	0.740
1 1/2	0.106	0.115	5	1.040	1.144
2	0.174	0.190	6	1.501	1.649 <sup>a</sup>
2 1/2	0.248	0.283	8	2.66 <sup>b</sup>	2.776 <sup>c</sup>

Note: For SI units, 1 in. = 25.4 mm; 1 ft = 0.3048 m; 1 gal = 3.785 L.

<sup>a</sup>0.134 wall pipe

<sup>b</sup>Schedule 30

<sup>c</sup>0.188 wall pipe

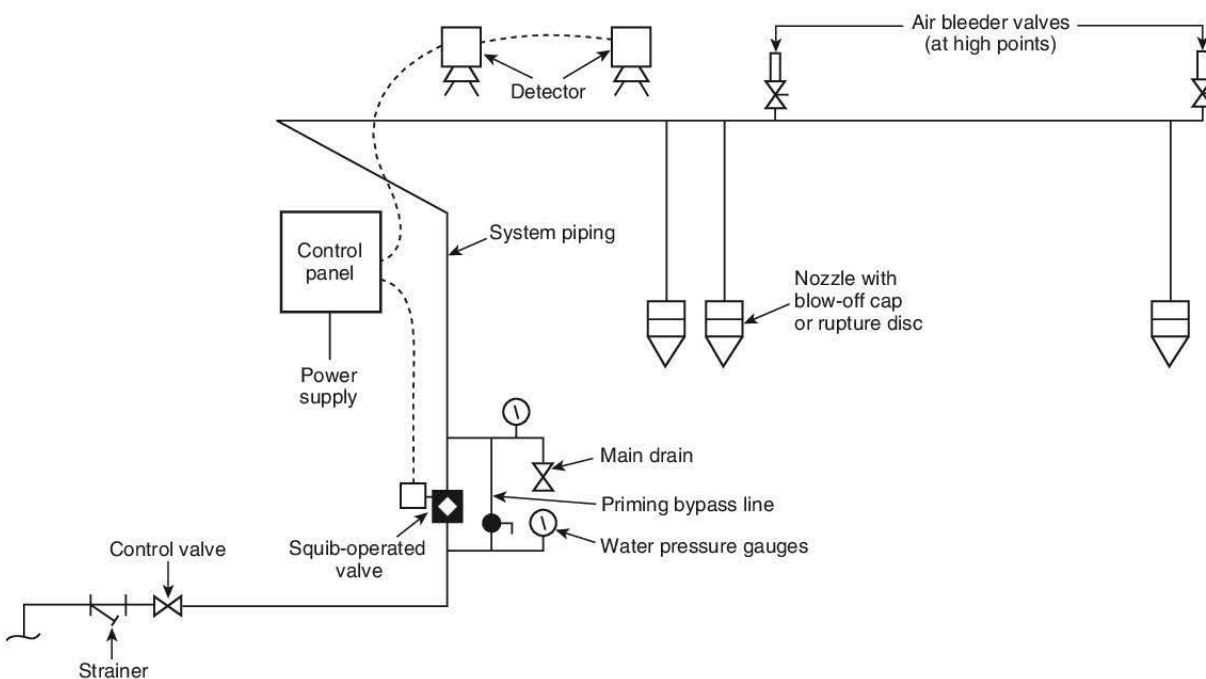


FIGURE A.12.3.10(a) Ultra-High-Speed System Using Squib-Operated Valve.

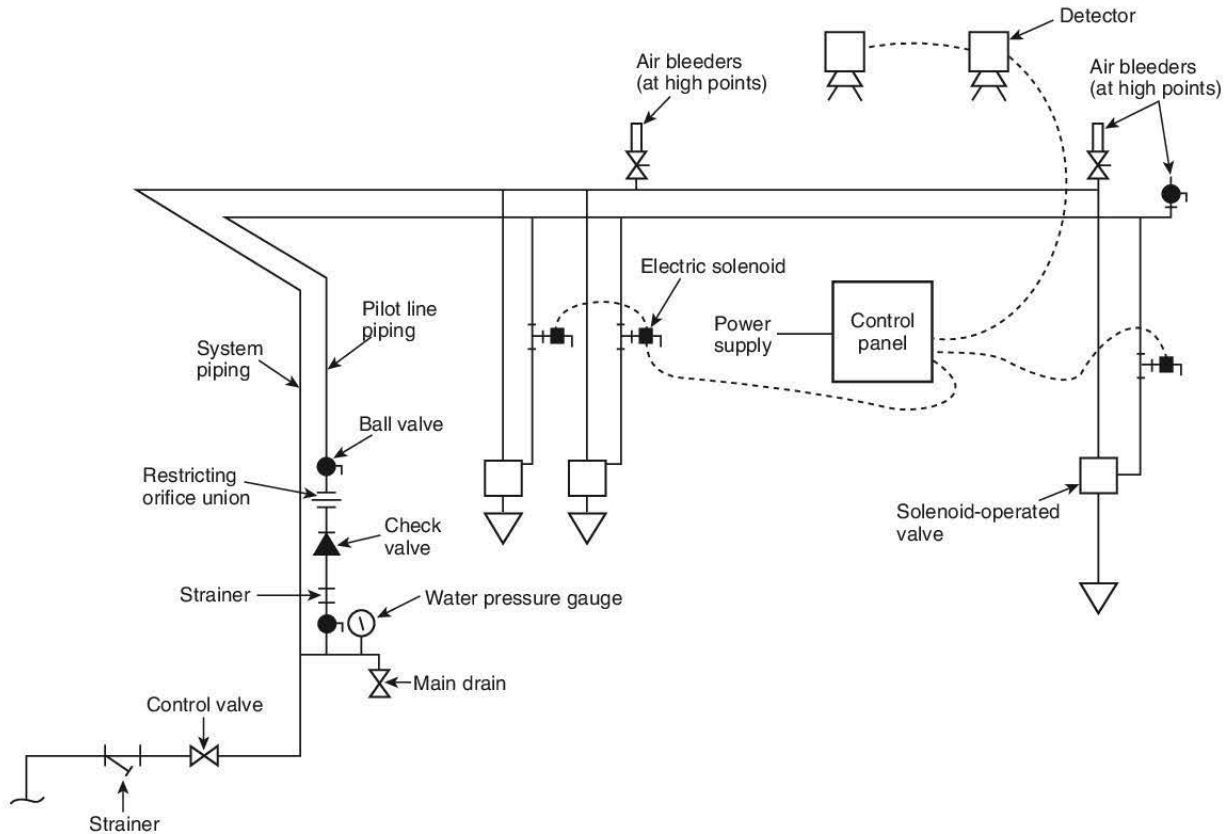
The following two methods are commonly used to measure response time:

- (1) *Digital Timer.* A millisecond digital timer is started when a saturating energy source is presented to the sensing device and stopped by the actuation of a waterflow switch at the nozzle.
- (2) *High-Speed Video Recording System.* A high-speed video camera and recorder (at least 120 frames/second) can be used to provide a very accurate measurement. It can also be used to measure the water travel time from the nozzle to the hazard.

**A.12.5.1** A good preventive maintenance program is needed to keep systems operational and reduce false activations. Experience has shown that increasing the time period beyond 6 weeks results in a significant increase of false activations and

other system problems. The following items should be considered when establishing maintenance procedures:

- (1) System checks.
  - (a) Measure all voltages.
  - (b) Put all controllers in bypass, and check for loose wires and/or relays.
  - (c) Clean all dirt and debris from control panel.
  - (d) Check all lamps on control panel.
  - (e) Spot check conduit fittings for moisture and/or loose wire nuts.
  - (f) Check squib-operated valve o-rings (damp or wet primers).
  - (g) Check OS&Y valve limit switches on water supply lines.



**FIGURE A.12.3.10(b) Ultra-High-Speed System Using Solenoid-Operated Valves.**

- (2) Sensing devices.
  - (a) Remove each lens and clean.
  - (b) Remove each barrel, and check grounding springs, when used.
  - (c) Tighten each terminal screw in sensing devices.
  - (d) Clean and inspect all optical integrity rings, when used.
  - (e) Check for moisture and/or corrosion inside sensing device housings.
  - (f) Check each detector for proper alignment.
  - (g) Check housing for continuity.
  - (h) Reactivate system, and check for problems.
- (3) Flow tests should be conducted as follows:
  - (a) Annually for active systems.
  - (b) After major maintenance or modification.
  - (c) After reactivating an inactive system.
- (4) Priming water — squib-operated system.
  - (a) Check weekly.
  - (b) Open vent.
  - (c) Crack priming valve.
  - (d) Allow water to flow for a few minutes, close priming valve, then the vent valve.
- (5) Squib-operated valve.
  - (a) Trip system at least annually by firing primers.
  - (b) Replace primers at least annually.
- (6) Solenoid-operated valves.
  - (a) Trip system at least annually.
  - (b) Check solenoid valve for leaks.

## Annex B Hydraulic Calculations

*This annex is not a part of the requirements of this NFPA document but is included for informational purposes only.*

**B.1 Forms for Hydraulic Calculations.** See Figure B.1(a) through Figure B.1(d).

**B.2 Sample Calculations.** Figure B.2(a) shows a hypothetical water spray system layout. Figure B.2(e) and Figure B.2(h) show a sample calculation for this system, using pipe sizing and nozzles with constants such that the velocity pressures generally exceed 5 percent of the total pressures, and the designer elected to include velocity pressures. Figure B.2(g) and Figure B.2(h) show a sample calculation for this system, using pipe sizing and nozzles with constants such that velocity pressures are less than 5 percent of the total pressures, and the velocity pressures were not included in the calculation. Figure B.2(c) and Figure B.2(d) show a graphical representation of the results of hydraulic calculations shown in Figure B.2(g) and Figure B.2(h), assuming 250 gpm (946 L/min) outside hydrant flow requirements and 4.0 psi (0.28 bar) of underground friction loss.

Calculations for the system in Figure B.2(b) are fairly straightforward until one attempts to balance at junction point “C.” The side outlet of the tee at “C” only sees the normal pressure. In this example, due to the high velocity through “C,” the normal pressure available to “B” is less than that required to satisfy the individual nozzle demand. This requires actually increasing the total pressure coming into “C” to satisfy the rule for both velocity head correction and for pressure balance. If not, the nozzles fed by line “C–B” will be denied adequate flow. [Refer to Figure B.2(b).] The 28.2 psi pressure at “C” from the side outlet is used as a minimum normal pressure starting point, to which the assumed velocity pressure of 13.6 psi is added, to get a new total pressure of 41.8 psi. The flow straight through the tee at point “C” is then increased by the ratio of  $(41.8/29.7)^{1/2}$ .

Figure B.2(i) and Figure B.2(j) present calculations in which velocity pressure is ignored. For the example system shown, correcting the velocity pressure indicates that the system would require 12.1 percent more flow (785.2 gpm vs. 700.5 gpm) and 26.9 percent more pressure (120.2 psi versus 94.7 psi).

The alternatives for correcting the system to a more balanced configuration include increasing the pipe size to reduce the effect of velocity pressure (though this can result in an alteration of the specified nozzle’s spray pattern) and modifying the piping arrangement (for example, using bull-headed tees at critical junctions). Whether or not a correction is made, the velocity pressure at each side outlet should be examined to determine if corrective action is desired.

HYDRAULIC DESIGN INFORMATION SHEET						
Name _____		Date _____				
Location _____						
Building _____		System No. _____				
Contractor _____		Contract No. _____				
Calculated by _____		Drawing No. _____				
Construction: <input type="checkbox"/> Combustible <input type="checkbox"/> Noncombustible		Ceiling Height _____ ft (m)				
Occupancy _____						
<b>System Design</b>	<input type="checkbox"/> NFPA 13 <input type="checkbox"/> LT HAZ <input type="checkbox"/> ORD HAZ <input type="checkbox"/> <sup>1</sup> <input type="checkbox"/> <sup>2</sup> <input type="checkbox"/> <sup>3</sup> <input type="checkbox"/> EX HAZ <input type="checkbox"/> <sup>1</sup> <input type="checkbox"/> <sup>2</sup>					
	<input type="checkbox"/> NFPA 15 <input type="checkbox"/> Figure _____ <input type="checkbox"/> Curve _____					
	<input type="checkbox"/> Other (Specify) _____					
	<input type="checkbox"/> Specific ruling _____ Made by _____ Date _____					
<b>System Design</b>	Area of sprinkler operation _____		<b>System Type</b> <input type="checkbox"/> Wet <input type="checkbox"/> Dry <input type="checkbox"/> Deluge <input type="checkbox"/> Preaction  <b>Sprinkler or Nozzle</b> Make _____ Model _____ Size _____ K-factor _____ Temperature rating _____			
	Density _____					
	Area per sprinkler _____					
	Hose allowance gpm (L/min): Inside _____					
	Hose allowance gpm (L/min): Outside _____					
Rack sprinkler allowance _____						
<b>Calculation Summary</b>	System gpm (L/min) required _____ psi (kPa) required _____		At base of riser _____			
	"C" factor used: _____		Overhead _____ Underground _____			
	Total gpm (L/min) required _____ psi (kPa) required _____ Ref. Pt. _____		System nos. operating _____			
<b>Water Supply</b>	<b>Water Flow Test</b>		<b>Pump Data</b>		<b>Tank or Reservoir</b>	
	Date and time _____		Rated capacity _____		Capacity _____	
	Static psi (kPa) _____		At psi (kPa) _____		Elevation _____	
	Residual psi (kPa) _____		Elevation _____		<b>Well</b>	
gpm (L/min) flowing _____				Proof flow _____ gpm (L/min)		
Elevation _____						
Location _____						
Source of information _____						
<b>Commodity Storage</b>	Commodity _____		Glass _____		Location _____	
	Storage height _____		Area _____		Aisle width _____	
	Storage method: Solid piled _____		% Palletized _____		% Rack _____	
	% Plastics _____					
	<b>Rack</b>	<input type="checkbox"/> Single row <input type="checkbox"/> Conventional pallet <input type="checkbox"/> Automatic storage <input type="checkbox"/> Encapsulated				
<input type="checkbox"/> Double row <input type="checkbox"/> Slave pallet <input type="checkbox"/> Solid shelving <input type="checkbox"/> Nonencapsulated						
<input type="checkbox"/> Multiple row <input type="checkbox"/> Open						
<b>Flue Spacing in in. (mm)</b>			<b>Clearance from Top of Storage to Ceiling</b>			
Longitudinal _____		Transverse _____		_____ ft (m) _____ in. (mm)		
Horizontal barriers provided _____						
© 2021 National Fire Protection Association						NFPA 15 (p. 1 of 1)

FIGURE B.1(a) Sample Summary Sheet.

### HYDRAULIC CALCULATIONS

Contract No. \_\_\_\_\_

Sheet No. \_\_\_\_\_ of \_\_\_\_\_

Name and Location \_\_\_\_\_

Reference	Nozzle Ident. & Location	Flow in gpm (L/min)	Pipe Size in. (mm)	Pipe Fittings & Devices ft (m)	Equiv. Pipe Length ft (m)	Friction Loss psi/ft (bar/m)	Req. psi (bar)	Normal Pressure psi (bar)	Notes
		<i>q</i>			Lgth. _____		$P_t$ _____	$P_t$ _____	
					Ftg. _____		$P_f$ _____	$P_v$ _____	
		<i>Q</i>			Tot. _____		$P_e$ _____	$P_n$ _____	

FIGURE B.1(b) Sample Worksheet.



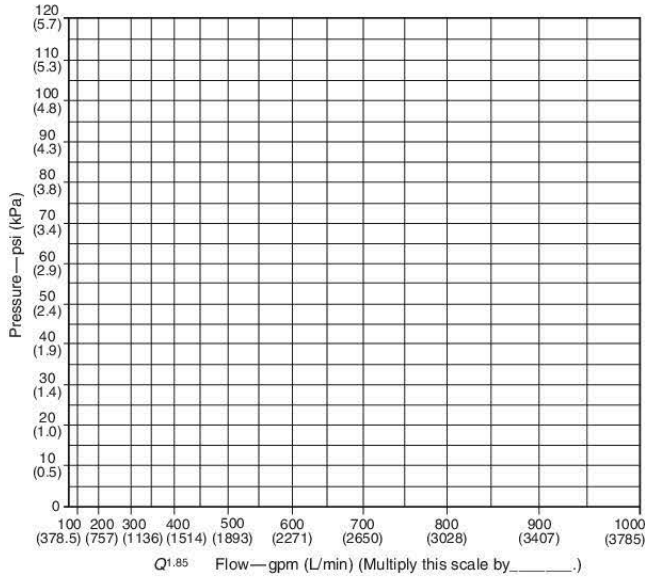
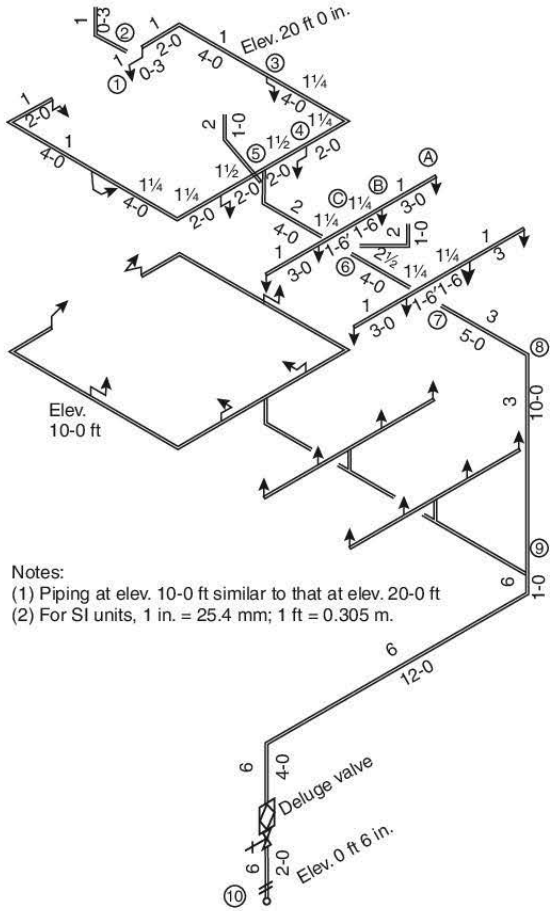


FIGURE B.1(c) Sample Graph Sheet.

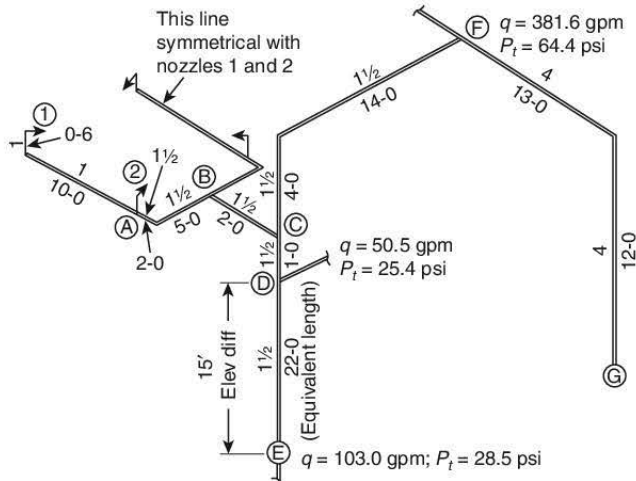
Symbols or Abbreviations	Item	Symbols or Abbreviations	Item
$P$	Pressure in psig	$GV$	Gate valve
$P_m$	Pressure in bars	$Del V$	Deluge valve
$gpm$	Flow rate in U.S. gallons per minute	$DPV$	Dry-pipe valve
$q$	Flow increment in gpm to be added at a specific location	$AL V$	Alarm valve
$q_m$	Flow increment in liters per minute (L/min) to be added at a specific location	$CV$	Swing check valve
$Q$	Summation of flow in gpm at a specific location	$St$	Strainer
$Q_m$	Summation of flow in L/min at a specific location	$psig$	Pounds per square inch gauge
$P_t$	Total pressure at a point in a pipe	$v$	Velocity of water in pipe in feet per second
$P_f$	Pressure loss due to friction between points indicated in location column	$v_m$	Velocity of water in pipe in meters per second
$P_e$	Pressure due to elevation difference between indicated points. This can be a plus value or a minus value. Where minus, the symbol (–) should be used; where plus, no sign need be indicated.	$g$	Acceleration due to gravity in feet per second (generally 32.0 or 32.16 is used)
$P_v$	Velocity pressure at a point in a pipe	$g_m$	Acceleration due to gravity 9.807 meters per second
$P_n$	Normal pressure at a point in a pipe	$K$	A constant
$E$	90° elbow	$K_m$	A constant (SI)
$EE$	45° elbow	$C$	Hazen and Williams friction loss coefficient
$Lt E$	Long turn elbow	$p$	Frictional resistance per foot of pipe in psi per foot
$Cr$	Cross	$p_m$	Frictional resistance per meter of pipe in bars per meter
$T$	Tee, flow turned 90°	$d$	Actual internal diameter of pipe used, in inches
		$d_m$	Actual internal diameter of pipe in millimeters

FIGURE B.1(d) Abbreviations and Symbols for Hydraulic Calculations.



Notes:  
 (1) Piping at elev. 10.0 ft similar to that at elev. 20.0 ft  
 (2) For SI units, 1 in. = 25.4 mm; 1 ft = 0.305 m.

FIGURE B.2(a) Drawing of Water Spray System Used for Sample Calculations Shown in Figure B.2(e) Through Figure B.2(h).



Note: For SI units, 1 gpm = 3.78 L/min (flow); 1 ft = 0.3048 m (length); 1 in. = 25 mm; 1 1/2 in. = 40 mm; 4 in. = 100 mm (pipe).

FIGURE B.2(b) Drawing of Water Spray System Used for Sample Calculations Shown in Figure B.2(i) and Figure B.2(j).

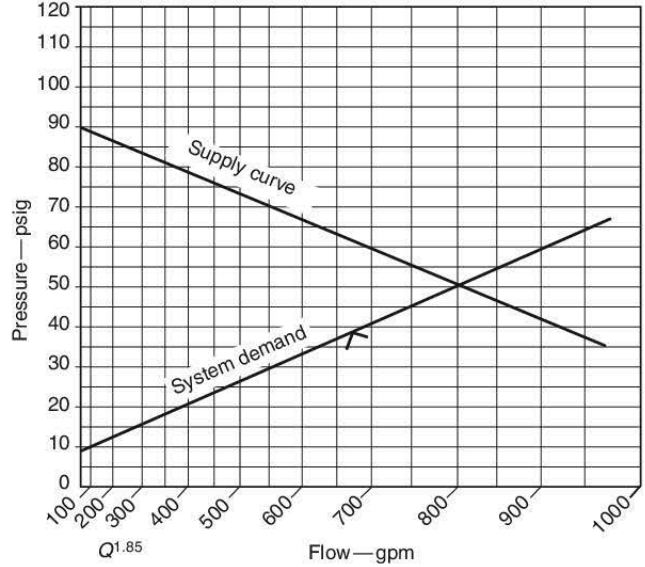


FIGURE B.2(c) Sample Graph Sheet, US Units.

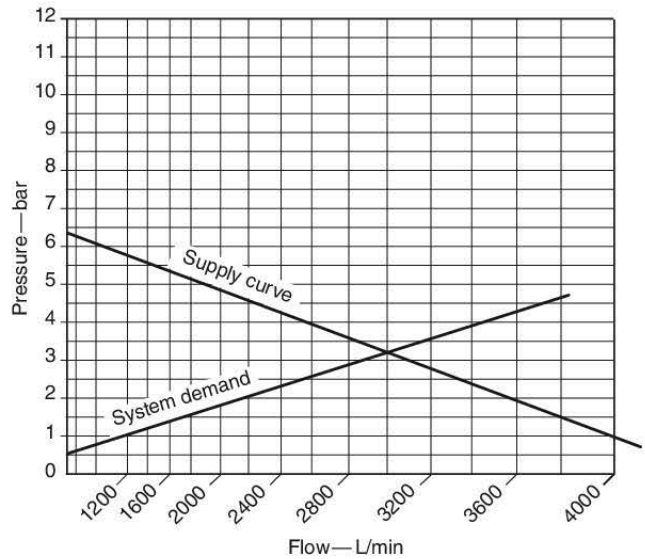


FIGURE B.2(d) Sample Graph Sheet, SI Units.

**HYDRAULIC CALCULATIONS**

For System Shown on Fig. B.2(a)  
All Nozzles Type N 90  
(Nozzle Discharge Constant 9.0)

Sheet No. 1 of 2  
 By J. E. C.  
 Date 12 - 5 - 05  
 Job No. 1571

Nozzle Ident. & Location	Flow in gpm	Pipe Size (in.)	Pipe Fittings & Devices (ft)	Equiv. Pipe Length (ft)	Friction Loss (psi/ft)	Pressure Summary	Normal Pressure (psi)	Nozzle Elev.	Notes
1-N90 ①	q 40.2	1	E = 2.0	Lgth. 0.5	0.47	P <sub>t</sub> 20.0	P <sub>t</sub>	21.0'	q <sub>1</sub> = 9.0√20 = 40.2
	Q 40.2			Ftg. 2.0		P <sub>e</sub> -	P <sub>v</sub>		
				Tot. 2.5		P <sub>f</sub> 1.2	P <sub>n</sub>		
②	q -	1	2E = 4.0	Lgth. 6.0	0.47	P <sub>t</sub> 21.2	P <sub>t</sub>		
	Q 40.2			Ftg. 4.0		P <sub>e</sub> -	P <sub>v</sub>		
				Tot. 10.0		P <sub>f</sub> 4.7	P <sub>n</sub>		
1-N90 ③	q 40.6	1 1/4	E = 3.0	Lgth. 6.0	0.46	P <sub>t</sub> 25.9	P <sub>t</sub> 25.9		q <sub>3</sub> = 8.3√23.9 = 40.6 For K <sub>3</sub> Calcs, see ①.
	Q 80.8			Ftg. 3.0		P <sub>e</sub> -	P <sub>v</sub> 2.0		
				Tot. 9.0		P <sub>f</sub> 4.1	P <sub>n</sub> 23.9		
1-N90 ④	q 43.5	1 1/2	T = 8.0	Lgth. 2.0	0.48	P <sub>t</sub> 30.0	P <sub>t</sub> 30.0		q <sub>4</sub> = 8.3√27.4 = 43.5
	Q 124.3			Ftg. 8.0		P <sub>e</sub> -	P <sub>v</sub> 2.6		
				Tot. 10.0		P <sub>f</sub> 4.8	P <sub>n</sub> 27.4		
3-N90 ⑤	q 124.3	2	E = 5.0	Lgth. 5.0	0.50	P <sub>t</sub> 34.8	P <sub>t</sub>		
	Q 248.6			Ftg. 5.0		P <sub>e</sub> 0.4	P <sub>v</sub>		
				Tot. 10.0		P <sub>f</sub> 5.0	P <sub>n</sub>		
4-N90 ⑥	q 180.0	2 1/2		Lgth. 4.0	0.58	P <sub>t</sub> 40.2	P <sub>t</sub> 40.2	20.0'	q <sub>6</sub> = 30.6√34.7 = 180 For K <sub>6</sub> Calcs, see ②.
	Q 428.6			Ftg. -		P <sub>e</sub> -	P <sub>v</sub> 5.5		
				Tot. 4.0		P <sub>f</sub> 2.3	P <sub>n</sub> 34.7		
4-N90 ⑦	q 188.0	3	E = 7.0	Lgth. 5.0	0.40	P <sub>t</sub> 42.5	P <sub>t</sub> 42.5		q <sub>7</sub> = 30.6√37.7 = 188
	Q 616.6			Ftg. 7.0		P <sub>e</sub> -	P <sub>v</sub> 4.8		
				Tot. 12.0		P <sub>f</sub> 4.8	P <sub>n</sub> 37.7		
⑧	q -	3		Lgth. 10.0	0.40	P <sub>t</sub> 47.3	P <sub>t</sub>		
	Q 616.6			Ftg. -		P <sub>e</sub> 4.3	P <sub>v</sub>		
				Tot. 10.0		P <sub>f</sub> 4.0	P <sub>n</sub>		
14-N90 ⑨	q 640.0	6	2E = 28.0	Lgth. 19.0	0.054	P <sub>t</sub> 55.6	P <sub>t</sub> 55.6	10.0'	q <sub>9</sub> = 86.8√54.5 = 640 For K <sub>9</sub> Calcs, see ③.
	Q 1256.6			Del V = 10.0		Ftg. 41.0	P <sub>e</sub> 4.1		
			G.V. = 3.0	Tot. 60.0		P <sub>f</sub> 3.2	P <sub>n</sub> 54.3		
⑩	q -	✓		Lgth. -		P <sub>t</sub> 62.9 ✓	P <sub>t</sub>	0.5'	
	Q 1256.6			Ftg. -		P <sub>e</sub>	P <sub>v</sub>		
				Tot. -		P <sub>f</sub>	P <sub>n</sub>		
	q -			Lgth. -		P <sub>t</sub> -	P <sub>t</sub> -		Note: Flow test at yard hydrants
	Q -			Ftg. -		P <sub>e</sub> -	P <sub>v</sub> -		Static pressure: 89 psi
				Tot. -		P <sub>f</sub> -	P <sub>n</sub> -		
	q -			Lgth. -		P <sub>t</sub> -	P <sub>t</sub> -		Residual pressure: 89 psi
	Q -			Ftg. -		P <sub>e</sub> -	P <sub>v</sub> -		Flow: 1300 gpm
				Tot. -		P <sub>f</sub> -	P <sub>n</sub> -		~2300 gpm available
	q -			Lgth. -		P <sub>t</sub> -	P <sub>t</sub> -		@ 62.9 psi
	Q -			Ftg. -		P <sub>e</sub> -	P <sub>v</sub> -		
				Tot. -		P <sub>f</sub> -	P <sub>n</sub> -		
	q -			Lgth. -		P <sub>t</sub> -	P <sub>t</sub> -		
	Q -			Ftg. -		P <sub>e</sub> -	P <sub>v</sub> -		
				Tot. -		P <sub>f</sub> -	P <sub>n</sub> -		

FIGURE B.2(e) Calculation of System Shown in Figure B.2(a) with Velocity Pressure Included, US Units.

**HYDRAULIC CALCULATIONS**

For System Shown on Fig. B.2(a)  
All Nozzles Type N 90  
(Nozzle Discharge Constant 3.0)

Sheet No. 2 of 2  
 By J. E. C.  
 Date 12 - 5 - 05  
 Job No. 1571

Nozzle Ident. & Location	Flow in gpm	Pipe Size (in.)	Pipe Fittings & Devices (ft)	Equiv. Pipe Length (ft)	Friction Loss (psi/ft)	Pressure Summary	Normal Pressure (psi)	Nozzle Elev.	Notes
1-N90 ①	q 40.2	1	E=2.0	Lgth. 0.5	0.47	P <sub>t</sub> 20.0	P <sub>t</sub>		K <sub>3</sub> = $\frac{40.2}{\sqrt{23.3}} = 6.3$
	Q 40.2		T=5.0	Fg. 7.0		P <sub>e</sub> -	P <sub>v</sub>		
				Tot. 7.5		P <sub>f</sub> 3.5	P <sub>n</sub>		
	q			Lgth.		P <sub>t</sub> 23.5	P <sub>t</sub>		
	Q			Fg.		P <sub>e</sub>	P <sub>v</sub>		
				Tot.		P <sub>f</sub>	P <sub>n</sub>		
②	q			Lgth.		P <sub>t</sub>	P <sub>t</sub>		
	Q			Fg.		P <sub>e</sub>	P <sub>v</sub>		
				Tot.		P <sub>f</sub>	P <sub>n</sub>		
1-N90 ③	q 40.2	1		Lgth. 3.0	0.47	P <sub>t</sub> 20.0	P <sub>t</sub>	21.0'	
	Q 40.2			Fg. -		P <sub>e</sub> -	P <sub>v</sub>		
				Tot. 3.0		P <sub>f</sub> 1.4	P <sub>n</sub>		
1-N90 ④	q 39.6	1 1/4	T=6.0	Lgth. 1.5	0.44	P <sub>t</sub> 21.4	P <sub>t</sub> 21.4		
	Q 79.8			Fg. 6.0		P <sub>e</sub> -	P <sub>v</sub> 2.0		
				Tot. 7.5		P <sub>f</sub> 3.3	P <sub>n</sub> 19.4		
2-N90 ⑤	q 79.8	2	T=10.0	Lgth. 1.0	0.23	P <sub>t</sub> 24.7	P <sub>t</sub>	20.0'	K <sub>6</sub> = $\frac{159.6}{\sqrt{27.6}} = 30.6$
	Q 159.6			Fg. 10.0		P <sub>e</sub> 0.4	P <sub>v</sub>		
				Tot. 11.0		P <sub>f</sub> 2.5	P <sub>n</sub>		
	q			Lgth.		P <sub>t</sub> 27.6	P <sub>t</sub>		
	Q			Fg.		P <sub>e</sub>	P <sub>v</sub>		
				Tot.		P <sub>f</sub>	P <sub>n</sub>		
Lower Pipe Level ⑥	q			Lgth.		P <sub>t</sub>	P <sub>t</sub>		
	Q			Fg.		P <sub>e</sub>	P <sub>v</sub>		
				Tot.		P <sub>f</sub>	P <sub>n</sub>		
14-N90 ⑦	q	3	T=15.0	Lgth. 5.0	0.40	P <sub>t</sub> 42.5	P <sub>t</sub>		K <sub>9</sub> = $\frac{616.6}{\sqrt{50.5}} = 86.8$
	Q 616.6			Fg. 15.0		P <sub>e</sub> 8.0	P <sub>v</sub>		
				Tot. 20.0		P <sub>f</sub> 50.5	P <sub>n</sub>		
	q			Lgth.		P <sub>t</sub>	P <sub>t</sub>		
	Q			Fg.		P <sub>e</sub>	P <sub>v</sub>		
				Tot.		P <sub>f</sub>	P <sub>n</sub>		
	q			Lgth.		P <sub>t</sub>	P <sub>t</sub>		
	Q			Fg.		P <sub>e</sub>	P <sub>v</sub>		
				Tot.		P <sub>f</sub>	P <sub>n</sub>		
	q			Lgth.		P <sub>t</sub>	P <sub>t</sub>		
	Q			Fg.		P <sub>e</sub>	P <sub>v</sub>		
				Tot.		P <sub>f</sub>	P <sub>n</sub>		
	q			Lgth.		P <sub>t</sub>	P <sub>t</sub>		
	Q			Fg.		P <sub>e</sub>	P <sub>v</sub>		
				Tot.		P <sub>f</sub>	P <sub>n</sub>		

Note: The velocity pressure P<sub>v</sub> is determined by trial. It is necessary to estimate the flow Q in the pipe on the upstream side of the nozzle to determine a trial P<sub>v</sub>, which is used to determine a trial q, and a trial Q. After determining the trial Q, use this value to determine a new P<sub>v</sub>. If the new P<sub>v</sub> is approximately equal to the trial P<sub>v</sub>, consider the trial Q to be the actual Q and proceed with the calculations. If the P<sub>v</sub> does not check with the trial P<sub>v</sub>, estimate Q again and proceed with successive corrections until an actual P<sub>v</sub> is obtained that checks with a trial P<sub>v</sub>.

FIGURE B.2(e) Continued

**HYDRAULIC CALCULATIONS**

For System Shown on Fig. B.2(a)  
All Nozzles Type N 90  
(Nozzle Discharge Constant 9.0)

Sheet No. 1 of 2  
 By J. E. C.  
 Date 12 - 5 - 05  
 Job No. 1571

Nozzle Ident. & Location	Flow in L/min	Pipe Size (mm)	Pipe Fittings & Devices (m)	Equiv. Pipe Length (m)	Friction Loss (bar/m)	Pressure Summary (m)	Normal Pressure (bar)	Notes
1-N90 ①	q 152	25	E = 0.6	Lgth. 0.2	0.11	P <sub>t</sub> 1.38	P <sub>t</sub> _____	q <sub>1</sub> = 129.6√1.38 = 152
	Q 152			Ftg. 0.6		P <sub>e</sub> -	P <sub>v</sub> _____	
				Tot. 0.8		P <sub>f</sub> 0.08	P <sub>n</sub> _____	
②	q -	25	2E = 1.2	Lgth. 1.8	0.11	P <sub>t</sub> 1.46	P <sub>t</sub> _____	
	Q 152			Ftg. 1.2		P <sub>e</sub> -	P <sub>v</sub> _____	
				Tot. 3.0		P <sub>f</sub> 0.33	P <sub>n</sub> _____	
1-N90 ③	q 154	32	E = 0.9	Lgth. 1.8	0.10	P <sub>t</sub> 1.79	P <sub>t</sub> 1.79	q <sub>3</sub> = 119.5√1.65 = 154 For K <sub>3</sub> Calc, see ◊.
	Q 306			Ftg. 0.9		P <sub>e</sub> -	P <sub>v</sub> 0.14	
				Tot. 2.7		P <sub>f</sub> 0.28	P <sub>n</sub> 1.65	
1-N90 ④	q 165	40	T = 2.4	Lgth. 0.6	0.11	P <sub>t</sub> 2.07	P <sub>t</sub> 2.07	q <sub>4</sub> = 119.5√1.89 = 165
	Q 471			Ftg. 2.4		P <sub>e</sub> -	P <sub>v</sub> 0.18	
				Tot. 3.0		P <sub>f</sub> 0.33	P <sub>n</sub> 1.89	
3-N90 ⑤	q 471	50	E = 1.5	Lgth. 1.5	0.11	P <sub>t</sub> 2.40	P <sub>t</sub> _____	
	Q 941			Ftg. 1.5		P <sub>e</sub> 0.03	P <sub>v</sub> _____	
				Tot. 3.0		P <sub>f</sub> 0.34	P <sub>n</sub> _____	
4-N90 ⑥	q 681	65		Lgth. 1.2	0.13	P <sub>t</sub> 2.77	P <sub>t</sub> 2.77	q <sub>6</sub> = 437√2.39 = 681
	Q 1622			Ftg. -		P <sub>e</sub> -	P <sub>v</sub> 0.38	
				Tot. 1.2		P <sub>f</sub> 0.16	P <sub>n</sub> 2.39	
4-N90 ⑦	q 712	80	E = 2.1	Lgth. 1.5	0.09	P <sub>t</sub> 2.93	P <sub>t</sub> 2.93	q <sub>7</sub> = 437√2.61 = 712
	Q 2334			Ftg. 2.1		P <sub>e</sub> -	P <sub>v</sub> 0.32	
				Tot. 3.6		P <sub>f</sub> 0.33	P <sub>n</sub> 2.61	
⑧	q -	80		Lgth. 3.0	0.09	P <sub>t</sub> 3.26	P <sub>t</sub> _____	
	Q 2334			Ftg. -		P <sub>e</sub> 0.30	P <sub>v</sub> _____	
				Tot. 3.0		P <sub>f</sub> 0.27	P <sub>n</sub> _____	
14-N90 ⑨	q 2442	150	2E = 8.6 Del V. = 3.0 G.V. = 0.9	Lgth. 5.8	0.01	P <sub>t</sub> 3.83	P <sub>t</sub> 3.83	q <sub>9</sub> = 1250√3.75 = 2422
	Q 4756			Ftg. 12.5		P <sub>e</sub> 0.28	P <sub>v</sub> 0.08	
				Tot. 18.3		P <sub>f</sub> 0.23	P <sub>n</sub> 3.75	
⑩	q -			Lgth. _____		P <sub>t</sub> 4.34	P <sub>t</sub> _____	
	Q 4756			Ftg. _____		P <sub>e</sub> _____	P <sub>v</sub> _____	
				Tot. _____		P <sub>f</sub> _____	P <sub>n</sub> _____	
	q _____			Lgth. _____		P <sub>t</sub> _____	P <sub>t</sub> _____	
	Q _____			Ftg. _____		P <sub>e</sub> _____	P <sub>v</sub> _____	
				Tot. _____		P <sub>f</sub> _____	P <sub>n</sub> _____	
	q _____			Lgth. _____		P <sub>t</sub> _____	P <sub>t</sub> _____	
	Q _____			Ftg. _____		P <sub>e</sub> _____	P <sub>v</sub> _____	
				Tot. _____		P <sub>f</sub> _____	P <sub>n</sub> _____	
	q _____			Lgth. _____		P <sub>t</sub> _____	P <sub>t</sub> _____	
	Q _____			Ftg. _____		P <sub>e</sub> _____	P <sub>v</sub> _____	
				Tot. _____		P <sub>f</sub> _____	P <sub>n</sub> _____	
	q _____			Lgth. _____		P <sub>t</sub> _____	P <sub>t</sub> _____	
	Q _____			Ftg. _____		P <sub>e</sub> _____	P <sub>v</sub> _____	
				Tot. _____		P <sub>f</sub> _____	P <sub>n</sub> _____	

**FIGURE B.2(f)** Calculation of System Shown in Figure B.2(a) with Velocity Pressure Included, SI Units. Nozzle constant =  $K_m = 129.6$ .

**HYDRAULIC CALCULATIONS**

For System Shown on Fig. B.2(a)  
All Nozzles Type N 90  
(Nozzle Discharge Constant 3.0)

Sheet No. 2 of 2  
 By J. E. C.  
 Date 12 - 5 - 05  
 Job No. 1571

Nozzle Ident. & Location	Flow in L/min	Pipe Size (mm)	Pipe Fittings & Devices (m)	Equiv. Pipe Length (m)	Friction Loss (bar/m)	Pressure Summary (bar)	Normal Pressure (bar)	Notes
1-N90 ①	q 152	25	E=0.6	Lgth. 0.2	0.11	P <sub>t</sub> 1.38	P <sub>t</sub>	$K_3 = \frac{152}{\sqrt{1.62}} = 119.5$
	Q 152		T=1.5	Ftg. 2.1 Tot. 2.3		P <sub>e</sub> - P <sub>f</sub> 0.24	P <sub>v</sub> P <sub>n</sub>	
	q			Lgth.		P <sub>t</sub> 1.62	P <sub>t</sub>	
	Q			Ftg. Tot.		P <sub>e</sub> P <sub>f</sub>	P <sub>v</sub> P <sub>n</sub>	
2	q			Lgth.		P <sub>t</sub>	P <sub>t</sub>	
	Q			Ftg. Tot.		P <sub>e</sub> P <sub>f</sub>	P <sub>v</sub> P <sub>n</sub>	
1-N90 ④	q 152	25		Lgth. 0.9	0.11	P <sub>t</sub> 1.38	P <sub>t</sub>	
	Q 152			Ftg. - Tot. 0.9		P <sub>e</sub> - P <sub>f</sub> 0.10	P <sub>v</sub> P <sub>n</sub>	
3-N90 ⑤	q 150	32	T=1.8	Lgth. 0.5	0.10	P <sub>t</sub> 1.48	P <sub>t</sub> 1.48	
	Q 302			Ftg. 1.8 Tot. 2.3		P <sub>e</sub> - P <sub>f</sub> 0.23	P <sub>v</sub> 0.14 P <sub>n</sub> 1.34	
2-N90 ⑥	q 302	50	T=3.0	Lgth. 0.3	0.05	P <sub>t</sub> 1.71	P <sub>t</sub>	$K_6 = \frac{604}{\sqrt{1.91}} = 437$
	Q 604			Ftg. 3.0 Tot. 3.3		P <sub>e</sub> 0.03 P <sub>f</sub> 0.17	P <sub>v</sub> P <sub>n</sub>	
Lower Pipe Level ⑦	q			Lgth.		P <sub>t</sub> 1.91	P <sub>t</sub>	
	Q			Ftg. Tot.		P <sub>e</sub> P <sub>f</sub>	P <sub>v</sub> P <sub>n</sub>	
14-N90 ⑧	q	80	T=4.6	Lgth. 1.5	0.09	P <sub>t</sub> 2.93	P <sub>t</sub>	$K_9 = \frac{2334}{\sqrt{3.48}} = 1250$
	Q 2334			Ftg. 4.6 Tot. 6.1		P <sub>e</sub> 0.55 P <sub>f</sub> 3.48	P <sub>v</sub> P <sub>n</sub>	
	q			Lgth.		P <sub>t</sub>	P <sub>t</sub>	
	Q			Ftg. Tot.		P <sub>e</sub> P <sub>f</sub>	P <sub>v</sub> P <sub>n</sub>	
	q			Lgth.		P <sub>t</sub>	P <sub>t</sub>	
	Q			Ftg. Tot.		P <sub>e</sub> P <sub>f</sub>	P <sub>v</sub> P <sub>n</sub>	
	q			Lgth.		P <sub>t</sub>	P <sub>t</sub>	
	Q			Ftg. Tot.		P <sub>e</sub> P <sub>f</sub>	P <sub>v</sub> P <sub>n</sub>	
	q			Lgth.		P <sub>t</sub>	P <sub>t</sub>	
	Q			Ftg. Tot.		P <sub>e</sub> P <sub>f</sub>	P <sub>v</sub> P <sub>n</sub>	
	q			Lgth.		P <sub>t</sub>	P <sub>t</sub>	
	Q			Ftg. Tot.		P <sub>e</sub> P <sub>f</sub>	P <sub>v</sub> P <sub>n</sub>	
	q			Lgth.		P <sub>t</sub>	P <sub>t</sub>	
	Q			Ftg. Tot.		P <sub>e</sub> P <sub>f</sub>	P <sub>v</sub> P <sub>n</sub>	
	q			Lgth.		P <sub>t</sub>	P <sub>t</sub>	
	Q			Ftg. Tot.		P <sub>e</sub> P <sub>f</sub>	P <sub>v</sub> P <sub>n</sub>	
	q			Lgth.		P <sub>t</sub>	P <sub>t</sub>	
	Q			Ftg. Tot.		P <sub>e</sub> P <sub>f</sub>	P <sub>v</sub> P <sub>n</sub>	
	q			Lgth.		P <sub>t</sub>	P <sub>t</sub>	
	Q			Ftg. Tot.		P <sub>e</sub> P <sub>f</sub>	P <sub>v</sub> P <sub>n</sub>	

Note: The velocity pressure P<sub>v</sub> is determined by trial. It is necessary to estimate the flow Q in the pipe on the upstream side of the nozzle to determine a trial P<sub>v</sub>, which is used to determine a trial q, and a trial Q. After determining the trial Q, use this value to determine a new P<sub>v</sub>. If the new P<sub>v</sub> is approximately equal to the trial P<sub>v</sub>, consider the trial Q to be the actual Q and proceed with the calculations. If the P<sub>v</sub> does not check with the trial P<sub>v</sub>, estimate Q again and proceed with successive corrections until an actual P<sub>v</sub> is obtained that checks with a trial P<sub>v</sub>.

FIGURE B.2(f) Continued

**HYDRAULIC CALCULATIONS**

For System Shown on Fig. B.2(a)  
All Nozzles Type N-30  
(Nozzle Discharge Constant 3.0)

Sheet No. 1 of 2  
 By J. E. C.  
 Date 12 - 5 - 05  
 Job No. 1572

Nozzle Ident. & Location	Flow in gpm	Pipe Size (in.)	Pipe Fittings & Devices (ft)	Equiv. Pipe Length (ft)	Friction Loss (psi/ft)	Pressure Summary (psi)	Normal Pressure (psi)	Nozzle Elev.	Notes
1-N30 ①	q 13.4 Q 13.4	1	1E = 2.0	Lgth. 0.5 Ftg. 2.0 Tot. 2.5	0.06	P <sub>t</sub> 20.1 P <sub>e</sub> - P <sub>f</sub> 0.2	P <sub>t</sub> P <sub>v</sub> P <sub>n</sub>	20.0'	q <sub>1</sub> = 3.0√20.1 = 13.4
②	q - Q 13.4	1	2E = 4.0	Lgth. 6.0 Ftg. 4.0 Tot. 10.0	0.06	P <sub>t</sub> 20.3 P <sub>e</sub> - P <sub>f</sub> 0.6	P <sub>t</sub> P <sub>v</sub> P <sub>n</sub>		
1-N30 ③	q 13.5 Q 26.9	1 1/4	1E = 3.0	Lgth. 6.0 Ftg. 3.0 Tot. 9.0	0.06	P <sub>t</sub> 20.9 P <sub>e</sub> - P <sub>f</sub> 0.5	P <sub>t</sub> P <sub>v</sub> P <sub>n</sub>		q <sub>3</sub> = 2.95√20.9 = 13.5 For K <sub>3</sub> Calcs, see ①.
1-N90 ④	q 19.6 Q 40.5	1 1/2	1T = 8.0	Lgth. 2.0 Ftg. 8.0 Tot. 10.0	0.06	P <sub>t</sub> 21.4 P <sub>e</sub> - P <sub>f</sub> 0.6	P <sub>t</sub> P <sub>v</sub> P <sub>n</sub>		q <sub>4</sub> = 2.95√21.4 = 13.6
3-N30 ⑤	q 40.5 Q 81.0	2	1E = 5.0	Lgth. 5.0 Ftg. 5.0 Tot. 10.0	0.06	P <sub>t</sub> 22.0 P <sub>e</sub> 0.4 P <sub>f</sub> 0.6	P <sub>t</sub> P <sub>v</sub> P <sub>n</sub>		
4-N30 ⑥	q 56.1 Q 137.1	2 1/2		Lgth. 4.0 Ftg. - Tot. 4.0	0.07	P <sub>t</sub> 23.0 P <sub>e</sub> - P <sub>f</sub> 0.3	P <sub>t</sub> P <sub>v</sub> P <sub>n</sub>	19.0'	q <sub>6</sub> = 11.7√23.0 = 36.1 For K <sub>6</sub> Calcs, see ②.
4-N30 ⑦	q 56.5 Q 193.6	3	1E = 7.0	Lgth. 5.0 Ftg. 7.0 Tot. 12.0	0.05	P <sub>t</sub> 23.3 P <sub>e</sub> - P <sub>f</sub> 0.6	P <sub>t</sub> P <sub>v</sub> P <sub>n</sub>		q <sub>7</sub> = 11.7√23.3 = 56.5
⑧	q - Q 193.6	3		Lgth. 10.0 Ftg. - Tot. 10.0	0.05	P <sub>t</sub> 23.9 P <sub>e</sub> 4.3 P <sub>f</sub> 0.5	P <sub>t</sub> P <sub>v</sub> P <sub>n</sub>		
14-N30 ⑨	q 211.0 Q 404.6	6	2E = 28.0 Del V. = 10.0 G.V. = 3.0	Lgth. 19.0 Ftg. 41.0 Tot. 60.0	0.007	P <sub>t</sub> 28.7 P <sub>e</sub> 4.1 P <sub>f</sub> 0.4	P <sub>t</sub> P <sub>v</sub> P <sub>n</sub>	9.0'	q <sub>9</sub> = 39.3√28.7 = 211 For K <sub>9</sub> Calcs, see ②.
⑩	q - Q 404.6	✓		Lgth. - Ftg. - Tot. -		P <sub>t</sub> 33.3 ✓ P <sub>e</sub> - P <sub>f</sub> -	P <sub>t</sub> P <sub>v</sub> P <sub>n</sub>	0.5'	
	q - Q -			Lgth. - Ftg. - Tot. -		P <sub>t</sub> - P <sub>e</sub> - P <sub>f</sub> -	P <sub>t</sub> P <sub>v</sub> P <sub>n</sub>		Note: See Fig. B.2(c) for water supply information.
	q 250 Q -			Lgth. - Ftg. - Tot. -		P <sub>t</sub> - P <sub>e</sub> - P <sub>f</sub> -	P <sub>t</sub> P <sub>v</sub> P <sub>n</sub>		hose
	q - Q -			Lgth. - Ftg. - Tot. -		P <sub>t</sub> - P <sub>e</sub> - P <sub>f</sub> -	P <sub>t</sub> P <sub>v</sub> P <sub>n</sub>		
	q - Q -			Lgth. - Ftg. - Tot. -		P <sub>t</sub> - P <sub>e</sub> - P <sub>f</sub> -	P <sub>t</sub> P <sub>v</sub> P <sub>n</sub>		
	q - Q 654.6			Lgth. - Ftg. - Tot. -		P <sub>t</sub> - P <sub>e</sub> - P <sub>f</sub> -	P <sub>t</sub> P <sub>v</sub> P <sub>n</sub>		

**FIGURE B.2(g) Calculation of System Shown in Figure B.2(a) with Velocity Pressure Not Included, US Units.**

**HYDRAULIC CALCULATIONS**

For System Shown on Fig. B.2(a)  
All Nozzles Type N-30  
(Nozzle Discharge Constant 3.0)

Sheet No. 2 of 2  
 By J. E. C.  
 Date 12 - 5 - 05  
 Job No. 1572

Nozzle Ident. & Location	Flow in gpm	Pipe Size (in.)	Pipe Fittings & Devices (ft)	Equiv. Pipe Length (ft)	Friction Loss (psi/ft)	Pressure Summary (psi)	Normal Pressure (psi)	Nozzle Elev.	Notes
1-N30 ①	q 13.4	1	1E=2.0	Lgth. 0.5	0.06	P <sub>t</sub> 20.1	P <sub>t</sub>		K <sub>s</sub> = $\frac{13.4}{\sqrt{20.6}} = 2.95$
	Q 13.4		1T=5.0	Ftg. 7.0		P <sub>e</sub> -	P <sub>v</sub>		
				Tot. 7.5		P <sub>f</sub> 0.5	P <sub>n</sub>		
	q			Lgth.		P <sub>t</sub> 20.6	P <sub>t</sub>		
	Q			Ftg.		P <sub>e</sub>	P <sub>v</sub>		
				Tot.		P <sub>f</sub>	P <sub>n</sub>		
②	q			Lgth.		P <sub>t</sub>	P <sub>t</sub>		
	Q			Ftg.		P <sub>e</sub>	P <sub>v</sub>		
				Tot.		P <sub>f</sub>	P <sub>n</sub>		
1-N30 ③	q 13.4	1		Lgth. 3.0	0.06	P <sub>t</sub> 20.1	P <sub>t</sub>		
	Q 13.4			Ftg. -		P <sub>e</sub> -	P <sub>v</sub>		
				Tot. 3.0		P <sub>f</sub> 0.2	P <sub>n</sub>		
1-N30 ④	q 13.5	1 1/4	T=6.0	Lgth. 1.5	0.06	P <sub>t</sub> 20.3	P <sub>t</sub>		
	Q 26.9			Ftg. 6.0		P <sub>e</sub>	P <sub>v</sub>		
				Tot. 7.5		P <sub>f</sub> 0.5	P <sub>n</sub>		
2-N30 ⑤	q 26.9	2	T=10.0	Lgth. 1.0	0.03	P <sub>t</sub> 20.8	P <sub>t</sub>		K <sub>e</sub> = $\frac{53.8}{\sqrt{21.5}} = 11.7$
	Q 53.8			Ftg. 10.0		P <sub>e</sub> 0.4	P <sub>v</sub>		
				Tot. 11.0		P <sub>f</sub> 0.3	P <sub>n</sub>		
	q			Lgth.		P <sub>t</sub> 21.5	P <sub>t</sub>		
	Q			Ftg.		P <sub>e</sub>	P <sub>v</sub>		
				Tot.		P <sub>f</sub>	P <sub>n</sub>		
Lower Pipe Level ⑥	q			Lgth.		P <sub>t</sub>	P <sub>t</sub>		
	Q			Ftg.		P <sub>e</sub>	P <sub>v</sub>		
				Tot.		P <sub>f</sub>	P <sub>n</sub>		
14-N30	q	3	T=15.0	Lgth. 5.0	0.05	P <sub>t</sub> 23.3	P <sub>t</sub>		K <sub>e</sub> = $\frac{193.6}{\sqrt{24.3}} = 39.3$
	Q 193.6			Ftg. 15.0		P <sub>e</sub> -	P <sub>v</sub>		
				Tot. 20.0		P <sub>f</sub> 1.0	P <sub>n</sub>		
	q			Lgth.		P <sub>t</sub> 24.3	P <sub>t</sub>		
	Q			Ftg.		P <sub>e</sub>	P <sub>v</sub>		
				Tot.		P <sub>f</sub>	P <sub>n</sub>		
	q			Lgth.		P <sub>t</sub>	P <sub>t</sub>		
	Q			Ftg.		P <sub>e</sub>	P <sub>v</sub>		
				Tot.		P <sub>f</sub>	P <sub>n</sub>		
	q			Lgth.		P <sub>t</sub>	P <sub>t</sub>		
	Q			Ftg.		P <sub>e</sub>	P <sub>v</sub>		
				Tot.		P <sub>f</sub>	P <sub>n</sub>		
	q			Lgth.		P <sub>t</sub>	P <sub>t</sub>		
	Q			Ftg.		P <sub>e</sub>	P <sub>v</sub>		
				Tot.		P <sub>f</sub>	P <sub>n</sub>		
	q			Lgth.		P <sub>t</sub>	P <sub>t</sub>		
	Q			Ftg.		P <sub>e</sub>	P <sub>v</sub>		
				Tot.		P <sub>f</sub>	P <sub>n</sub>		

Note: The flow from nozzles can be obtained from discharge curves rather than individual calculations at the preference of the calculator. Similarly, flow characteristics of lines or sections of systems can be obtained by plotting results on charts made up to n<sup>1.85</sup> or n<sup>2</sup> rather than by calculating constants (K-values).

FIGURE B.2(g) Continued



**HYDRAULIC CALCULATIONS**

For System Shown on Fig. B.2(a)  
All Nozzles Type N-30  
(Nozzle Discharge Constant 3.0)

Sheet No. 1 of 2  
 By J. E. C.  
 Date 12 - 5 - 05  
 Job No. 1572

Nozzle Ident. & Location	Flow in L/min	Pipe Size (mm)	Pipe Fittings & Devices (m)	Equiv. Pipe Length (m)	Friction Loss (bar/m)	Pressure Summary (bar)	Normal Pressure (bar)	Notes
1-N30 ①	q 50.7 Q 50.7	25	1E = 0.6	Lgth. 0.2 Ftg. 0.6 Tot. 0.8	0.014	P <sub>t</sub> 1.39 P <sub>e</sub> - P <sub>f</sub> 0.01	P <sub>t</sub> - P <sub>v</sub> - P <sub>n</sub> -	q <sub>1</sub> = 43.2√1.39 = 50.7
②	q - Q 50.7	25	2E = 1.2	Lgth. 1.8 Ftg. 1.2 Tot. 3.0	0.014	P <sub>t</sub> 1.40 P <sub>e</sub> - P <sub>f</sub> 0.04	P <sub>t</sub> - P <sub>v</sub> - P <sub>n</sub> -	
1-N30 ③	q 51.1 Q 101.8	32	1E = 0.9	Lgth. 1.8 Ftg. 0.9 Tot. 2.7	0.014	P <sub>t</sub> 1.44 P <sub>e</sub> - P <sub>f</sub> 0.04	P <sub>t</sub> - P <sub>v</sub> - P <sub>n</sub> -	q <sub>3</sub> = 42.5√1.44 = 51.1 For K <sub>3</sub> Calc, see ①.
1-N30 ④	q 51.5 Q 153.3	40	1T = 2.4	Lgth. 0.6 Ftg. 2.4 Tot. 3.0	0.014	P <sub>t</sub> 1.48 P <sub>e</sub> - P <sub>f</sub> 0.04	P <sub>t</sub> - P <sub>v</sub> - P <sub>n</sub> -	q <sub>4</sub> = 42.5√1.48 = 51.5
3-N30 ⑤	q 153.3 Q 306.6	50	1E = 1.5	Lgth. 1.5 Ftg. 1.5 Tot. 3.0	0.014	P <sub>t</sub> 1.52 P <sub>e</sub> 0.03 P <sub>f</sub> 0.04	P <sub>t</sub> - P <sub>v</sub> - P <sub>n</sub> -	
4-N30 ⑥	q 212.3 Q 518.9	65		Lgth. 1.2 Ftg. - Tot. 1.2	0.016	P <sub>t</sub> 1.59 P <sub>e</sub> - P <sub>f</sub> 0.02	P <sub>t</sub> - P <sub>v</sub> - P <sub>n</sub> -	q <sub>6</sub> = 168√1.59 = 212.3 For K <sub>6</sub> Calc, see ②.
4-N30 ⑦	q 213.9 Q 732.8	80	1E = 2.1	Lgth. 1.5 Ftg. 2.1 Tot. 3.6	0.011	P <sub>t</sub> 1.61 P <sub>e</sub> - P <sub>f</sub> 0.04	P <sub>t</sub> - P <sub>v</sub> - P <sub>n</sub> -	q <sub>7</sub> = 168√1.61 = 213.9
⑧	q - Q 732.8	80		Lgth. 3.0 Ftg. - Tot. 3.0	0.011	P <sub>t</sub> 1.65 P <sub>e</sub> 0.30 P <sub>f</sub> 0.03	P <sub>t</sub> - P <sub>v</sub> - P <sub>n</sub> -	
14-N30 ⑨	q 798.6 Q 1531.4	150		Lgth. - Ftg. - Tot. -	0.002	P <sub>t</sub> 1.98 P <sub>e</sub> 0.28 P <sub>f</sub> 0.03	P <sub>t</sub> - P <sub>v</sub> - P <sub>n</sub> -	q <sub>9</sub> = 566√1.98 = 798.6 For K <sub>9</sub> Calc, see ③.
⑩	q - Q 1531.4		2E = 8.6 Del. V = 3.0 GV = 0.9	Lgth. 5.8 Ftg. 12.5 Tot. 18.3		P <sub>t</sub> 2.29 P <sub>e</sub> - P <sub>f</sub> -	P <sub>t</sub> - P <sub>v</sub> - P <sub>n</sub> -	
⑩	q - Q -			Lgth. - Ftg. - Tot. -		P <sub>t</sub> - P <sub>e</sub> - P <sub>f</sub> -	P <sub>t</sub> - P <sub>v</sub> - P <sub>n</sub> -	Note: See Fig. B.2(c) for water supply information.
	q - Q -			Lgth. - Ftg. - Tot. -		P <sub>t</sub> - P <sub>e</sub> - P <sub>f</sub> -	P <sub>t</sub> - P <sub>v</sub> - P <sub>n</sub> -	
	q - Q -			Lgth. - Ftg. - Tot. -		P <sub>t</sub> - P <sub>e</sub> - P <sub>f</sub> -	P <sub>t</sub> - P <sub>v</sub> - P <sub>n</sub> -	
	q - Q -			Lgth. - Ftg. - Tot. -		P <sub>t</sub> - P <sub>e</sub> - P <sub>f</sub> -	P <sub>t</sub> - P <sub>v</sub> - P <sub>n</sub> -	
	q - Q -			Lgth. - Ftg. - Tot. -		P <sub>t</sub> - P <sub>e</sub> - P <sub>f</sub> -	P <sub>t</sub> - P <sub>v</sub> - P <sub>n</sub> -	
	q - Q -			Lgth. - Ftg. - Tot. -		P <sub>t</sub> - P <sub>e</sub> - P <sub>f</sub> -	P <sub>t</sub> - P <sub>v</sub> - P <sub>n</sub> -	

FIGURE B.2(h) Calculation of System Shown in Figure B.2(a) with Velocity Pressure Not Included, SI Units. K<sub>m</sub> = 43.2.

**HYDRAULIC CALCULATIONS**

For System Shown on Fig. B.2(a)  
All Nozzles Type N-30  
(Nozzle Discharge Constant 3.0)

Sheet No. 2 of 2  
 By J. E. C.  
 Date 12 - 5 - 05  
 Job No. 1572

Nozzle Ident. & Location	Flow in L/min	Pipe Size (mm)	Pipe Fittings & Devices (m)	Equiv. Pipe Length (m)	Friction Loss (bar/m)	Pressure Summary (bar)	Normal Pressure (bar)	Notes
1-N30 ①	q 50.7	25	1E=0.6	Lgth. 0.2	0.014	P <sub>t</sub> 1.39	P <sub>t</sub>	$K_3 = \frac{50.7}{\sqrt{1.42}} = 42.5$
	Q 50.7		1T=1.5	Ftg. 2.1		P <sub>e</sub> -	P <sub>v</sub>	
			Tot. 2.3	P <sub>f</sub> 0.03		P <sub>n</sub>		
	q			Lgth.		P <sub>t</sub>	P <sub>t</sub>	
	Q			Ftg.		P <sub>e</sub>	P <sub>v</sub>	
				Tot.		P <sub>f</sub>	P <sub>n</sub>	
②	q			Lgth.		P <sub>t</sub>	P <sub>t</sub>	
	Q			Ftg.		P <sub>e</sub>	P <sub>v</sub>	
				Tot.		P <sub>f</sub>	P <sub>n</sub>	
1-N30 ③	q 50.7	25		Lgth. 0.9	0.014	P <sub>t</sub> 1.39	P <sub>t</sub>	
	Q 50.7			Ftg. -		P <sub>e</sub> -	P <sub>v</sub>	
				Tot. 0.9		P <sub>f</sub> 0.01	P <sub>n</sub>	
1-N30 ④	q 51.1	32	1T=1.8	Lgth. 0.5	0.014	P <sub>t</sub> 1.40	P <sub>t</sub>	
	Q 101.8			Ftg. 1.8		P <sub>e</sub> -	P <sub>v</sub>	
				Tot. 2.13		P <sub>f</sub> 0.03	P <sub>n</sub>	
2-N30 ⑤	q 101.8	50	1T=3.0	Lgth. 0.3	0.007	P <sub>t</sub> 1.43	P <sub>t</sub>	$K_6 = \frac{203.6}{\sqrt{1.47}} = 168$
	Q 203.6			Ftg. 3.0		P <sub>e</sub> 0.02	P <sub>v</sub>	
				Tot. 3.3		P <sub>f</sub> 0.02	P <sub>n</sub>	
	q			Lgth.		P <sub>t</sub>	P <sub>t</sub>	
	Q			Ftg.		P <sub>e</sub>	P <sub>v</sub>	
				Tot.		P <sub>f</sub>	P <sub>n</sub>	
Lower Pipe Level ⑥	q			Lgth.		P <sub>t</sub>	P <sub>t</sub>	
	Q			Ftg.		P <sub>e</sub>	P <sub>v</sub>	
				Tot.		P <sub>f</sub>	P <sub>n</sub>	
14-N30	q	80	1T=4.6	Lgth. 1.5	0.011	P <sub>t</sub> 1.61	P <sub>t</sub>	$K_9 = \frac{732.8}{\sqrt{1.68}} = 566$
	Q 732.8			Ftg. 4.6		P <sub>e</sub>	P <sub>v</sub>	
				Tot. 6.1		P <sub>f</sub> 0.07	P <sub>n</sub>	
	q			Lgth.		P <sub>t</sub>	P <sub>t</sub>	
	Q			Ftg.		P <sub>e</sub>	P <sub>v</sub>	
				Tot.		P <sub>f</sub>	P <sub>n</sub>	
	q			Lgth.		P <sub>t</sub>	P <sub>t</sub>	
	Q			Ftg.		P <sub>e</sub>	P <sub>v</sub>	
				Tot.		P <sub>f</sub>	P <sub>n</sub>	
	q			Lgth.		P <sub>t</sub>	P <sub>t</sub>	
	Q			Ftg.		P <sub>e</sub>	P <sub>v</sub>	
				Tot.		P <sub>f</sub>	P <sub>n</sub>	
	q			Lgth.		P <sub>t</sub>	P <sub>t</sub>	
	Q			Ftg.		P <sub>e</sub>	P <sub>v</sub>	
				Tot.		P <sub>f</sub>	P <sub>n</sub>	
	q			Lgth.		P <sub>t</sub>	P <sub>t</sub>	
	Q			Ftg.		P <sub>e</sub>	P <sub>v</sub>	
				Tot.		P <sub>f</sub>	P <sub>n</sub>	
	q			Lgth.		P <sub>t</sub>	P <sub>t</sub>	
	Q			Ftg.		P <sub>e</sub>	P <sub>v</sub>	
				Tot.		P <sub>f</sub>	P <sub>n</sub>	

Note: The flow from nozzles can be obtained from discharge curves rather than individual calculations at the preference of the calculator. Similarly, flow characteristics of lines or sections of systems can be obtained by plotting results on charts made up to  $n^{1.85}$  or  $n^2$  rather than by calculating constants (K-values).

FIGURE B.2(h) Continued

### HYDRAULIC CALCULATION WORKSHEET

For all nozzles shown,  $k = 5.56$ ; each nozzle covers  $100.8 \text{ ft}^2$  at  $0.25 \text{ gpm/ft}^2 = 25.2 \text{ gpm}$  minimum

Nozzle Ident. & Location	Flow in gpm	Pipe Size (in.)	Pipe Fittings & Devices (ft)	Equiv. Pipe Length (ft)	Friction Loss (psi/ft)	Pressure Summary (psi)	Normal Pressure (psi)	Notes
1	$q$	1	1E	Lgth. 10.5	0.200	$P_t$ 20.5	$P_t$	$C = 120$ $P_t = (25.2/5.56)^2$ $= 20.5 \text{ psi}$
	$Q$ 25.2			Fig. 2.0		$P_e$ +0.2	$P_v$	
				Tot. 12.5		$P_f$ 2.5	$P_n$	
	$q$			Lgth.		$P_t$ 23.2	$P_t$	at A
	$Q$			Fig.		$P_e$	$P_v$	
				Tot.		$P_f$	$P_n$	
2	$q$	1	1T	Lgth. 0.5	0.200	$P_t$ 20.5	$P_t$	$K = 25.2/\sqrt{21.7}$ $= 5.41$
	$Q$ 25.2			Fig. 5.0		$P_e$ +0.2	$P_v$	
				Tot. 5.5		$P_f$ 1.1	$P_n$	
	$q$			Lgth.		$P_t$ 21.7	$P_t$	
	$Q$			Fig.		$P_e$	$P_v$	
				Tot.		$P_f$	$P_n$	
A	$q$ 26.1	1 1/2	1E	Lgth. 7.0	0.092	$P_t$ 23.2	$P_t$	$q_2 = 5.41/\sqrt{23.2}$ $P_v < 5\% \text{ of } P_t$ , no correction required.
	$Q$ 51.3			Fig. 12.0		$P_e$ -	$P_v$ 0.4	
				Tot. 19.0		$P_f$ 1.7	$P_n$	
	$q$			Lgth.		$P_t$ 24.9	$P_t$	
	$Q$			Fig.		$P_e$ -	$P_v$	
				Tot.		$P_f$ 3.3	$P_n$	
B	$q$ 51.3	1 1/2	1T	Lgth. 2.0	0.333	$P_t$ 24.9	$P_t$	at C
	$Q$ 102.6			Fig. 8.0		$P_e$ -	$P_v$	
				Tot. 10.0		$P_f$ 3.3	$P_n$	
	$q$			Lgth.		$P_t$ 28.2	$P_t$	
	$Q$			Fig.		$P_e$	$P_v$	
				Tot.		$P_f$	$P_n$	
E	$q$	1 1/2		Lgth. 22.0	0.335	$P_t$ 28.5	$P_t$	
	$Q$ 103.0			Fig. 22.0		$P_e$ -6.5	$P_v$	
				Tot. 22.0		$P_f$ 7.4	$P_n$	
	$q$			Lgth.		$P_t$ 29.4	$P_t$ 29.4	$q = 50.5(25.5/25.4)^{1/2}$ $P_v$ into "D" from the side assumed negligible
	$Q$			Fig. -	$P_e$ -0.4	$P_v$ 3.9		
				Tot. 1.0	$P_f$ 0.7	$P_n$ 25.5		
C	$q$ 185.7	1 1/2	1T	Lgth. 18.0	2.250	$P_t$ 43.4	$P_t$ 43.4	$q$ from D = $153.6(43.4/29.7)^{1/2}$ $= 185.7$ (see text)
	$Q$ 288.3			Fig. 12.0		$P_e$ -1.7	$P_v$ 15.2	
				Tot. 30.0		$P_f$ 67.5	$P_n$ 28.2	
	$q$			Lgth.		$P_t$ 109.2	$P_t$	$q = 381.6(109.2/64.4)^{1/2}$ $P_v < 5\% \text{ of } P_t$ , no correction required
	$Q$			Fig.	$P_e$ +5.2	$P_v$ ~2.9		
				Tot. 35.0	$P_f$ 5.8	$P_n$		
F	$q$ 496.9	4	1E	Lgth. 25.0	0.165	$P_t$ 109.2	$P_t$	at G
	$Q$ 785.2			Fig. 10.0		$P_e$ +5.2	$P_v$ ~2.9	
				Tot. 35.0		$P_f$ 5.8	$P_n$	
	$q$			Lgth.		$P_t$ 120.2	$P_t$	
	$Q$			Fig.		$P_e$	$P_v$	
				Tot.		$P_f$	$P_n$	
	$q$			Lgth.		$P_t$	$P_t$	
	$Q$			Fig.		$P_e$	$P_v$	
				Tot.		$P_f$	$P_n$	
	$q$			Lgth.		$P_t$	$P_t$	
	$Q$			Fig.		$P_e$	$P_v$	
				Tot.		$P_f$	$P_n$	
	$q$			Lgth.		$P_t$	$P_t$	
	$Q$			Fig.		$P_e$	$P_v$	
				Tot.		$P_f$	$P_n$	
	$q$			Lgth.		$P_t$	$P_t$	
	$Q$			Fig.		$P_e$	$P_v$	
				Tot.		$P_f$	$P_n$	

**FIGURE B.2(i) Calculation of System Shown in Figure B.2(b) with Velocity Pressure Included, US Units.**

### HYDRAULIC CALCULATION WORKSHEET

For all nozzles shown,  $k = 5.56$ ; each nozzle covers  $100.8 \text{ ft}^2$  at  $0.25 \text{ gpm/ft}^2 = 25.2 \text{ gpm}$  minimum

Nozzle Ident. & Location	Flow in gpm	Pipe Size (in.)	Pipe Fittings & Devices (ft)	Equiv. Pipe Length (ft)	Friction Loss (psi/ft)	Pressure Summary (psi)	Normal Pressure (psi)	Notes
1	$q$	1	1E	Lgth. 10.5	0.200	$P_t$ 20.5	$P_t$	$C = 120$ $P_t = (25.2/5.56)^2$ $= 20.5 \text{ psi}$
	$Q$ 25.2			Fig. 2.0		$P_e$ +0.2	$P_v$	
				Tot. 12.5		$P_f$ 2.5	$P_n$	
	$q$			Lgth. _____		$P_t$ 23.2	$P_t$	at A
	$Q$ _____			Fig. _____		$P_e$ _____	$P_v$	
				Tot. _____		$P_f$ _____	$P_n$	
2	$q$	1	1T	Lgth. 0.5	0.200	$P_t$ 20.5	$P_t$	$K = 25.2/\sqrt{21.7}$ $= 5.41$
	$Q$ 25.2			Fig. 5.0		$P_e$ +0.2	$P_v$	
				Tot. 5.5		$P_f$ 1.1	$P_n$	
	$q$			Lgth. _____		$P_t$ 21.7	$P_t$	
	$Q$ _____			Fig. _____		$P_e$ _____	$P_v$	
				Tot. _____		$P_f$ _____	$P_n$	
A	$q$ 26.1	1 1/2	1E	Lgth. 7.0	0.092	$P_t$ 23.2	$P_t$	$q_2 = 5.41/\sqrt{23.2}$
	$Q$ 25.2		1T	Fig. 12.0		$P_e$ -	$P_v$	
	$Q$ 51.3			Tot. 19.0		$P_f$ 1.7	$P_n$	
B	$q$ 51.3	1 1/2	1T	Lgth. 2.0	0.333	$P_t$ 24.9	$P_t$	
	$Q$ 102.6			Fig. 8.0		$P_e$ -	$P_v$	
				Tot. 10.0		$P_f$ 3.3	$P_n$	
	$q$			Lgth. _____		$P_t$ 28.2	$P_t$	at C
	$Q$ _____			Fig. _____		$P_e$ _____	$P_v$	
				Tot. _____		$P_f$ _____	$P_n$	
E	$q$	1 1/2		Lgth. 22.0	0.335	$P_t$ 28.5	$P_t$	
	$Q$ 103.0			Fig. 22.0		$P_e$ -6.5	$P_v$	
				Tot. 22.0		$P_f$ 7.4	$P_n$	
D	$q$ 54.3	1 1/2		Lgth. 1.0	0.734	$P_t$ 29.4	$P_t$	$q = 50.5(29.4/25.4)^{1/2}$ $= 54.3$
	$Q$ 157.3			Fig. -		$P_e$ -0.4	$P_v$	
				Tot. 1.0		$P_f$ 0.7	$P_n$	
C	$q$ 105.3	1 1/2	1T	Lgth. 18.0	1.893	$P_t$ 29.7	$P_t$	$q$ from B = $102.6(29.7/28.2)^{1/2}$ $= 105.1$
	$Q$ 262.6		1E	Fig. 12.0		$P_e$ -1.7	$P_v$	
				Tot. 30.0		$P_f$ 56.8	$P_n$	
F	$q$ 437.9	4	1E	Lgth. 25.0	0.134	$P_t$ 84.8	$P_t$	$q = 381.6(84.8/64.4)^{1/2}$ $= 437.9$
	$Q$ 700.5			Fig. 10.0		$P_e$ +5.2	$P_v$	
				Tot. 35.0		$P_f$ 4.7	$P_n$	
	$q$			Lgth. _____		$P_t$ 94.7	$P_t$	at G
	$Q$ _____			Fig. _____		$P_e$ _____	$P_v$	
				Tot. _____		$P_f$ _____	$P_n$	
	$q$			Lgth. _____		$P_t$ _____	$P_t$	
	$Q$ _____			Fig. _____		$P_e$ _____	$P_v$	
				Tot. _____		$P_f$ _____	$P_n$	
	$q$			Lgth. _____		$P_t$ _____	$P_t$	
	$Q$ _____			Fig. _____		$P_e$ _____	$P_v$	
				Tot. _____		$P_f$ _____	$P_n$	
	$q$			Lgth. _____		$P_t$ _____	$P_t$	
	$Q$ _____			Fig. _____		$P_e$ _____	$P_v$	
				Tot. _____		$P_f$ _____	$P_n$	
	$q$			Lgth. _____		$P_t$ _____	$P_t$	
	$Q$ _____			Fig. _____		$P_e$ _____	$P_v$	
				Tot. _____		$P_f$ _____	$P_n$	

**FIGURE B.2(j)** Calculation of System Shown in Figure B.2(b) with Velocity Pressure Not Included, US Units.

## Annex C Informational References

**C.1 Referenced Publications.** The documents or portions thereof listed in this annex are referenced within the informational sections of this standard and are not part of the requirements of this document unless also listed in Chapter 2 for other reasons.

**C.1.1 NFPA Publications.** National Fire Protection Association, 1 Batterymarch Park, Quincy, MA 02169-7471.

NFPA 13, *Standard for the Installation of Sprinkler Systems*, 2019 edition.

NFPA 14, *Standard for the Installation of Standpipe and Hose Systems*, 2019 edition.

NFPA 24, *Standard for the Installation of Private Fire Service Mains and Their Appurtenances*, 2019 edition.

NFPA 30, *Flammable and Combustible Liquids Code*, 2021 edition.

NFPA 68, *Standard on Explosion Protection by Deflagration Venting*, 2018 edition.

NFPA 69, *Standard on Explosion Prevention Systems*, 2019 edition.

NFPA 750, *Standard on Water Mist Fire Protection Systems*, 2019 edition.

NFPA 1964, *Standard for Spray Nozzles and Appliances*, 2018 edition.

*Fire Protection Guide to Hazardous Materials*, 2010 edition.

### C.1.2 Other Publications.

**C.1.2.1 ASME Publications.** American Society of Mechanical Engineers, Two Park Avenue, New York, NY 10016-5990.

ANSI/ASME B1.20.1, *Pipe Threads, General Purpose*, 1983.

*Transactions of the ASME*, “Requirements for relief of pressure in vessels exposed to fire,” “Venting of tanks exposed to fire,” and “Heat input to vessels,” pp. 1–53, January 1944.

**C.1.2.2 ASTM Publications.** ASTM International, 100 Barr Harbor Drive, P.O. Box C700, West Conshohocken, PA 19428-2959.

ASTM A135/A135M, *Standard Specification for Electric-Resistance-Welded Steel Pipe*, 2019.

**C.1.2.3 CSB Publications.** US Chemical Safety and Hazard Investigation Board, 1750 Pennsylvania Avenue, NW, Suite 910, Washington, DC 20006.

CSB Report No. 2004-10-I-IL, *Vinyl Chloride and Monomer Explosion*, March 2007.

**C.1.2.4 NIST Publications.** National Institute of Standards and Technology, 100 Bureau Drive, Stop 1070, Gaithersburg, MD 20899-1070.

Mawhinney, J. R. “Engineering Criteria for Water Mist Fire Suppression Systems.” Presented at Water Mist Fire Suppression Workshop, March 1–2, 1993.

**C.1.2.5 NTIS Publications.** National Technical Information Service, 5301 Shawnee Road, Alexandria, VA 22312.

US Department of Defense Standard DOD 6055.9-STD, *Ammunition and Explosives Safety Standards*.

### C.1.2.6 Other Publications.

Rubber Reserve Company Memorandum 123, “Protection of Vessels Exposed to Fire.”

**C.2 Informational References.** The following documents or portions thereof are listed here as informational resources only. They are not a part of the requirements of this document.

*Requirements for Relief of Overpressure in Vessels Exposed to Fire*, J. J. Duggan, C. H. Gilmour, P. F. Fisher.

Rubber Reserve Company Memorandum 89, November 19, 1944, “Heat Input to Vessels.”

*Sprinkler Hydraulics and What It’s All About*, Harold S. Wass, Jr., Society of Fire Protection Engineers, April 2000.

### C.3 References for Extracts in Informational Sections.

NFPA 30, *Flammable and Combustible Liquids Code*, 2018 edition.

## Index

Copyright © 2021 National Fire Protection Association. All Rights Reserved.

The copyright in this index is separate and distinct from the copyright in the document that it indexes. The licensing provisions set forth for the document are not applicable to this index. This index may not be reproduced in whole or in part by any means without the express written permission of NFPA.

- A-
- Administration**, Chap. 1
  - Application, 1.3
  - Equivalency, 1.5
  - Purpose, 1.2
  - Retroactivity, 1.4
  - Scope, 1.1
  - Units and Formulas, 1.6
- Approved**
  - Definition, 3.2.1, A.3.2.1
- Authority Having Jurisdiction (AHJ)**
  - Definition, 3.2.2, A.3.2.2
- C-
- Combined System**
  - Definition, 3.3.1
- Combustible Liquid**
  - Definition, 3.3.2, A.3.3.2
- Control of Burning**
  - Definition, 3.3.3
- D-
- Definitions**, Chap. 3
- Deflagration**
  - Definition, 3.3.4
- Density**
  - Definition, 3.3.5
- Design Objectives**, Chap. 7
  - Automatic Detection Equipment, 7.7
    - General, 7.7.1, A.7.7.1
    - Response Time, 7.7.4, A.7.7.4
  - Combined Systems, 7.6
    - Design, 7.6.2, A.7.6.2
    - General, 7.6.1, A.7.6.1
  - Control of Burning, 7.3
    - Flammable and Combustible Liquid Pool Fires, 7.3.3
      - General, 7.3.1
    - Pumps, Compressors, and Related Equipment, 7.3.2, A.7.3.2
  - Exposure Protection, 7.4
    - General, 7.4.1, A.7.4.1
  - Structures and Miscellaneous Equipment, 7.4.3
    - Alternative Engineering Analysis for Horizontal Structural Steel, 7.4.3.3
    - Alternative Engineering Analysis for Vertical Structural Steel, 7.4.3.6
    - Cable Trays and Cable Runs, 7.4.3.8
      - Flame Shield Use, 7.4.3.8.3
    - Horizontal Structural Steel, 7.4.3.1, A.7.4.3.1
    - Metal Pipe, Tubing, and Conduit, 7.4.3.7
    - Vertical Structural Steel, 7.4.3.4, A.7.4.3.4
  - Transformers, 7.4.4
    - Application and Protection, 7.4.4.3
  - Vessels, 7.4.2, A.7.4.2
- Extinguishment, 7.2
  - Belt Conveyors, 7.2.3
    - Conveyor Belt, 7.2.3.3
    - Drive Unit, 7.2.3.2, A.7.2.3.2
    - General, 7.2.3.1
  - Cable Trays and Cable Runs, 7.2.2
    - General, 7.2.1
      - Design Density, 7.2.1.3, A.7.2.1.3
      - Design Objective, 7.2.1.1
      - Extinguishment Methods, 7.2.1.2, A.7.2.1.2
  - Flammable Vapor Mitigation, 7.5, A.7.5
    - Design for Vapor Mitigation, 7.5.1, A.7.5.1
    - Fire Risk Analysis, 7.5.9
    - Notification of Personnel, 7.5.8
  - System Design, 7.1
    - Size of System and Water Demand, 7.1.10
- Detection Equipment**
  - Automatic Detection Equipment
    - Definition, 3.3.6.1
  - Definition, 3.3.6
  - Flammable Gas Detection Equipment
    - Definition, 3.3.6.2
- Detonation**
  - Definition, 3.3.7
- E-
- Electrical Clearance**
  - Definition, 3.3.8
- Explanatory Material**, Annex A
- Exposure Protection**
  - Definition, 3.3.9
- F-
- Fire Area**
  - Definition, 3.3.10, A.3.3.10
- Flammable Liquid**
  - Definition, 3.3.11, A.3.3.11
- G-
- General Requirements**, Chap. 4
  - Control of Runoff, 4.4
  - Design Objectives, 4.1, A.4.1
  - Flammable and Combustible Liquids, 4.5
  - Qualifications, 4.3, A.4.3
  - Special Considerations, 4.2
    - Water Soluble Materials, 4.2.4

- H-**
- Hazard Analysis**  
Definition, 3.3.12
- Hydraulic Calculations, Annex B**  
Forms for Hydraulic Calculations, B.1  
Sample Calculations, B.2
- I-**
- Impingement**  
Definition, 3.3.13
- Informational References, Annex C**
- Installation Requirements, Chap. 6**  
Automatic Detection Equipment, 6.5  
Arrangement and Supervision of Systems, 6.5.3  
Electrical Systems, 6.5.3.1  
Pneumatic and Hydraulic Systems, 6.5.3.2  
Protection, 6.5.1  
Corrosion Protection, 6.5.1.1  
Mechanical Damage, 6.5.1.3, A.6.5.1.3  
Mounting, 6.5.1.4  
Pilot Sprinklers, 6.5.1.5  
Protective Canopy, 6.5.1.2  
Selection, Location, and Spacing of Detectors, 6.5.2  
Flammable Gas Detectors, 6.5.2.7, A.6.5.2.7  
Outdoor Detector Spacing, 6.5.2.3, A.6.5.2.3  
Pilot-Type Sprinklers, 6.5.2.4  
Radiant Energy-Sensing Fire Detectors, 6.5.2.8  
Special Situations, 6.5.2.5  
Open-Sided Buildings, 6.5.2.5.1  
Under Open Gratings, 6.5.2.5.2  
Two or More Systems, 6.5.2.6  
Basic Requirements, 6.1  
Electrical Clearances, 6.1.2, A.6.1.2  
Hazardous Locations, 6.1.1  
Piping Installation, 6.3  
Pipe Support, 6.3.2  
Piping Drainage, 6.3.3  
Auxiliary Drains, 6.3.3.8  
Protection Against Damage Where Subject to Earthquakes, 6.3.5  
Protection Against Freezing, 6.3.4  
Protection of Piping Against Damage Where Explosion Potential Exists, 6.3.6, A.6.3.6  
Valves, 6.3.1  
Location of System Actuation Valves, 6.3.1.4  
Valve Supervision, 6.3.1.2  
Water Supply Control Valves, 6.3.1.1  
System Attachments, 6.4  
Alarm Test Connection for Wet Pipe Systems, 6.4.5  
Alarms, 6.4.1  
Fire Department Connections, 6.4.3, A.6.4.3  
Gauges, 6.4.4  
Remote Manual Actuation, 6.4.2  
Strainers, 6.4.6  
Water Spray Nozzles, 6.2  
Selection, 6.2.1, A.6.2.1  
Temperature Rating, 6.2.2
- L-**
- Insulation**  
Definition, 3.3.14  
Insulated  
Definition, 3.3.14.1, A.3.3.14.1  
Uninsulated  
Definition, 3.3.14.2
- N-**
- Listed**  
Definition, 3.2.3, A.3.2.3
- Net Rate**  
Definition, 3.3.15
- Nonabsorbing Ground**  
Definition, 3.3.16, A.3.3.16
- P-**
- Pilot Sprinkler**  
Definition, 3.3.17
- Plans and Hydraulic Calculations, Chap. 8**  
General, 8.1  
Hydraulic Calculation Procedures, 8.5  
Calculation Procedure, 8.5.3, A.8.5.3  
Equivalent Pipe Lengths of Valves and Fittings, 8.5.2  
Formulae, 8.5.1  
Friction Loss Formula, 8.5.1.1  
Hydraulic Junction Points, 8.5.1.4  
Normal Pressure Formula, 8.5.1.3  
Nozzle Discharge Formula, 8.5.1.5  
Velocity Pressure Formula, 8.5.1.2, A.8.5.1.2  
Hydraulic Calculations, 8.3, A.8.3  
Detailed Worksheets, 8.3.3  
Graph Sheet, 8.3.4, A.8.3.4  
Summary Sheet, 8.3.2  
Water Supply Information, 8.4  
Working Plans, 8.2  
General, 8.2.1
- Q-**
- Qualified**  
Definition, 3.3.18
- R-**
- Referenced Publications, Chap. 2**
- Rundown**  
Definition, 3.3.19
- S-**
- Shall**  
Definition, 3.2.4
- Should**  
Definition, 3.2.5
- Standard**  
Definition, 3.2.6
- System Acceptance, Chap. 10**  
Certification, 10.1, A.10.1

- Flushing of Supply Pipe, 10.2
  - General Information Sign, 10.6
  - Hydraulic Design Information Sign, 10.5
  - Hydrostatic Pressure Tests, 10.3
  - Operating Tests, 10.4
    - Discharge Tests on Systems with Open Nozzles, 10.4.3
      - Pressure Readings, 10.4.3.2
    - Manual Operation, 10.4.4
    - Multiple Systems, 10.4.5
    - Performance, 10.4.1
    - Response Time, 10.4.2, A.10.4.2
  - System Components, Chap. 5**
    - Alarms, 5.11
    - Detection Systems, 5.12
    - Fire Department Connections, 5.10
    - Fittings, 5.4
      - Couplings and Unions, 5.4.8
      - Reducers and Bushings, 5.4.9
    - General, 5.1
    - Hangers, 5.6
      - General, 5.6.1
    - Joining of Pipe and Fittings, 5.5
      - Brazed Joints, 5.5.4, A.5.5.4
        - Qualifications, 5.5.4.9
        - Records, 5.5.4.9.5
      - End Treatment, 5.5.6
      - Groove Joining Methods, 5.5.3
      - Other Types, 5.5.5
      - Threaded Pipe and Fittings, 5.5.1
      - Welded Pipe and Fittings, 5.5.2, A.5.5.2
        - Fabrication, 5.5.2.2
        - Fittings, 5.5.2.3
          - General, 5.5.2.1
          - Qualifications, 5.5.2.5
          - Records, 5.5.2.6
        - Welding Requirements, 5.5.2.4
    - Pipe and Tube, 5.3
      - Corrosion Protection, 5.3.7
      - Minimum Pipe Size, 5.3.8
      - Pipe Bending, 5.3.9
      - Pipe Identification, 5.3.10
      - Steel Piping, 5.3.6
    - Pressure Gauges, 5.8
    - Strainers, 5.9
    - Valves, 5.7
      - Control Valves, 5.7.1
      - Drain Valves and Test Valves, 5.7.3
      - Identification of Valves, 5.7.4
      - System Actuation Valves, 5.7.2
    - Water Spray Nozzles, 5.2
      - Guards, 5.2.4
      - Special Coatings, 5.2.3
        - Corrosion-Resistant Coatings, 5.2.3.2
        - Painting, 5.2.3.3, A.5.2.3.3
      - Stock of Spare Automatic Water Spray Nozzles and Pilot Sprinklers, 5.2.5, A.5.2.5
  - System Inspection, Testing, and Maintenance, Chap. 11**
    - General, 11.1
- U-**
- Ultra-High-Speed Water Spray System**
    - Definition, 3.3.20
    - Ultra-High-Speed Water Spray System — Area Application
      - Definition, 3.3.20.1
    - Ultra-High-Speed Water Spray System — Local Application
      - Definition, 3.3.20.2
  - Ultra-High-Speed Water Spray Systems, Chap. 12**
    - Design Considerations, 12.3
      - Control Panel, 12.3.15
      - Design Pressure, 12.3.3
      - Detection, 12.3.14
        - Detection for Area Application, 12.3.14.4
        - Detection for Local Application, 12.3.14.3
        - General, 12.3.14.1
      - Discharge Delays, 12.3.8
        - Timers, 12.3.8.1
        - Water Supply, 12.3.8.2, A.12.3.8.2
      - Duration, 12.3.5
      - Fire Hose Connection, 12.3.6
      - Flow and Density, 12.3.2
        - Area Application, 12.3.2.3, A.12.3.2.3
        - Local Application, 12.3.2.1
      - Nozzle Placement, 12.3.9
      - Pipe Support, 12.3.12, A.12.3.12
      - Piping, 12.3.11
      - Strainers, 12.3.13
      - System Actuation Valves and Accessories, 12.3.10, A.12.3.10
      - System Operation, 12.3.7
      - System Types, 12.3.1
        - Dual Application System, 12.3.1.3, A.12.3.1.3
        - Personnel Protection, 12.3.1.4, A.12.3.1.4
        - Ultra-High-Speed Area-Application Water Spray System, 12.3.1.2, A.12.3.1.2
        - Ultra-High-Speed Local-Application Water Spray System, 12.3.1.1, A.12.3.1.1
      - System Volume Limitation, 12.3.4, A.12.3.4
      - Wiring, 12.3.16
    - General, 12.1, A.12.1
    - Response Time, 12.2
    - System Acceptance, 12.4, A.12.4
    - Testing and Maintenance, 12.5
- V-**
- Valve**
    - Definition, 3.3.21
    - Deluge Valve
      - Definition, 3.3.21.1
    - System Actuation Valve
      - Definition, 3.3.21.2
- W-**
- Water Spray**
    - Definition, 3.3.22



**Water Spray Nozzle**

Automatic Water Spray Nozzle

Definition, 3.3.23.1

Definition, 3.3.23

Open Water Spray Nozzle

Definition, 3.3.23.2, A.3.3.23.2

**Water Spray System**

Definition, 3.3.24, A.3.3.24

**Water Supplies, Chap. 9**

Acceptable Water Supply Systems, 9.3

General, 9.1

Volume and Pressure, 9.2

**Water Wastage**

Definition, 3.3.25, A.3.3.25

## Sequence of Events for the Standards Development Process

Once the current edition is published, a Standard is opened for Public Input.

### Step 1 – Input Stage

- Input accepted from the public or other committees for consideration to develop the First Draft
- Technical Committee holds First Draft Meeting to revise Standard (23 weeks); Technical Committee(s) with Correlating Committee (10 weeks)
- Technical Committee ballots on First Draft (12 weeks); Technical Committee(s) with Correlating Committee (11 weeks)
- Correlating Committee First Draft Meeting (9 weeks)
- Correlating Committee ballots on First Draft (5 weeks)
- First Draft Report posted on the document information page

### Step 2 – Comment Stage

- Public Comments accepted on First Draft (10 weeks) following posting of First Draft Report
- If Standard does not receive Public Comments and the Technical Committee chooses not to hold a Second Draft meeting, the Standard becomes a Consent Standard and is sent directly to the Standards Council for issuance (see Step 4) or
- Technical Committee holds Second Draft Meeting (21 weeks); Technical Committee(s) with Correlating Committee (7 weeks)
- Technical Committee ballots on Second Draft (11 weeks); Technical Committee(s) with Correlating Committee (10 weeks)
- Correlating Committee Second Draft Meeting (9 weeks)
- Correlating Committee ballots on Second Draft (8 weeks)
- Second Draft Report posted on the document information page

### Step 3 – NFPA Technical Meeting

- Notice of Intent to Make a Motion (NITMAM) accepted (5 weeks) following the posting of Second Draft Report
- NITMAMs are reviewed and valid motions are certified by the Motions Committee for presentation at the NFPA Technical Meeting
- NFPA membership meets each June at the NFPA Technical Meeting to act on Standards with “Certified Amending Motions” (certified NITMAMs)
- Committee(s) vote on any successful amendments to the Technical Committee Reports made by the NFPA membership at the NFPA Technical Meeting

### Step 4 – Council Appeals and Issuance of Standard

- Notification of intent to file an appeal to the Standards Council on Technical Meeting action must be filed within 20 days of the NFPA Technical Meeting
- Standards Council decides, based on all evidence, whether to issue the standard or to take other action

#### Notes:

1. Time periods are approximate; refer to published schedules for actual dates.
2. Annual revision cycle documents with certified amending motions take approximately 101 weeks to complete.
3. Fall revision cycle documents receiving certified amending motions take approximately 141 weeks to complete.

## Committee Membership Classifications<sup>1,2,3,4</sup>

The following classifications apply to Committee members and represent their principal interest in the activity of the Committee.

1. M *Manufacturer*: A representative of a maker or marketer of a product, assembly, or system, or portion thereof, that is affected by the standard.
2. U *User*: A representative of an entity that is subject to the provisions of the standard or that voluntarily uses the standard.
3. IM *Installer/Maintainer*: A representative of an entity that is in the business of installing or maintaining a product, assembly, or system affected by the standard.
4. L *Labor*: A labor representative or employee concerned with safety in the workplace.
5. RT *Applied Research/Testing Laboratory*: A representative of an independent testing laboratory or independent applied research organization that promulgates and/or enforces standards.
6. E *Enforcing Authority*: A representative of an agency or an organization that promulgates and/or enforces standards.
7. I *Insurance*: A representative of an insurance company, broker, agent, bureau, or inspection agency.
8. C *Consumer*: A person who is or represents the ultimate purchaser of a product, system, or service affected by the standard, but who is not included in (2).
9. SE *Special Expert*: A person not representing (1) through (8) and who has special expertise in the scope of the standard or portion thereof.

NOTE 1: “Standard” connotes code, standard, recommended practice, or guide.

NOTE 2: A representative includes an employee.

NOTE 3: While these classifications will be used by the Standards Council to achieve a balance for Technical Committees, the Standards Council may determine that new classifications of member or unique interests need representation in order to foster the best possible Committee deliberations on any project. In this connection, the Standards Council may make such appointments as it deems appropriate in the public interest, such as the classification of “Utilities” in the National Electrical Code Committee.

NOTE 4: Representatives of subsidiaries of any group are generally considered to have the same classification as the parent organization.

## ***Submitting Public Input / Public Comment Through the Online Submission System***

Following publication of the current edition of an NFPA standard, the development of the next edition begins and the standard is open for Public Input.

### **Submit a Public Input**

NFPA accepts Public Input on documents through our online submission system at [www.nfpa.org](http://www.nfpa.org). To use the online submission system:

- Choose a document from the List of NFPA codes & standards or filter by Development Stage for “codes accepting public input.”
- Once you are on the document page, select the “Next Edition” tab.
- Choose the link “The next edition of this standard is now open for Public Input.” You will be asked to sign in or create a free online account with NFPA before using this system.
- Follow the online instructions to submit your Public Input (see [www.nfpa.org/publicinput](http://www.nfpa.org/publicinput) for detailed instructions).
- Once a Public Input is saved or submitted in the system, it can be located on the “My Profile” page by selecting the “My Public Inputs/Comments/NITMAMs” section.

### **Submit a Public Comment**

Once the First Draft Report becomes available there is a Public Comment period. Any objections or further related changes to the content of the First Draft must be submitted at the Comment Stage. To submit a Public Comment follow the same steps as previously explained for the submission of Public Input.

### **Other Resources Available on the Document Information Pages**

**Header:** View document title and scope, access to our codes and standards or NFCSS subscription, and sign up to receive email alerts.



Current & Prior Editions

Research current and previous edition information.



Next Edition

Follow the committee’s progress in the processing of a standard in its next revision cycle.



Technical Committee

View current committee rosters or apply to a committee.



Ask a Technical Question

For members, officials, and AHJs to submit standards questions to NFPA staff. Our Technical Questions Service provides a convenient way to receive timely and consistent technical assistance when you need to know more about NFPA standards relevant to your work.



News

Provides links to available articles and research and statistical reports related to our standards.



Purchase Products & Training

Discover and purchase the latest products and training.



Related Products

View related publications, training, and other resources available for purchase.

## ***Information on the NFPA Standards Development Process***

**I. Applicable Regulations.** The primary rules governing the processing of NFPA standards (codes, standards, recommended practices, and guides) are the NFPA *Regulations Governing the Development of NFPA Standards (Regs)*. Other applicable rules include NFPA *Bylaws*, NFPA *Technical Meeting Convention Rules*, NFPA *Guide for the Conduct of Participants in the NFPA Standards Development Process*, and the NFPA *Regulations Governing Petitions to the Board of Directors from Decisions of the Standards Council*. Most of these rules and regulations are contained in the *NFPA Standards Directory*. For copies of the *Directory*, contact Codes and Standards Administration at NFPA headquarters; all these documents are also available on the NFPA website at “[www.nfpa.org/regs](http://www.nfpa.org/regs).”

The following is general information on the NFPA process. All participants, however, should refer to the actual rules and regulations for a full understanding of this process and for the criteria that govern participation.

**II. Technical Committee Report.** The Technical Committee Report is defined as “the Report of the responsible Committee(s), in accordance with the Regulations, in preparation of a new or revised NFPA Standard.” The Technical Committee Report is in two parts and consists of the First Draft Report and the Second Draft Report. (See *Regs* at Section 1.4.)

**III. Step 1: First Draft Report.** The First Draft Report is defined as “Part one of the Technical Committee Report, which documents the Input Stage.” The First Draft Report consists of the First Draft, Public Input, Committee Input, Committee and Correlating Committee Statements, Correlating Notes, and Ballot Statements. (See *Regs* at 4.2.5.2 and Section 4.3.) Any objection to an action in the First Draft Report must be raised through the filing of an appropriate Comment for consideration in the Second Draft Report or the objection will be considered resolved. [See *Regs* at 4.3.1(b).]

**IV. Step 2: Second Draft Report.** The Second Draft Report is defined as “Part two of the Technical Committee Report, which documents the Comment Stage.” The Second Draft Report consists of the Second Draft, Public Comments with corresponding Committee Actions and Committee Statements, Correlating Notes and their respective Committee Statements, Committee Comments, Correlating Revisions, and Ballot Statements. (See *Regs* at 4.2.5.2 and Section 4.4.) The First Draft Report and the Second Draft Report together constitute the Technical Committee Report. Any outstanding objection following the Second Draft Report must be raised through an appropriate Amending Motion at the NFPA Technical Meeting or the objection will be considered resolved. [See *Regs* at 4.4.1(b).]

**V. Step 3a: Action at NFPA Technical Meeting.** Following the publication of the Second Draft Report, there is a period during which those wishing to make proper Amending Motions on the Technical Committee Reports must signal their intention by submitting a Notice of Intent to Make a Motion (NITMAM). (See *Regs* at 4.5.2.) Standards that receive notice of proper Amending Motions (Certified Amending Motions) will be presented for action at the annual June NFPA Technical Meeting. At the meeting, the NFPA membership can consider and act on these Certified Amending Motions as well as Follow-up Amending Motions, that is, motions that become necessary as a result of a previous successful Amending Motion. (See 4.5.3.2 through 4.5.3.6 and Table 1, Columns 1-3 of *Regs* for a summary of the available Amending Motions and who may make them.) Any outstanding objection following action at an NFPA Technical Meeting (and any further Technical Committee consideration following successful Amending Motions, see *Regs* at 4.5.3.7 through 4.6.5) must be raised through an appeal to the Standards Council or it will be considered to be resolved.

**VI. Step 3b: Documents Forwarded Directly to the Council.** Where no NITMAM is received and certified in accordance with the *Technical Meeting Convention Rules*, the standard is forwarded directly to the Standards Council for action on issuance. Objections are deemed to be resolved for these documents. (See *Regs* at 4.5.2.5.)

**VII. Step 4a: Council Appeals.** Anyone can appeal to the Standards Council concerning procedural or substantive matters related to the development, content, or issuance of any document of the NFPA or on matters within the purview of the authority of the Council, as established by the *Bylaws* and as determined by the Board of Directors. Such appeals must be in written form and filed with the Secretary of the Standards Council (see *Regs* at Section 1.6). Time constraints for filing an appeal must be in accordance with 1.6.2 of the *Regs*. Objections are deemed to be resolved if not pursued at this level.

**VIII. Step 4b: Document Issuance.** The Standards Council is the issuer of all documents (see Article 8 of *Bylaws*). The Council acts on the issuance of a document presented for action at an NFPA Technical Meeting within 75 days from the date of the recommendation from the NFPA Technical Meeting, unless this period is extended by the Council (see *Regs* at 4.7.2). For documents forwarded directly to the Standards Council, the Council acts on the issuance of the document at its next scheduled meeting, or at such other meeting as the Council may determine (see *Regs* at 4.5.2.5 and 4.7.4).

**IX. Petitions to the Board of Directors.** The Standards Council has been delegated the responsibility for the administration of the codes and standards development process and the issuance of documents. However, where extraordinary circumstances requiring the intervention of the Board of Directors exist, the Board of Directors may take any action necessary to fulfill its obligations to preserve the integrity of the codes and standards development process and to protect the interests of the NFPA. The rules for petitioning the Board of Directors can be found in the *Regulations Governing Petitions to the Board of Directors from Decisions of the Standards Council* and in Section 1.7 of the *Regs*.

**X. For More Information.** The program for the NFPA Technical Meeting (as well as the NFPA website as information becomes available) should be consulted for the date on which each report scheduled for consideration at the meeting will be presented. To view the First Draft Report and Second Draft Report as well as information on NFPA rules and for up-to-date information on schedules and deadlines for processing NFPA documents, check the NFPA website ([www.nfpa.org/docinfo](http://www.nfpa.org/docinfo)) or contact NFPA Codes & Standards Administration at (617) 984-7246.



**DIGITAL ACCESS TO  
NFPA CODES AND  
STANDARDS.  
AT WORK. AND AT  
YOUR FINGERTIPS.**

**SUBSCRIPTIONS STARTING  
AS LOW AS \$9.99/MONTH.**

**Presenting NFPA LiNK™.** NFPA LiNK™ provides digital access to codes and standards. Find, bookmark, organize, and share knowledge anytime and anywhere. Transform the speed, accuracy, and efficiency of your work.

**Learn more at [NFPA.org/LiNK](https://www.nfpa.org/LiNK)**

**NFPA  
LiNK™**



## ویدیو - انیمیشن های اطفاء، اعلام حریق، تهویه و تخلیه دود (رایگان)

برای مشاهده هر یک از ویدیوهای زیر کافیست بر روی عنوان آن آموزش کلیک نمایید تا به صفحه ویدیو و آموزش آن عنوان هدایت شوید.

### انیمیشن ویدیو

- [اطفای حریق آبی](#)
  - [سیستم اطفای لوله خشک اسپرینکلر](#)
  - [سیستم اطفای لوله تر اسپرینکلر](#)
  - [سیستم اطفای پیش عملگر](#)
  - [سیستم اطفای واترمیس](#)
  - [سیستم اطفای سیلابی](#)
- [سیستم اطفای فوم](#)
- [تجهیزات اطفای حریق - تجهیزات هشدار دهنده](#)
- [تجهیزات اطفای حریق - اسپرینکلر](#)
- [سیستم اطفای آشپزخانه صنعتی](#)
- [سیستم اطفای آبروسل](#)
- [سیستم اطفای دستی](#)
- [سیستم اطفای گازی](#)
- [سیستم اطفای FM200 , NOVEC, Inert Gas \(IG\)](#)
- [سیستم اطفای CO<sub>2</sub>](#)
- [سیستم تهویه و تخلیه دود](#)
- [سیستم اعلام حریق](#)
  - آدرس پذیر
  - متعارف

### آموزش استاندارد

- [آموزش استاندارد NFPA 13](#)
- [آموزش استاندارد NFPA 14](#)
- [آموزش استاندارد NFPA 20](#)





### آموزش نرم افزار

- اتواسپرینک
- پایروسیم
- پث فایندر

### دانلود استاندارد

- ترجمه استاندارد NFPA 30,14,13,10
- تمامی استانداردهای NFPA & FM
- ترجمه استاندارد NFPA 1037

### محصولات

- اتواسپرینک ۲۰۱۳ و ۲۰۱۹ به زبان فارسی برای اولین بار در ایران
- آلام کد ۲۰۱۹ به زبان فارسی برای اولین بار در ایران
- اطفا حریق آبی
- پایپنت (ماژول اسپرینکلر)
- کانتم

### دوره های حضوری

- آموزش اتواسپرینک
- آموزش آلام کد
- آموزش پایروسیم
- آموزش کانتم + اگزاست
- آموزش اطفا آبی + پمپ + بازدید از کارگاه
- آموزش اطفا گازی
- آموزش اطفا فوم
- آموزش مبحث سوم مقررات ملی
- آموزش اعلام حریق F&G
- آموزش اعلام حریق آدرس پذیر
- آموزش اعلام حریق متعارف
- دوره آمادگی آزمون آتش نشانی (برق، مکانیک، عمران، معماری)





آموزشگاه ادوفایر  
**EDUFIRE**

All **NFPA** & **FM** STANDARDS

 **EDUFIRE\_NFPA**

 **EDUFIRE.IR**

 Latest Version

**FREE**

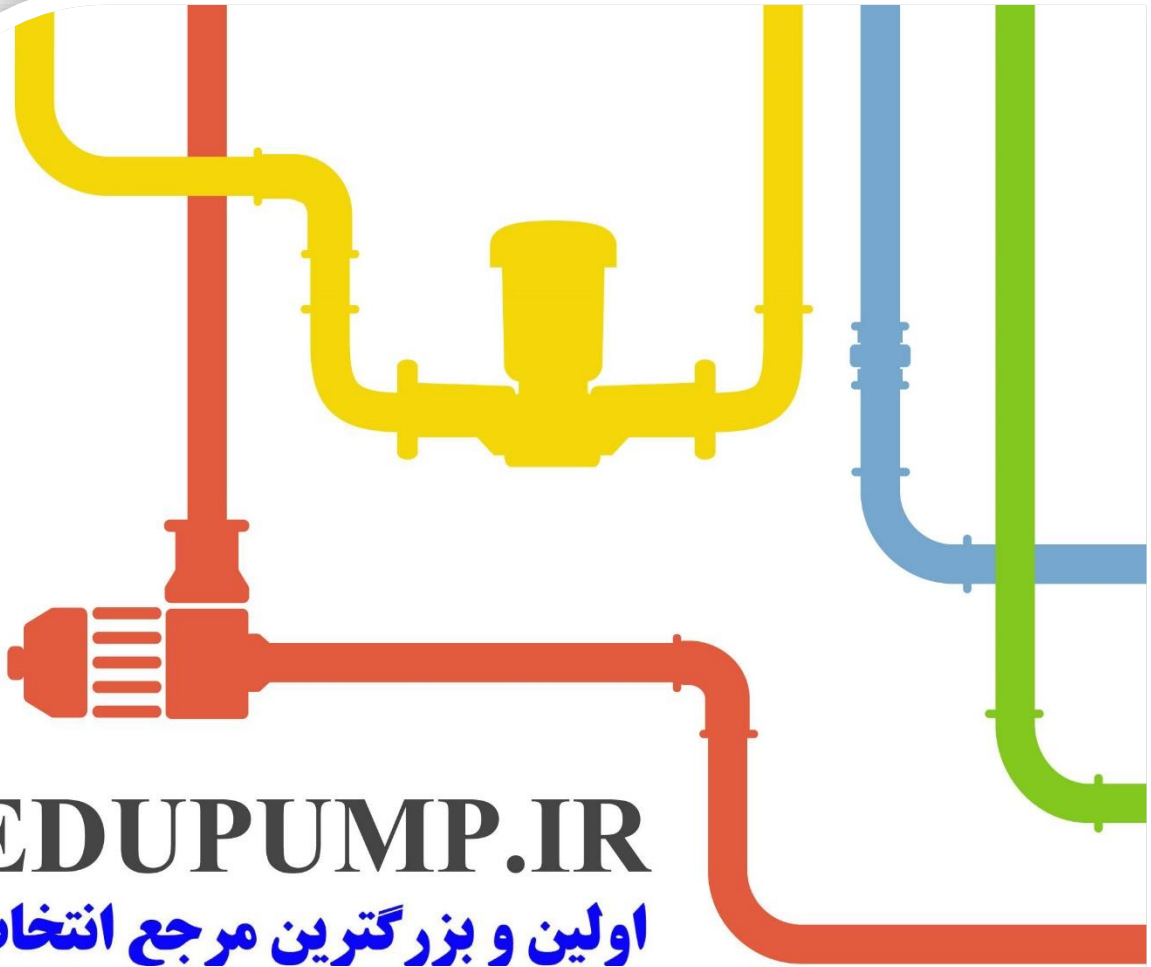
    
**EDUFIRE.IR**

۰۲۱-۷۷۶۸۶۹۶۶ - ۰۹۳۵۱۲۵۳۳۶۶

[WWW.EDUFIRE.IR](http://WWW.EDUFIRE.IR)







# EDUPUMP.IR

اولین و بزرگترین مرجع انتخاب  
آنلاین سیستم‌های پمپاژ در ایران

### انتخاب آنلاین انواع الکتروپمپ :

- الکتروپمپ اطفاء حریق در ۳ کلاس تصرف S۱ - S۲ - S۳

- الکتروپمپ زمینی

- الکتروپمپ طبقاتی عمودی

- الکتروپمپ طبقاتی افقی

- الکتروپمپ خطی

- الکتروپمپ کفکش

- الکتروپمپ لیجنش

- الکتروپمپ شناور

- الکتروپمپ استخری

### انتخاب آنلاین بوسترپمپ :

- بر اساس نوع فضای کاربری

- بر اساس اطلاعات بوسترپمپ

ارائه مقالات و مطالب آموزشی  
سیستم آب و فاضلاب



ارائه مقالات و مطالب آموزشی  
سیستم اطفاء حریق و مهندسی ایمنی

دانلود کاتالوگ تفکیک شده  
به ازای هر الکتروپمپ



مشاهده اطلاعات مربوط  
به هر الکتروپمپ





# پیشگامان صنعت و ایمنی پرگاس

PISHGAMAN SANAAT & IMENI PERGAS



**طراح، مشاور و مجری سیستم‌های ایمنی و تاسیساتی**  
دارای صلاحیت سازمان آتش‌نشانی تهران  
اخذ تاییدیه آتش‌نشانی

برای اطلاعات بیشتر اسکن کنید



تهران . خیابان سعدی شمالی . خیابان

شهید همدانی نور . پلاک ۳۱ . واحد ۱



[WWW.PERGAS-CO.IR](http://WWW.PERGAS-CO.IR)

[INFO@PERGAS-CO.IR](mailto:INFO@PERGAS-CO.IR)



۷۷۶۸۶۹۶۶



۷۷۶۷۸۶۵۹



۰۲۱-۷۷۶۸۶۹۶۶ - ۰۹۳۵۱۲۵۳۳۶۶

[WWW.EDUFIRE.IR](http://WWW.EDUFIRE.IR)

